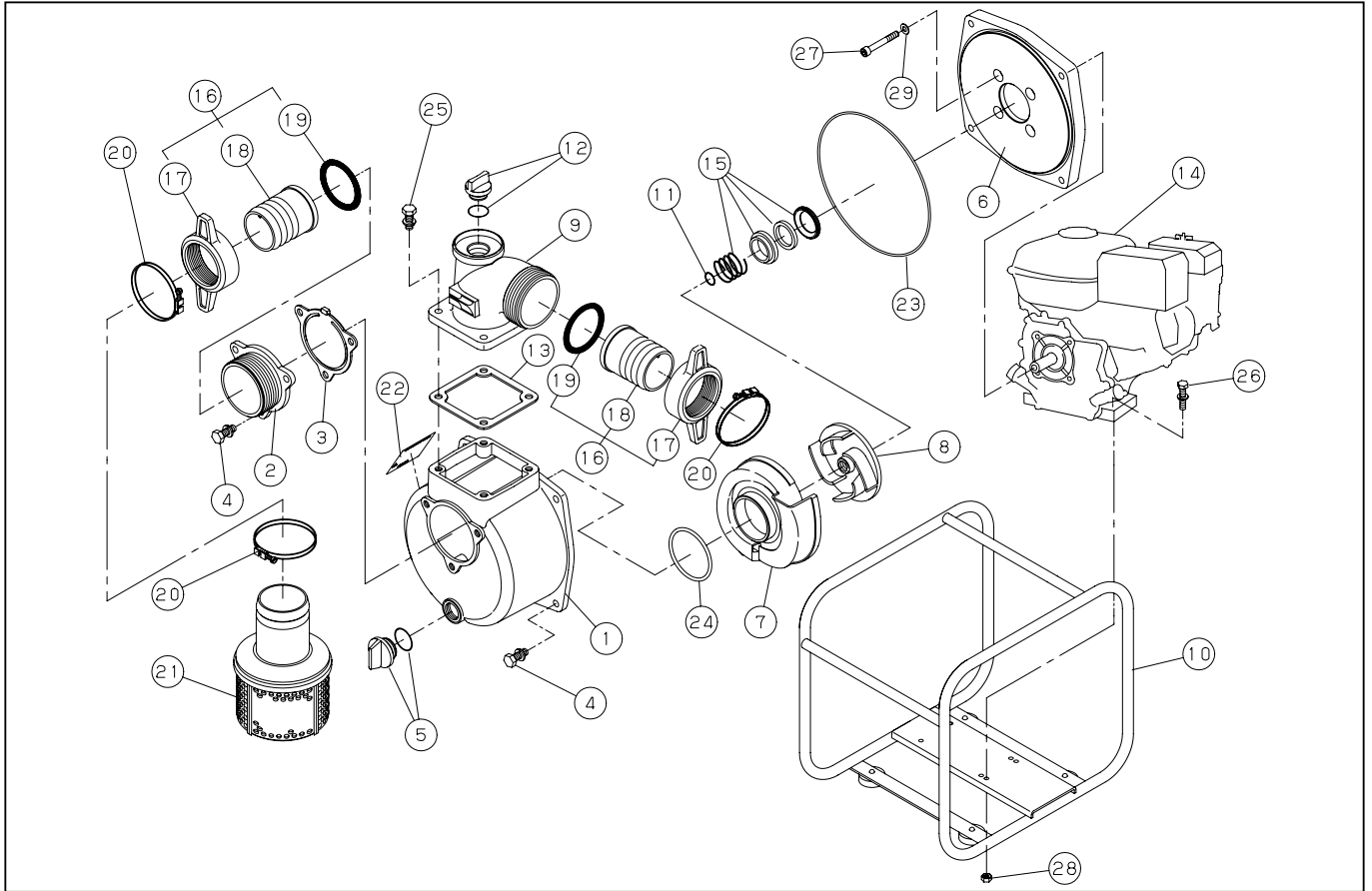


SEM-80X

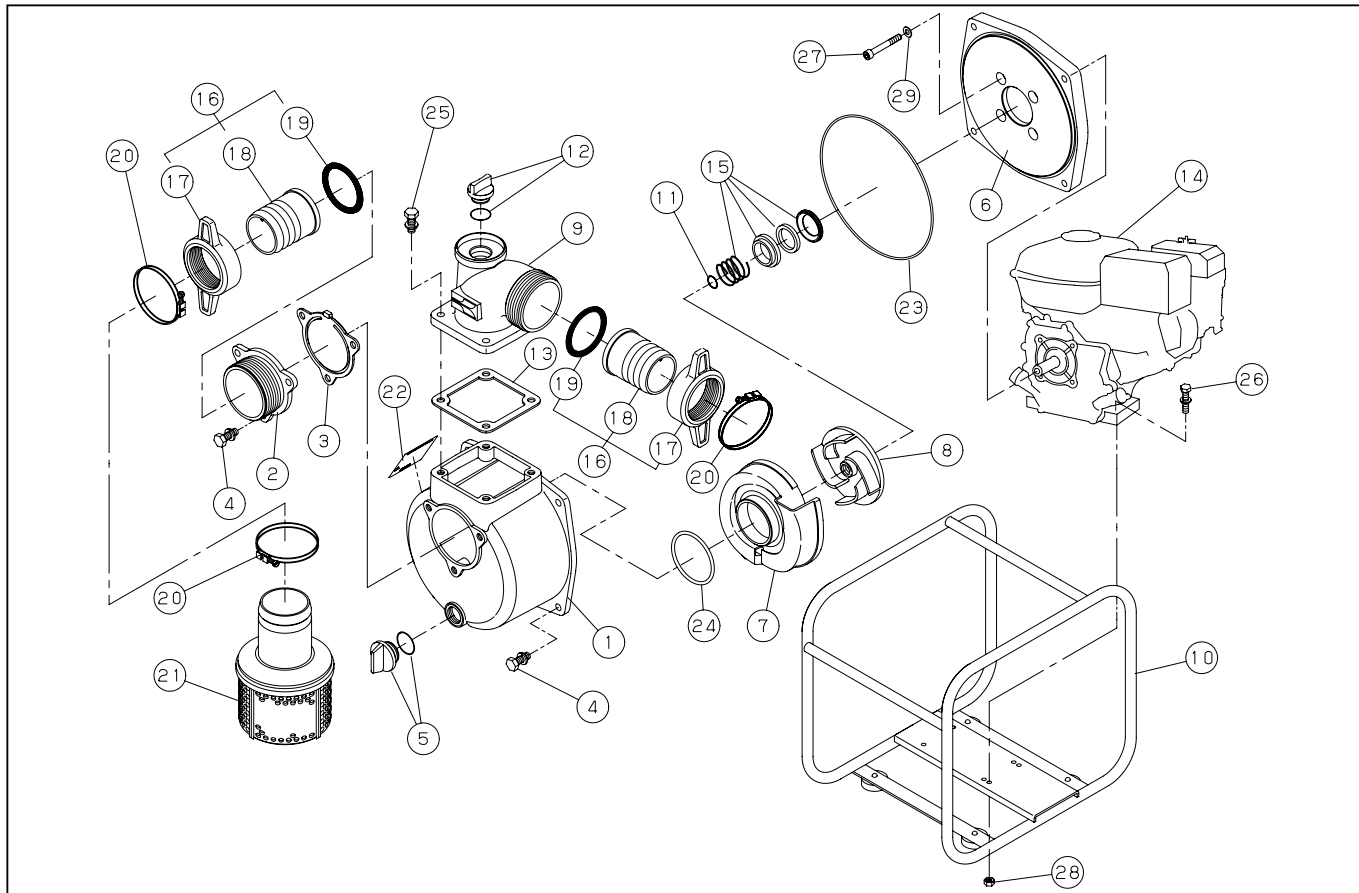


DWG No.011944516 MODEL:SEM-80X (GM182PN) FORM:SEM-80X-BAC-5

No.	PARTS CODE	PARTS NAME	QTY	MATERIAL	SIZE	REMARKS	PRICE (JPNY)
1	012019601	PUMP CASING	1	ADC			
2	011279701	SUCTION FLANGE	1	ADC			
3	011279901	CHECK VALVE	1	NBR			
4	743119061	HEXAGON BOLT	7	SWRM	M10X25		
5	011807802	20A PLUG SET	1				
6	011279601	FLANGE BRACKET	1	ADC			
7	011437902	VOLUTE CASING	1	FC			
8	011505702	IMPELLER	1	FC			
9	011057003	DELIVERY FLANGE	1	ADC			
10	011732801	BASE SET	1				
11	011049102	IMPELLER ADJUSTING WASHER	3	BSP			
12	011807901	25A PLUG SET	1				
13	011058402	DELIVERY FLANGE PACKING	1	CR			
14	011662001	ENGINE	1	MTSUBISHI GM182PN-719			
15	011066402	MECHANICAL SEAL	1		φ 20		
16	011702802	COUPLING SET	2	ABS			
17	011437502	COUPLING	2	ABS			
18	011030105	HOSE NIPPLE	2	ABS			
19	011437801	COUPLING PACKING	2	NBR			
20	940019090	HOSE BAND	3		φ 90		
21	011819501	STRAINER SET	1	PP			
22	011424608	NAME PLATE	1				
23	011501501	O-RING	1	NBR	1517-46.5		
24	011398901	O-RING	1	NBR	P74		
25	743119063	HEXAGON BOLT	4	SWRM	M10X30		
26	743119053	HEXAGON BOLT	4	SWRM	M8X40		
27	734532076	HEXAGON SOCKET BOLT	4	SCM	M8X60		
28	827419008	HEXAGON NUT	4	SWRM	M8		
29	854255008	SEAL WASHER	4		φ 8		
	011424706	PACKING CASE	1				

◆ Bare engine can not be supplied

SEM-80X



DWG No.011944516 MODEL:SEM-80X (GM182PN) FORM:SEM-80X-BAC-5

No.	PARTS CODE	PARTS NAME	QTY	MATERIAL	SIZE	REMARKS	PRICE (JPNY)
	011483506	SEM(GM) OPERATION MANUAL	1				
	011473401	ENGINE CAUTION LABEL A	1				
	011473501	ENGINE CAUTION LABEL B	1				
	011471806	CE MARK LABEL	1				
	011471302	CAUTION LABEL	1				
	011488404	DECLARATION	1				
	011643301	EU NOISE LABEL(104)	1				

◆ Bare engine can not be supplied