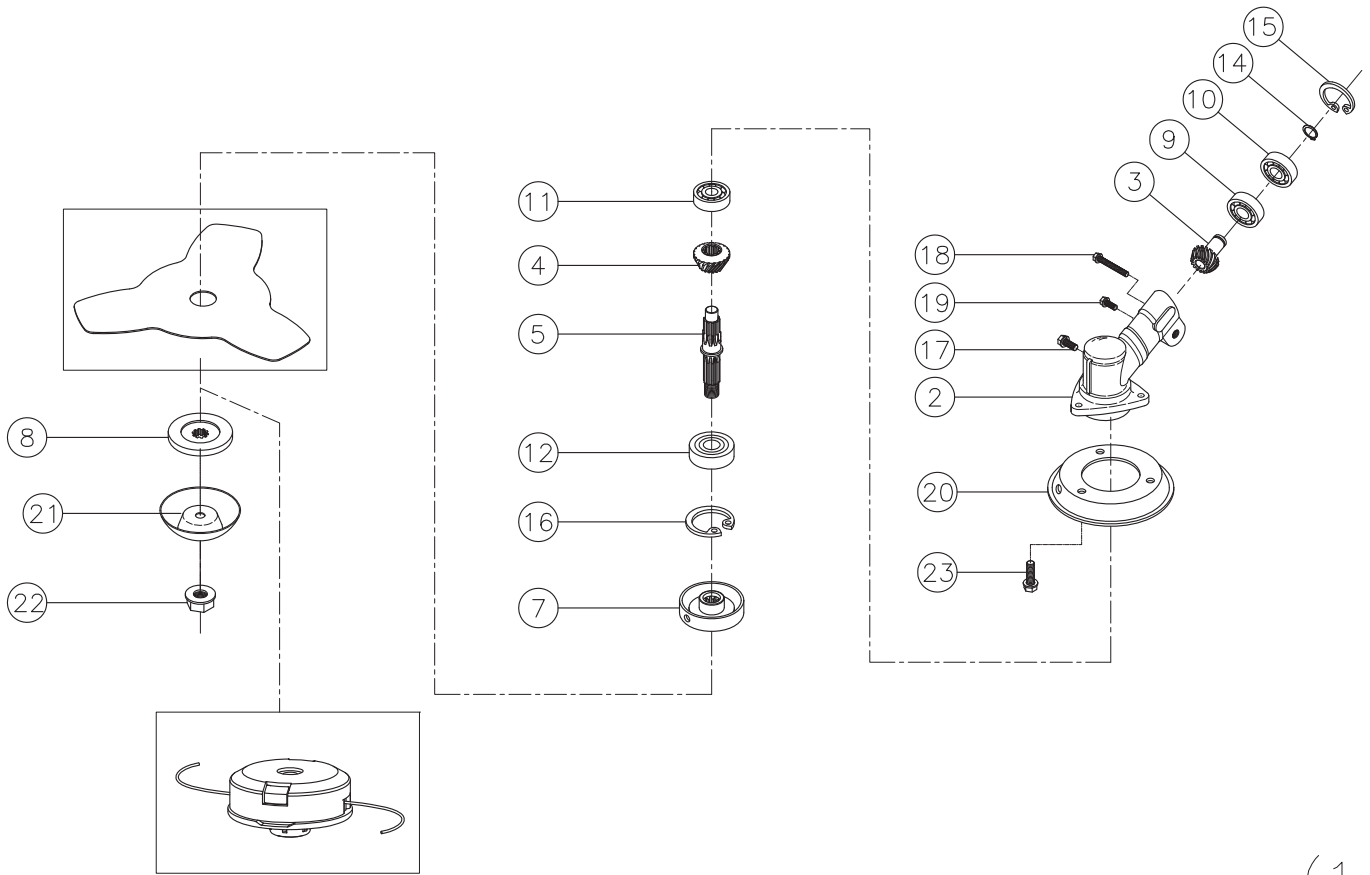


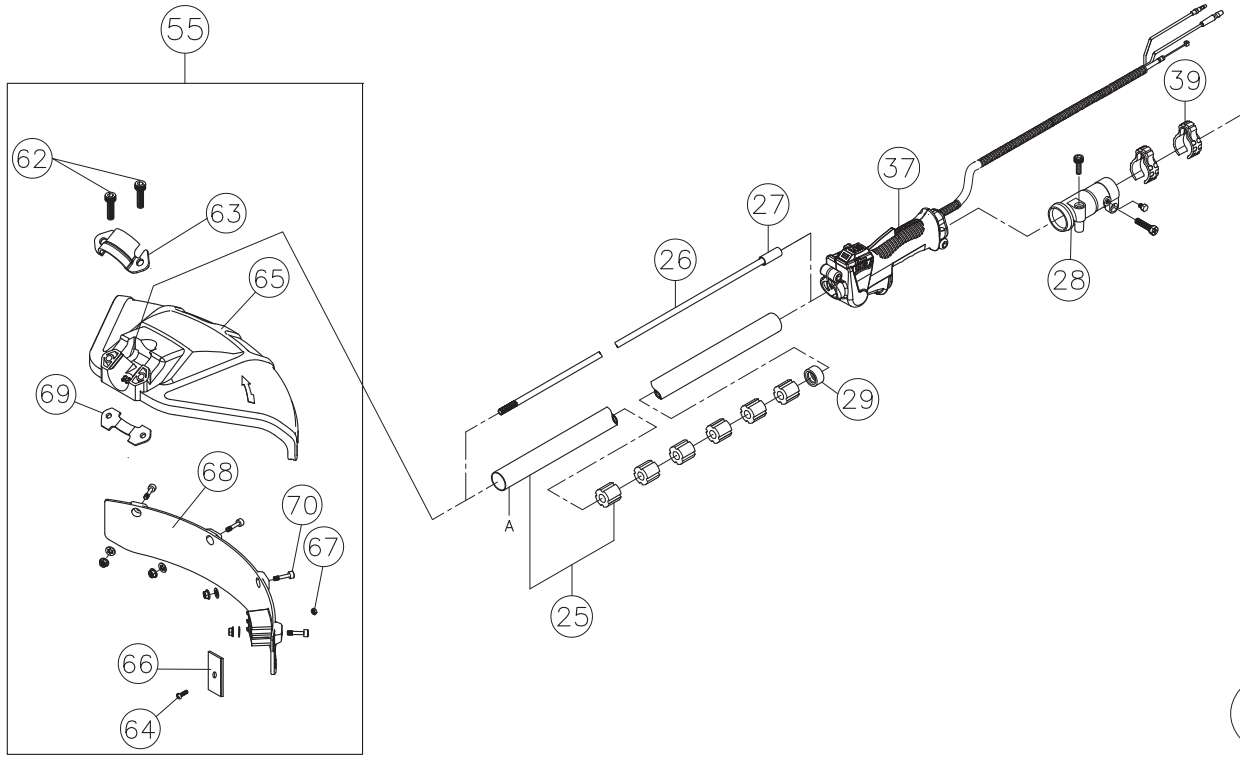
BP-260 Gearcase ass'y



(1/6)

NO.	Cosmos No	Part Name	Q'ty
1	TJ00-2608	GEAR CASE ASS'Y INCLUDE 2-23	1
2	BJ01-2607	GEAR CASE	1
3	BJ05-8965	BEVEL PINION	1
4	BJ04-2602	BEVEL GEAR	1
5	BJ06-2602	SPLINE SHAFT	1
6	—	—	—
7	BJ07-2601K	BLADE HOLDER-A	1
8	BJ08-2601	BLADE HOLDER-B	1
9	Z6000	BALL BEARING 6000	1
10	Z6000Z	BALL BEARING 6000Z	1
11	Z629	BALL BEARING 629	1
12	Z6201UU	BALL BEARING 6201UU	1
14	R-S10	C-SANP RING S10	1
15	R26	C-SANP RING R26	1
16	R32	C-SANP RING R32	1
17	XGW-68	HEXAGON BOLT M6x8	1
18	XGW628SPWS	HEXAGON BOLT M6x28 SPWS	1
19	XGW510SPWS	HEXAGON BOLT M5x10 SPWS	1
20	BJ02-2602	GRASS COVER	1
21	BJ03-2602W	NUT COVER	1
22	XMW10L	BLADE LOCK NUT	1
23	XGW58SP	HEXAGON BOLT M5x8 SP	3

BP-260 MAIN PIPE & LEVER ASS'Y



(2/6)

NO.	Cosmos No	Part Name
25	TK14-471426231425-1	MAIN PIPE C.P.,D=26m
26	BK04-71468	DRIVE SHAFTD=7mm
27	BK14-2601	SHAFT JOINT
28	TK02-2604	PIPE CONNECTOR ASS'Y
*	BK12-2604	PIPE CONNECTOR
*	XAA520	SOCKET BOLT M5x20SP
*	XAA510	SOCKET BOLT M5x10SP
*	XAA535	SOCKET BOLT M5x35SP
*	XWB5	M5 SPRING WASHER
29	T13-26607	SPACER
*	BK13-2601	RUBBER SPACER
*	Z607ZZ	BALL BEARING 607ZZ
37	AE6-2602-TB4350	THROTTLE LEVER ASS'Y
39	BK03-2403	CLAMP
55	TS12-2605-64	SAFETY GUARD COMP.INCLUDE 63-70
62	XAW635SPWS	SOCKET BOLT M6x35 SPWS
63	BS02-2603W	PIPE CLAMP
64	XAA530	SOCKET BOLT M5x30
65	BS01-2605-64	SAFETY GUARD (dd26)
66	BS04-28	CUTTER
67	XHW5	HEXAGON FLANGE NUT,M5
68	BS01-2615-64	SAFETY COVER
69	BS03-2603W	CLAMP BRACKET
70	XCAB-520	CAPTIVE SCREW M5x20

Q'ty
1
1
1
1
1
1
1
1
1
3
1
1
1
1
1
2
1
1
1
1
1
7
1
1
5

