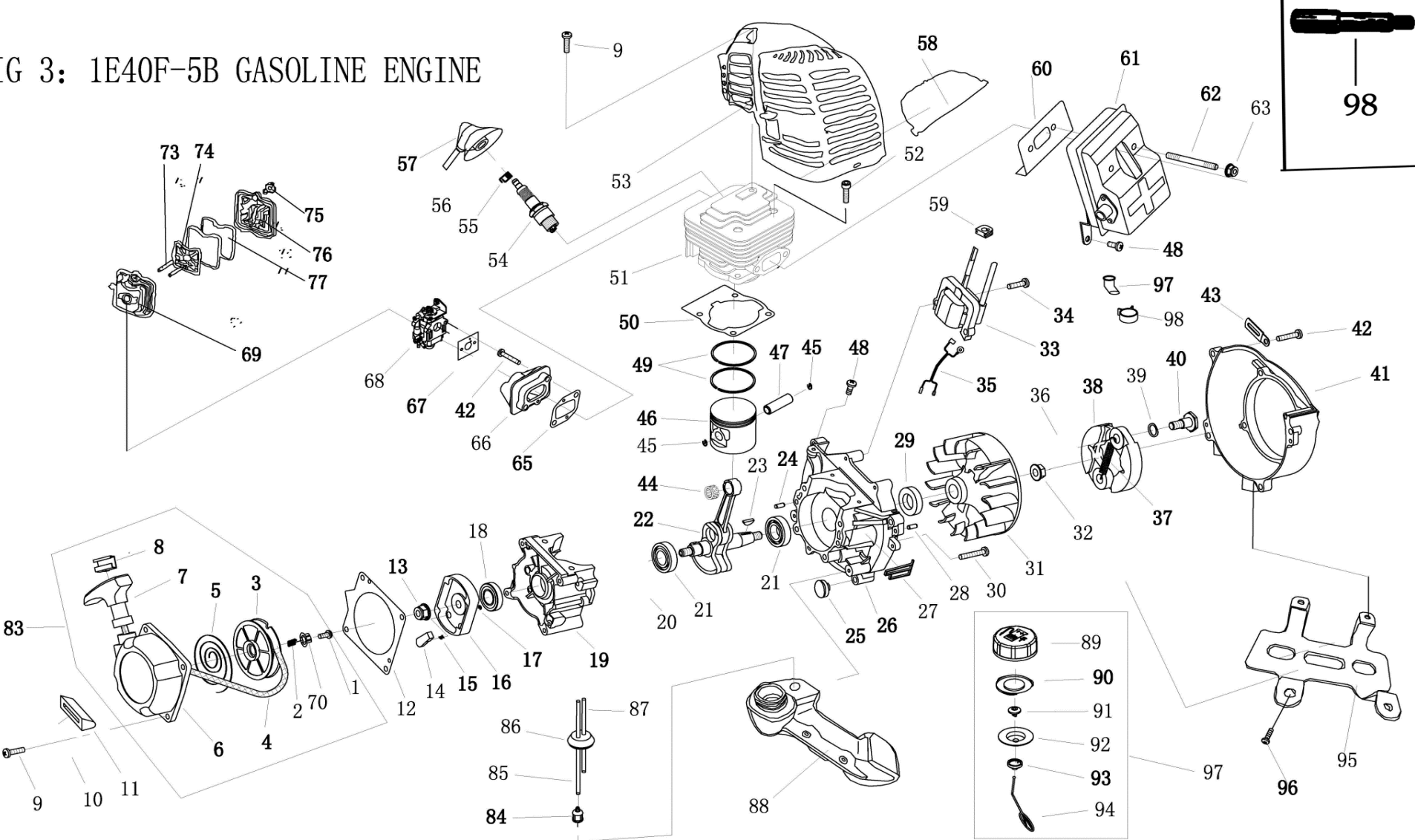


MOTOR IPUMP40 (1E40F-5B - MP15)

FIG 3: 1E40F-5B GASOLINE ENGINE



REF	CODIGO	DENOMINACION	QTA	COD-PROV	DENM-PROV
1	IP001	TORNILLO M5X12	1	GB/T67	SCREW M5X12
2	IP130	ARANDELA	1	1E40F-5B. 11-2	WASHER
3	IP131	POLEA ARRANQUE	1	1E40F-5B. 11-1	START ROPE REEL
4	NO DISPONIBLE	CUERDA	1	NOT AVAILABLE	ROPE
5	IP005	ESPIRAL DEL ARRANQUE	1	1E40FP-3Z. 4-7	RECOIL SPRING
6	IP132	VOLUTA	1	1E40F-5B. 11. 1	START COVER ASS' Y
7	IP007	EMPUÑADURA	1	1E40FP-3Z. 4-2	START HANDLE
8	IP008	ANILLO	1	1E40FP-3Z. 4-10	RING
9	IP009	TORNILLO M5X20	5	GB/T9074. 4-M5X20	SCREW M5X20
10	IP095	SOPORTE	1	1E40F-5A-4	STAND
11	IP096	TAPA DE GOMA	1	1E40F-5A-2	RUBBER COVER
12	IP010	JUNTA	1	1E40F-5-10	GASKET
13	IP011	TUERCA M8	1	GB/T6170	NUT M8
14	IP012	GATILLO ARRANQUE	1	1E46FP. 4-2	START CLAW
15	IP013	MUELLE ARRANQUE	1	1E36F. 1. 2-2	START SPRING
16	IP014	POLEA	1	1E40F-5. 7-1	START REEL
17	IP015	ARANDELA	1	GB/T896	STOP RING 4
18	IP016	RETEN ACEITE	1	1E36F. 2	SEAL
19	IP135	CARTER	1	1E40F-5. 8-2	CRANK CASE
20	IP136	JUNTA	1	1E40F-5. 8-4	GASKET
21	IP137	COJINETE 6202/P5	2	GB/T276-6202/P5	BEARING 6202/P5
22	IP138	CIGÜEÑAL	1	1E40F-5. 4. 1	CRANK SHAFT
23	IP020	LLAVE 3X5X13	1	GB/T1099	KEY 3X5X13
24	IP021	PIN B5X12	2	GB/T119-B5X12	PIN B5X12
25	IP139	ARANDELA GOMA	2	1E40F-5A. 4. 2-1 - RUBBER WASHER	RUBBER WASHER
26	IP140	CARTER	1	1E40F-5. 8-1	CRANK CASE
27	IP141	GUIA GOMA	1	1E40F-5. 8-3	GUIDE COVER
28	IP025	PIN B4X10	2	GB/T119-B4X10	PIN B4X10
29	IP142	RETEN	1	1E40F-5. 9	SEAL
30	IP027	TORNILLO M5X30	4	GB/T9074. 4-M5X30	SCREW M5X30
31	NO DISPONIBLE	VENTILADOR	1	NOT AVAILABLE	FLY WHEEL
32	IP143	TUERCA M8	1	GB/T6177. 1-M8	NUT M8

33	IP205	BOBINA	1	NOT AVAILABLE	COIL
34	IP032	PERNO	2	GB/T9074. 13-M5X20	BOLT M5X20
35	IP144	ESPARRAGO	1	1E40F-5. 3. 1	CORD COMP.
36	IP145	ARANDELA B	2	1E36F-3	WASHER B
37	IP034	MUELLE	1	1E40F-5. 6-1	SPRING
38	IP035	SEPARADOR	2	1E40F-5. 6. 1	EXPANDER
39	IP146	ARANDELA	2	1E40F-5-11	WASHER
40	IP037	TORNILLO	2	1E40F-5-12	SCREW PIN
41	IP147	VOLUTA	1	1E40F-5-9	FAN COVER
42	IP148	PERNO M5X25	4	GB/T9074. 13-M5X25	BOLT M5X25
43	IP040	CLIP	1	1E40F-3A. 9	CLIP
44	IP149	COJINETE	1	1E40F-5. 4-2	BEARING
45	IP150	ANILLO	2	1E40F-03. 02. 01	RING
46	IP151	PISTON	1	1E40F-5. 4-1	PISTON
47	IP152	ANILLO RETENCION EJE	1	1E46FP. 6-3	PISTON PIN
48	IP060	PERNO M5X12	3	GB/T9074. 4-M5X12	BOLT M5X12
49	IP153	ANILLO RETENCION EJE	2	1E40FP-3Z. 3-5	PISTON RING
50	IP154	JUNTA	1	1E40F-5-6	GASKET
51	IP155	CILINDRO	1	1E40F-5-4	CYLINDER
52	IP156	TORNILLO M5X20	4	GB/T70	SCREW M5X20
53	IP157	VOLUTA	1	1E40F-5B. 5	GUIDE COVER ASS'Y
54	IP051	BUJIA	1	L6 (LD)	SPARK PLUG
55	NO DISPONIBLE	NO DISPONIBLE	1	NOT AVAILABLE	SPRING
56	NO DISPONIBLE	NO DISPONIBLE	1	NOT AVAILABLE	PLUG CAP
57	IP158	TAPA BUJIA	1	1E40F-5B-7	CAP
58	IP159	CUBIERTA SUPERIOR	1	1E40F-5B-8	UPPER COVER
59	IP055	ENCHUFE	1	1E40F-5. 3-1	PLUG
60	IP161	JUNTA	1	1E40F-5-5	GASKET
61	IP162	SILENCIADOR	1	1E40F-5. 2	MUFFLER
62	IP163	PERNO	2	1E40F-5-13	BOLT
63	IP164	TUERCA M6	2	GB/T6177-M6	NUT M6
64	NO DISPONIBLE	NO DISPONIBLE		NOT AVAILABLE	
65	IP165	TUBO DE ADMISIÓN	1	1E40F-5-2	ADMITTING PIPE

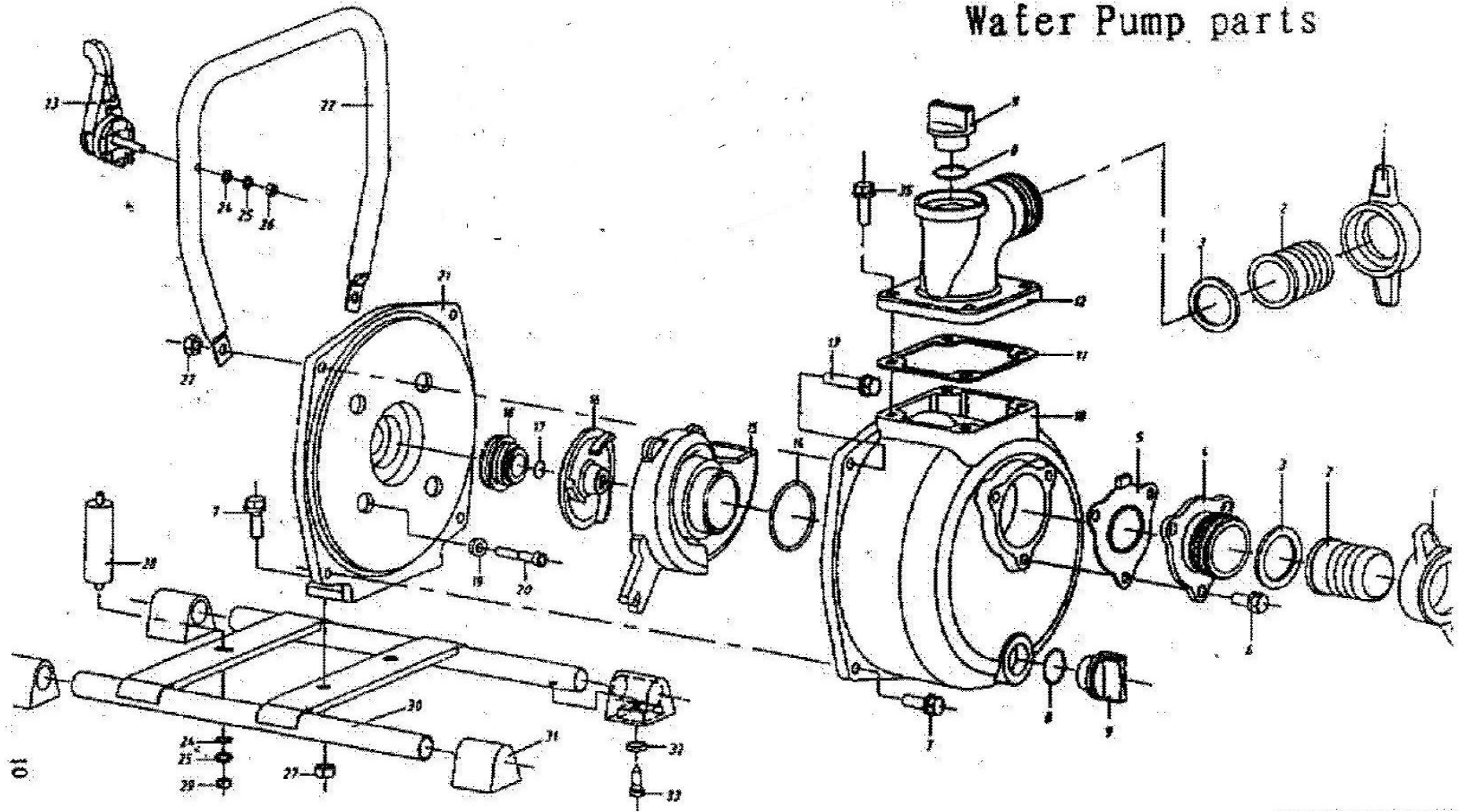
66	IP166	TUBO DE ADMISIÓN	1	1E40F-5A. 2	ADMITTING PIPE
67	IP167	JUNTA	1	1E40F-5A-1	GASKET
68	IP168	CARBURADOR	1	1E40F-5A. 8A	CARBURETOR
69	IP169	TAPA VÁLVULAS	1	1E40F-5B. 1	CAP
70	IP170	DISTANCIADOR	1	1E36F-2B. 1-1	STARTREEL
73	NO DISPONIBLE	TORNILLO M5X55	2	NOT AVAILABLE	SCREW M5X55
74	NO DISPONIBLE	SOPORTE FILTRO	1	NOT AVAILABLE	CLEANER INSIDE COVER
75	IP171	STARTER	1	1E40F-5B. 11	STARTER
76	IP176	MARIPOSA ACEITE	1	1E40F-5B. 1-3	CHOKER
77	NO DISPONIBLE	TORNILLO ST4. 2X12	1	NOT AVAILABLE	SCREW ST4. 2X12
83	IP075	CONJUNTO ARRANQUE MANUAL	1	1E40F-5. 11	STARTER
84	IP083	FILTRO	1	1E34F. 9. 2-3	CLEANER COVER
85	IP177	TUBO COMBUSTIBLE	1	1E40F-5A. 4. 2-2	FUEL PIPE
86	IP085	PASA TUBO FASOLINA	1	1E36FF. 8. 1-1	PLUG
87	IP178	TUBO COMBUSTIBLE	1	1E40F-5A. 4. 2-1 - FUEL PIPE	FUEL PIPE
88	IP179	DEPOSTIO COMBUSTIBLE	1	1E40F-5B. 4. 1	FUEL TANK
89	IP180	TAPON DEPOSITO COMBUSTIBLE	1	1E32FL. 6 2-1	FUEL TANK LID
90	IP181	JUNTA	1	CG420. 1. 3. 1-2	GASKET
91	IP182	ARANDELA CHAPA	1	EB415. 4. 1. 1-1	INLET
92	IP183	TAPON INTERNO	1	1E32FL. 6. 2-2	INSIDE COVER
93	IP184	TAPON INTERNO	1	1E32FL. 6. 2-3	INSIDE COVER
94	IP185	CADENA	1	1E32FL. 6. 2-4	CHAIN
95	IP186	SOPORTE	1	1E40F-5B. 3	STAND
96	IP032	PERNO M5X20	4	GB/T9074. 13-M5X20	BOLT M5X20
97	IP187	CONJUNTO TAPON	1	1E32FL. 6. 2	FUEL TANK LID COMP.
98	IP203	EJE PROLONGACION MOTOBOMBA	1		EXTENSION SHAFT MOTOR PUMP
	100025601	PARO MOTOR	1	100025601	STOP ENGINE

BOMBA IPUMP40 (MP15)

Attached Fig

WP15

Water Pump parts



REF	CODIGO	DENOMINACION	QTA	COD-PROV	DENM-PROV
1	IP188	JUNTA DE MANGUERA	2	QGZ40-35. 11-1	HOSE JOINT
2	IP189	ACOPLAMIENTO MANGUERA	2	QGZ40-35. 11-3	HOSE COUPLING
3	IP190	JUNTA	2	QGZ40-35. 11-2	PACKING (PLUG)
4	IP191	VÁLVULA DE ASPIRACIÓN	1	QGZ40-35-1	VALVE CASE
5	IP192	VÁLVULA	1	QGZ40. 15	CHECK VALVE
6	IP103	PERNO W /S. W M8X20	3	GB9074. 15-M8X20	BOLT W /S. W M8X20
7	IP193	PERNO W /S. W M8X25	4	GB9074. 15-M8X25	BOLT W /S. W M8X25
8	IP104	JUNTA TAPÓN	2	GB3452. 1	O-SEALING RING
9	IP194	TAPÓN	2	QGZ40-35-3	PLUG
10	IP195	CUERPO BOMBA	1	QGZ25-35-2	PUMP CASE
11	IP196	JUNTA	1	QGZ25-35-14	PACKING
12	IP197	CODO DE IMPULSIÓN	1	QGZ25-35-13	BEND
13	IP198	PERNO W /S. W M8X35	2	GB9074. 15-M8X35	BOLT W /S. W M8X35
14	IP104	JUNTA TÓRICA	1	GB3452. 1	O-SEALING RING
15	IP199	DIFUSOR	1	QGZ40-35-4	VOLUTE SHELL
16	IP200	TURBINA	1	QGZ40-35-6	IMPELLER
17	IP104	ANILLO DE CIERRE	1	GB3452. 1	O-SEALING RING
18	IP114	SELLO MECÁNICO	1	QGZ40-35. 4	MECHANICAL SEAL
19	IP115	ARANDELA	4	QGZ40-35-8	SEAL PACKING
20	IP116	TORNILLOS M6X40	4	GB70	SCREW M6X40
21	IP201	SOPORTE BOMBA	1	QGZ40-35-7	CASING COVER
22	IP202	ASA	1	QGZ40-35A-2	HANDLE
23	IP119	PALANCA ACELERADOR	1	QGZ40-35. 10	THROTTLE LEVER
24	IP120	ARANDELA	2	GB97. 1	WASHER
25	IP121	ARANDELA	2	GB93	WASHER SPRING
26	IP122	TUERCA M5	1	GB889	NUT M5
27	IP123	TUERCA M8	4	GB6170-M8	NUT M8
28	IP124	SOPORTE GOMA	1	QGZ40-35A. 3	RUBBER PILLAR
29	IP125	TUERCA M5	1	GB6170-M5	NUT M5
30	IP126	BASE	1	QGZ40-35A. 1	BASE
31	IP127	PROTECTORES DE GOMA ANTIVIBRACIÓN	4	QGZ40-35-5	UNTI VIBRATION RUBBER
32	IP128	ARANDELA	4	GB96	WASHER

33	IP129	TORNILLOS ST4. 2X13	4	GB845	SCREW ST4. 2 X13
34	NO DISPONIBLE	MOTOR	1	NO DISPONIBLE	ENGINE
35	IP193	PERNO W/S. W M8X25	4	GB9074. 15-M8X25	BOLT W /S. W M8X25