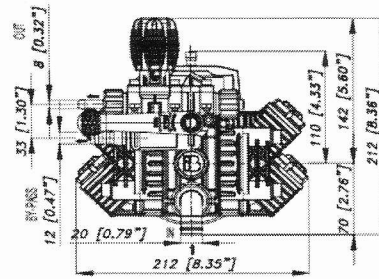
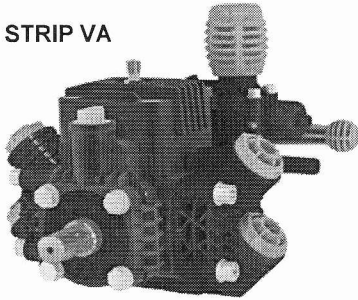


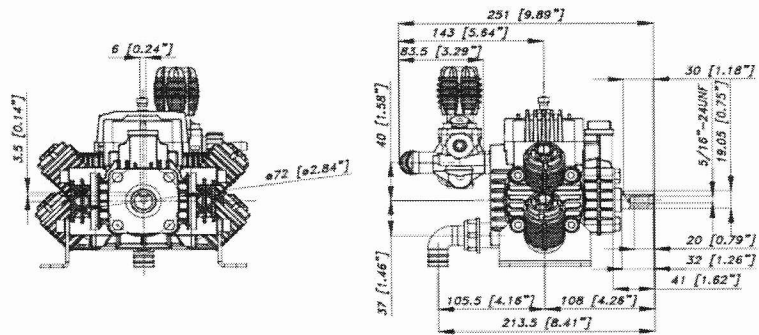
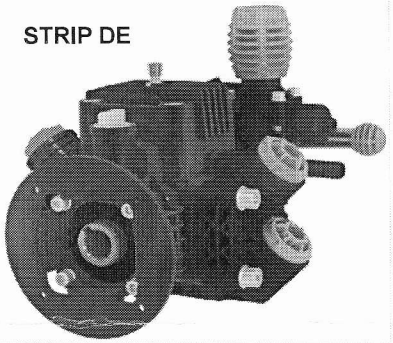
STRIP VA-DE-D4

DIMENSIONI D'INGOMBRO - OVERALL DIMENSIONS

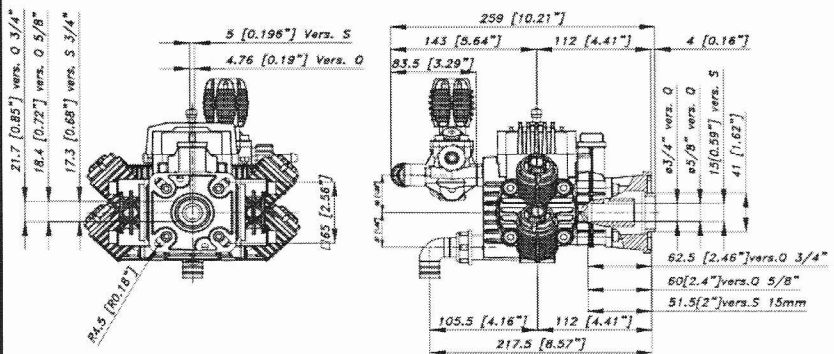
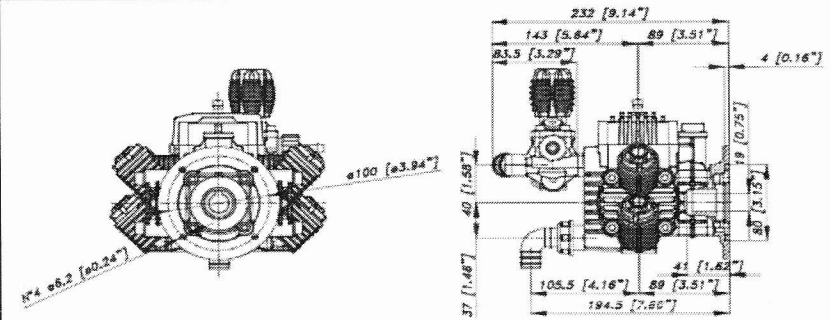
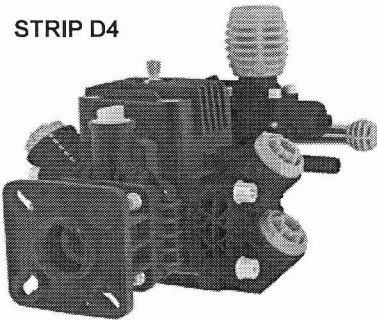
STRIP VA



STRIP DE



STRIP D4



COPPIA DI SERRAGGIO - TORQUE CHART

CODICE - CODE	Q.TV	POS	N-m	Lbr.ft
86.2730.00.2	4	30	22	16,2
86.2796.10.2	4-8	8	10	7,4
86.2853.10.2	4	9	10	7,4
11.0008.53.2	2	14	5	3,7
86.2345.00.2	4	42	10	7,4
86.2405.10.2	4	47	10	7,4
86.2355.00.2	4	50	10	7,4
11.0008.53.2	2	11	5	3,7
11.0152.32.2	4	4	10	7,4

Tolleranza di serraggio: 0/-10%
Tolerance on torque value:

INFORMAZIONI UTILI USEFUL INFORMATION

LUBRIFICANTE - LUBRICANT:

OLIO MOTORE O SEMIDRAULICO SAE 30
MOTOR OIL OR SEMI-HYDRAULIC OIL SAE 30

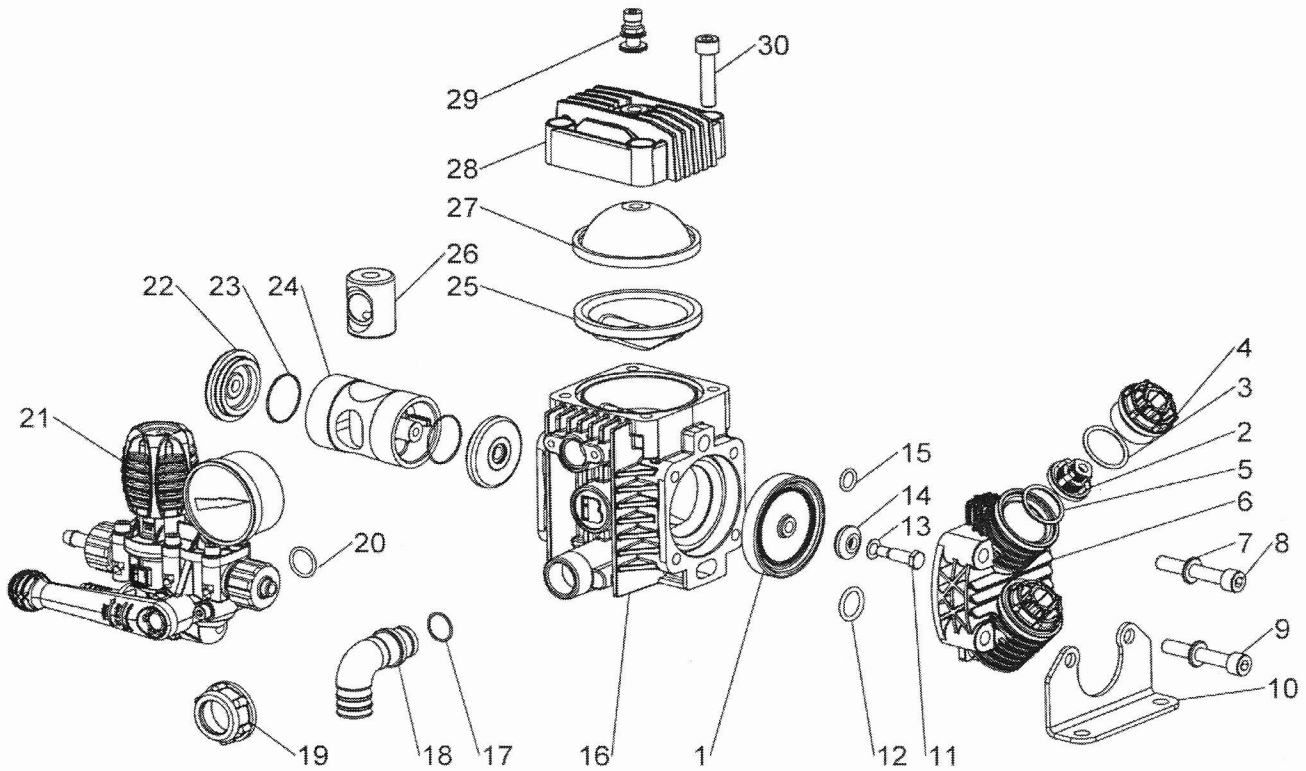
PRESSIONE ACCUMULATORE ACCUMULATOR PRESSURE

PRESSIONE DI LAVORO - OPERATING PRESSURE	2 + 5	5 + 10	10 + 20	20 + 50
ACCUMULATORE ACCUMULATOR	2	2 + 5	5 + 7	6 + 8

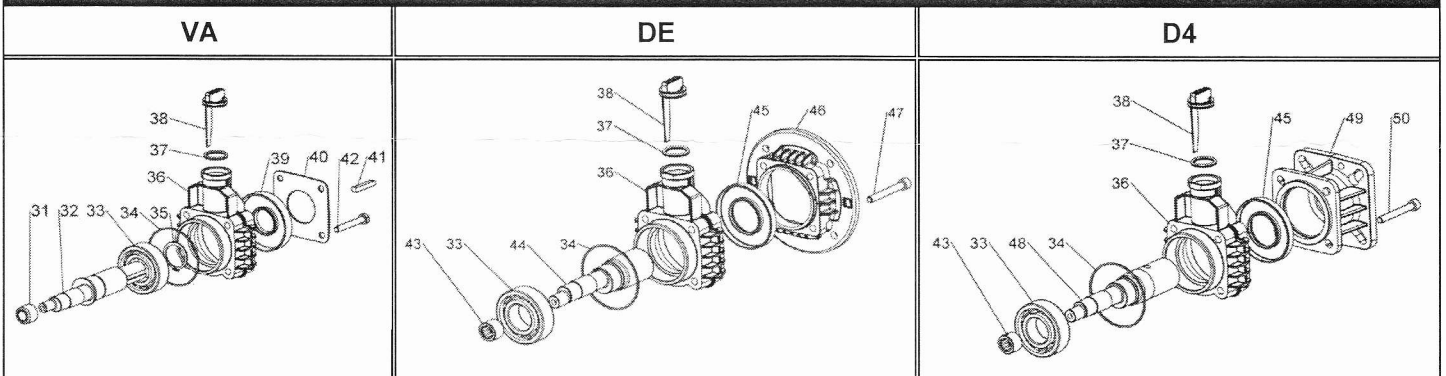
KIT MEMBRANE - KIT POMPA - KIT VALVOLE DIAPHRAGMS KIT - PUMP KIT - VALVES KIT

KIT	11.9887.97.3	BUNA - N					11.9889.97.3	KIT POMPA (VA) PUMP KIT (VA)					11.9890.97.3	KIT POMPA (DE-D4) PUMP KIT (DE-D4)					11.9888.97.3	KIT VALVOLE VALVE KIT		
		1	12	15	25	27		12	15	23	34	39		12	15	23	34	45		2	3	5
POSIZIONE ESPLOSO POSITION NUMBER																						
QUANTITA' NEL KIT QUANTITIES INCLUDED		2	2	2	1	1		4	4	2	1	1		4	4	2	1	1		4	4	4

STRIP VA-DE-D4



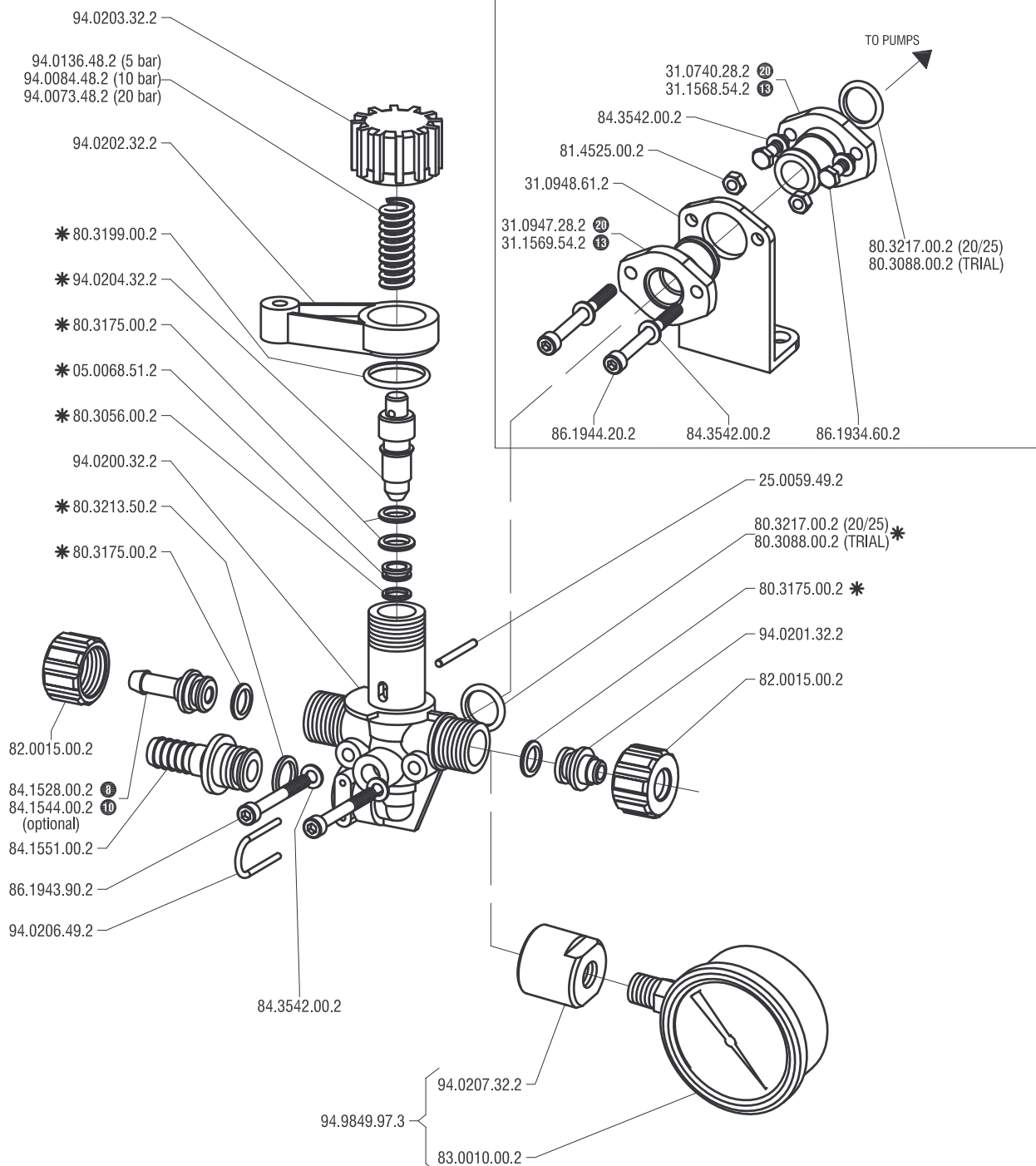
VERSIONS



POS.	CODICE PART NO. REF.	DENOMINAZIONE - DESCRIPTION - DESCRIPTION	Q.TY	POS.	CODICE PART NO. REF.	DENOMINAZIONE - DESCRIPTION - DESCRIPTION	Q.TY
1	12.0040.31.2	DIAPHRAGM	2	28	11.0004.09.2	BALLASTER COVER	1
2	11.9001.97.3	VALVES	4	29	86.1608.50.2	AIR VALVE	1
3	80.3219.00.2	O-RING 3x25	4	30	86.2730.00.2	SCREW M8X30 UNI5931	4
4	11.0152.32.2	CAP	4	31	10.9815.97.3	BEARING ASSEMBLY	1
5	80.3200.00.2	O-RING 2,62x22,22	4	32	11.0131.42.2	CRANKSHAFT VA	1
6	11.0151.32.2	HEAD	2	33	81.2707.00.2	BEARING 25X52X15	1
7	84.3685.00.2	WASHER D.8,2X15X1,5	8	34	80.3080.40.2	O-RING 1,78x53,7	1
8	86.2796.00.2	SCREW M8X40 UNI5931	4-8	35	80.1185.00.2	SNAP RING D,25	1
9	86.2853.00.2	SCREW M8X45 UNI5931 (ONLY VA)	4	36	11.0153.32.2	BEARING HOUSING	1
10	11.0154.61.2	MOUNTING RAIL (ONLY VA)	2	37	80.3187.00.2	O-RING 2,62x17,86	1
11	11.0008.53.2	DIAPHRAGM SCREW	2	38	11.0022.32.2	OIL ROD	1
12	80.3181.00.2	O-RING 2,62x15,54	2	39	80.2100.00.2	OIL SEAL 25x62x10	1
13	84.3620.10.2	WASHER D.7,3x12x0,5	2	40	11.0162.61.2	FLANGE	1
14	11.0009.32.2	DISK	2	41	80.6436.00.2	KEY	1
15	80.3088.20.2	O-RING 2,0x10	2	42	86.2345.00.2	SCREW M6X40 UNI5737	4
16	11.0150.09.2	CRANKCASE	1	43	10.9815.97.3	BEARING ASSEMBLY	1
17	80.3060.00.2	O-RING 1,78X12,42	1	44	11.0156.42.2	SHAFT DE	1
18	84.0521.00.2	90° ELBOW CONNECTOR DIA.20	1	45	80.2125.50.2	OIL SEAL D.30X62X7 (D4 15mm-5/8")	1
19	82.0042.10.2	WING NUTG.3/4"	1	46	80.2153.00.2	OIL SEAL D.35X62X7 (DE-D4 3/4")	1
20	80.3088.00.2	O-RING 2X15	1	47	11.0155.09.2	FLANGE DE (MEC80)	1
21	94.7301.97.3	PRESSURE REGULATOR PBP 25	1	48	86.2405.10.2	SCREW M6X50 UNI5931	4
22	11.0011.32.2	PISTON HEAD	2	48	11.0157.42.2	SHAFT D4S (15MM)	1
23	80.3005.00.2	O-RING 1,0x28	2	48	11.0158.42.2	SHAFT D4Q (5/8")	1
24	11.0010.09.2	PISTON	1	48	11.0159.42.2	SHAFT D4Q (3/4")	1
25	10.0040.31.2	LOWER ACCUMULATOR DIAPHRAGM	1	49	04.0329.09.2	FLANGE D4	1
26	11.0015.01.2	PLUNGER ROD	1	50	86.2355.00.2	SCREW M6X45 UNI5931	4
27	10.0041.31.2	UPPER ACCUMULATOR DIAPHRAGM	1				

Kit comando a distanza D.20
31.8384.97.3
 Remote mounting kit Dia.20

Kit comando a distanza D.13
31.8974.97.3+31.8975.97.3
 Remote mounting kit Dia.13



Kit ricambi NPR20 Spare parts kit NPR20	
* = 94.9886.97.3	Kit N°11 pezzi Kit N°11 pieces