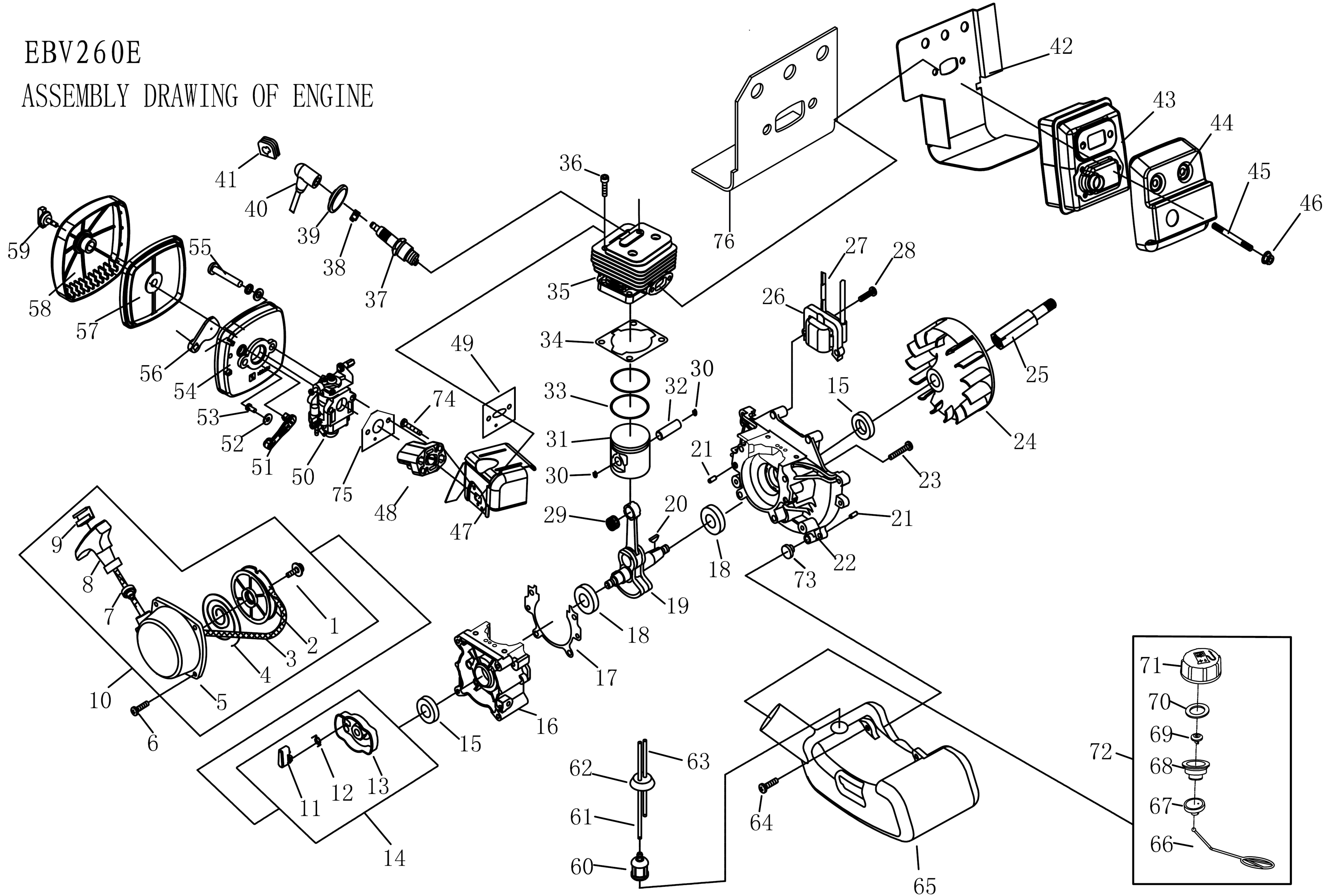


EBV260E

ASSEMBLY DRAWING OF ENGINE

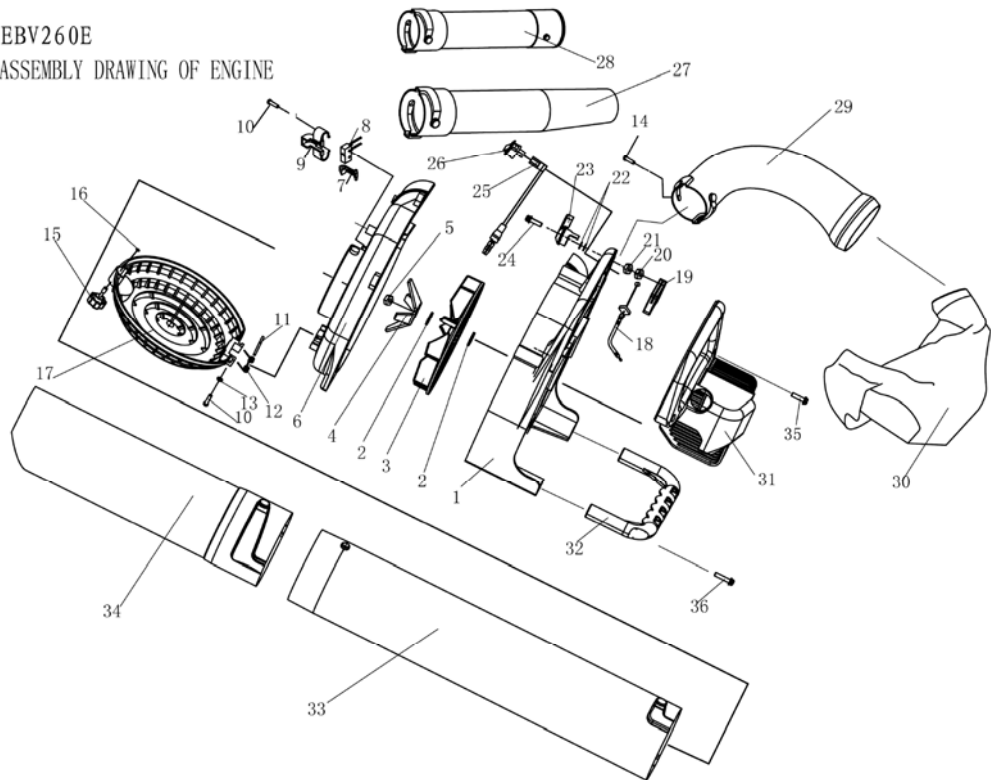


EBV260E GASOLINE ENGINE

NO.	Part No.	Part Name	Qty.	NO.	Part No.	Part Name	Qty.	NO.	Part No.	Part Name	Qty.	NO.	Part No.	Part Name	Qty.
1	GB/T9074.6	Screw M5×10	1	24	1E34F-E.3.1	MAGNETO ROTOR COMP.	1	47	EBV260E.1.5	Board seam	1	70	CG420.1.3.1-2	Gasket	1
2	1E34F.11-2	Start Rope Reel	1	25	EBV260E.1-3	LINK SHAFT	1	48	1E34F.4	Admitting Pipe	1	71	1E32FL.6.2-1	Fuel Tank Lid	1
3	1E34F.11-3	Rope	1	26	1E34F-E.3.2	IGNITION COIL COMP.	1	49	EBV260E.1-4	Gasket	2	72	1E32FL.6.2	Lid Ass'y	1
4	1E34F.11-1	Recoil Spring	1	27	EBV260E.1.2	Cord Comp	2	50	EBV260E.8A	Carburetor	1	73	1E40F-5A-3	Rubber washer	2
5	1E34F.11.1	Start Cover Ass'y	1	28	GB9074.13	Screw M5×20	2	51	EBV260E.1.3.1-2	Choker Handle	1	74	GB/T9074.4	Screw M5×25	2
6	GB/T9074.4	Screw M4×16	4	29	1E31F.4.1	Bearing	1	52	GB/T96.1	Washer 3	2	75	1E36F-E-11	Gasket	1
7	1E34F.11.1-1	Guide Bushing	1	30	1E34F.6-2	Ring	2	53	GB/T845	Screw ST2.9×6.5	2	76	EBV260E.1-6	Board seam	1
8	1E36F.1-1	Start Handle	1	31	1E34F-E.4-1	Piston	1	54	EBV260E.1.3.1-3	Cleaner inside cover	1	77			
9	1E36F.1-5	Resist Gasket	1	32	1E34F.6-3	Piston Pin	1	55	GB/T9074.4	Screw M5×60	2	78			
10	1E34F.11G	Starter(PA6-GF30)	1	33	1E34F.6-5	Piston Ring	2	56	EBV260E.1.3.1-1	Choker	1	79			
11	1E34F.8-1	Start pole	1	34	1E34F-E-3	Gasket	1	57	EBV260E.1.3.2	Filter Net	1	80			
12	1E34F.8-2	Spring	1	35	1E34F-E-1	Cylinder	1	58	EBV260E.1.3-1	Cleaner outside cover	1	81			
13	1E34F.8.1	Start Reel	1	36	GB/T70.1	Screw M5×20	4	59	EBV260E.1.3.2	Screw	1	82			
14	1E34F.8	Start Reel Ass'y	1	37	L8RTC	Spark Plug	1	60	1E34F.9.2-3A	Cleaner Cover	1	83			
15	1E36F.2	Oil-seal	2	38	1E40F-3A.8-2	Spring	1	61	1E34F.9.2-2	Fuel Pipe	1	84			
16	1E34F-E.6-1	Crank Case	1	39	1E34F.5-3	Plug Cap	1	62	1E36FF.8.1-1	Plug	1	85			
17	1E34F-E.6-2	Gasket	1	40	1E34F-E.3-1	Cap	1	63	GB/T13527.1	Fuel Pipe LS-3×1×80	1	86			
18	GB/T276	Bearing 6001/P5	2	41	1E40F-5.3-1	Plug	1	64	GB/T9074.4	Screw M5×16	2	87			
19	1E34F-E.4.1	Crank Shaft	1	42	EBV260E.1-1	Gaseket	1	65	EBV260E.1.4	Fuel Tank	1	88			
20	1E40FP-3Z.3-1	Key 3x5x13	1	43	EBV260E.1.1	Muffler	1	66	1E32FL.6.2-4	Chain	1	89			
21	GB/T119.2	Pin B3×10	2	44	EBV260E-5	Cover	1	67	1E32FL.6.2-3	End Cover	1	90			
22	1E34F-E.6-3	Crank Case	1	45	1E36F-2-9	Bolt	1	68	1E32FL.6.2-2	Inside Cover	1	91			
23	GB/T70.1	Screw M5×30	4	46	GB/T6187.1	Nut M5	2	69	EB-415.4.1.1-1	Inlet	1				

EBV260E

ASSEMBLY DRAWING OF ENGINE



Appendix List of Attached Fig.2 (EBV260E)

Ser. NO.	Part NO.	Part Name	Qty.	Ser. NO.	Part NO.	Part Name	Qty.	Ser. NO.	Part NO.	Part Name	Qty.
1	EBV260E. 2. 2	VOLUTE CASE	1	16	GB/T3452. 1	SEALING WASHER	1	31	EBV260E. 2-1	PROTECTION	1
2	EBV260E-6	WASHER	2	17	EBV260. 2-1	NET COVER	2	32	EBV260E-4	HANDGRIP	1
3	EBV260. 2. 1	IMPELLER	1	18	EB-260. 4	FUEL THROTTLE	2	33	BBV260A-1	PIPE	1
4	EBV260-2	COMMUNUTE BOARD	1	19	EBV260. 3	SWITCH	1	34	EBV260-8	PIPE	1
5	GB/T889. 1 M8	NUT	1	20	GB/T6172. 1	NUT M5	1	35	GB9074. 4M5X16	SCREW	11
6	EBV260E. 2. 1. 1	VOLUTE CASE	1	21	GB/T6177. 1	NUT M5	1	36			
7	EBV260. 2. 3-1	SWITCH ANTENNA	1	22	EBV260E-2	WASHER	1	37			
8	EBV260. 2. 3. 2	SWITCH	1	23	EBV260E-3	SWITCH	1	38			
9	EBV260. 2. 3-2	SWITCH CARAPACE	1	24	GB9074. 4M5X30	SCREW	1	39			
10	GB/T818 M5X10	SCREW	3	25	BBV260E. 5	STOP WIRE	2	40			
11	EBV260. 2-2	SPING SCREW	1	26	EBV260E. 6	STOP SWITCH	1	41			
12	BBV260. 2-3	SPING	1	27	EB-260-8	PIPE	1	42			
13	GB96 6	WASHER	1	28	EB-260-7 (A)	PIPE	1	43			
14	GB9074. 4 M5X10	SCREW	1	29	EBV260-6	COLLECT PLUG	1	44			
15	BBV260. 2. 4	SCREW	1	30	EBV260E. 4	SACK	1	45			