

**GASOLINE ENGINE**

# **PARTS CATALOG**

**Model:**

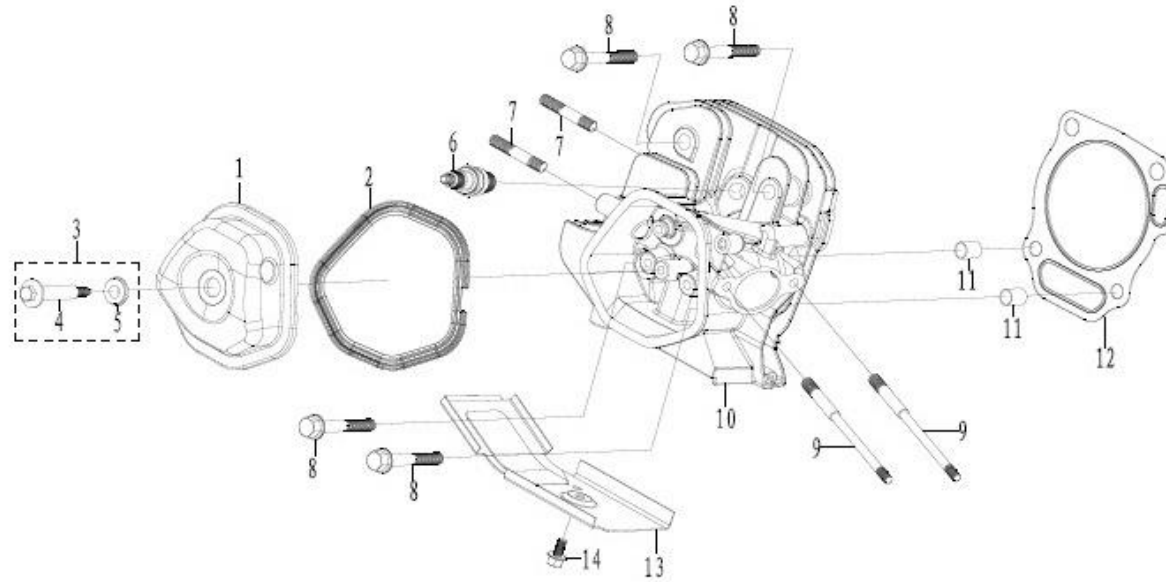
**ECO270**

March-26-2018

# CONTENTS

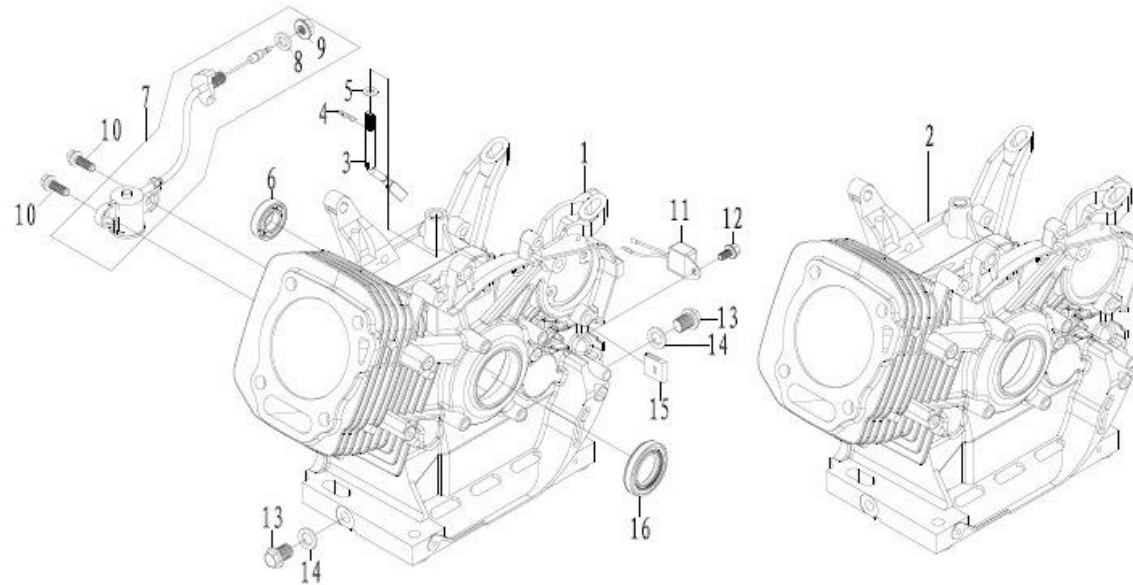
	p a g e
1. Cylinder head.....	3
2. Crankcase.....	4
3. Crankcase cover.....	5
4. Crankshaft, piston and connecting rod.....	6
5. Valve train assy.....	7
6. Starter system.....	8 ~ 9
7. Intake system.....	10
8. Air cleaner.....	11
9. Carburetor.....	12 ~ 13
10. Throttle control .....	14
11. Flywheel and ignition assy.....	15
12. Exhaust system.....	16
13. Fuel oil system.....	17

## Cylinder Head



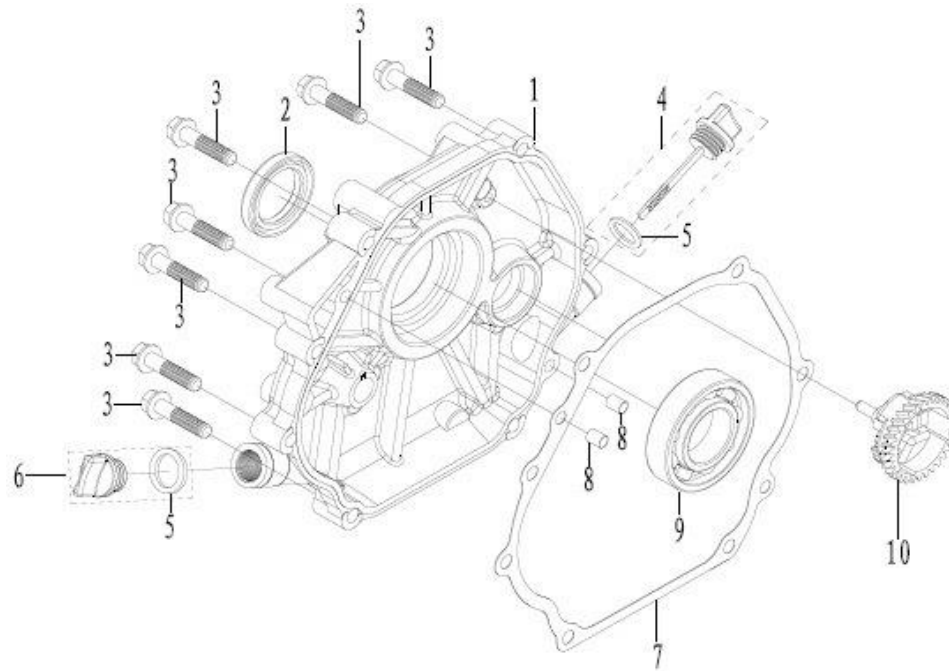
Ref. No	Parts No	Parts Name	Q'ty	Remarks	Ref. No	Parts No	Parts Name	Q'ty	Remarks
1	11.003.015.0201	Cylinder head cover	1		8	12.002.013.0720	Bolt GB/T5789 M10x80	4	
2	11.003.016.0303	Cylinder head cover gasket	1		9	12.015.025.0401	Intake double head bolt M8-6x123	2	
3	11.003.027.0001	Bolt comp	1		10	11.003.017.0151	Cylinder head assy	1	
4	11.003.027.9001	Bolt	1		11	12.015.002.0110	Dowel pin ø12x20	2	
5	11.003.027.9002	Bolt washer	1		12	11.003.014.0251	Cylinder head gasket	1	
6	11.008.009.0051	Spark plug F7TC	1		13	11.010.001.0201	Windshield	1	
7	12.015.026.0101	Exhaust double head bolt M8x48.5	2		14	12.002.013.0140	Bolt M6x12	1	

## Crankcase



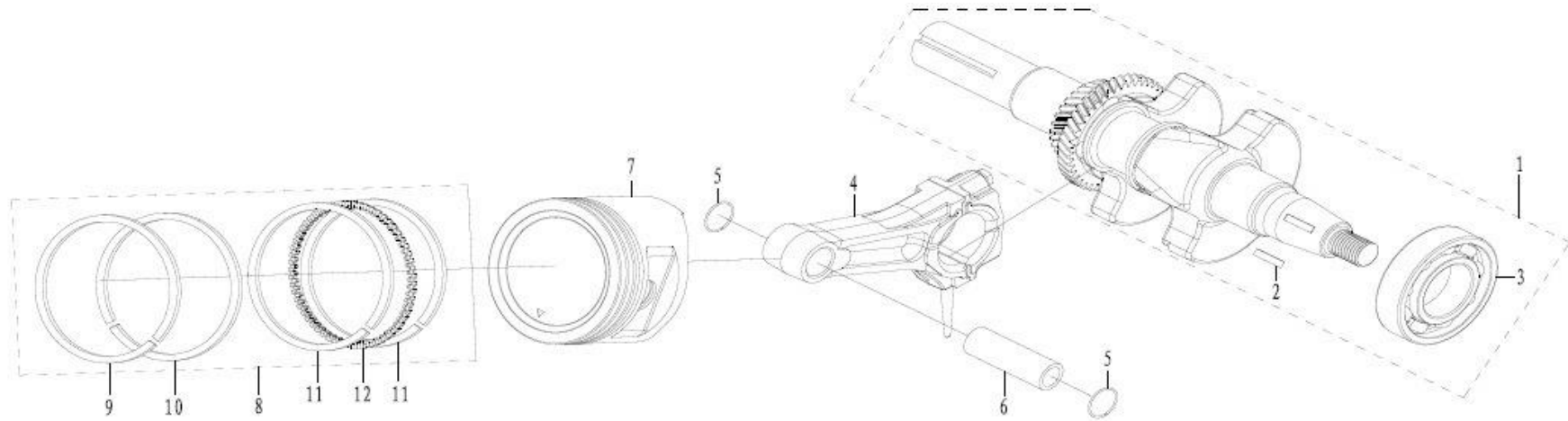
Ref. No	Parts No	Parts Name	Q'ty	Remarks	Ref. No	Parts No	Parts Name	Q'ty	Remarks
1	11.005.022.0253	Crankcase comp (recoil start)	1		9	12.001.004.0020	Nut M10 GB/T6177.1	1	
2	11.005.022.0254	Crankcase comp (electric start)	1		10	12.002.013.0160	Bolt M6x16 GB/T5789	2	
3	11.012.002.0301	Governor arm shaft	1		11	11.008.003.0001	Oil alert	1	
4	11.002.003.0301	Governor arm shaft locker	1		12	12.002.013.0140	Bolt M6x12 GB/T5789	1	
5	12.006.014.0110	Plain washer GB/T97 Ø8	1		13	12.002.012.0070	Drain bolt M12x1.5x15 GB/T16675	2	
6	12.009.001.0201	Bearing 6202/P6 GB/T276	1		14	12.006.014.0312	Flat washer GB/T97 Ø12xØ18x2	2	
7	11.005.010.0151	Oil sensor	1		15	11.005.020.0001	Crankcase rubber gasket	1	
8	12.006.014.0201	Washer	1		16	12.016.002.0800	Oil seal Ø30xØ46x8	1	

## Crankcase Cover



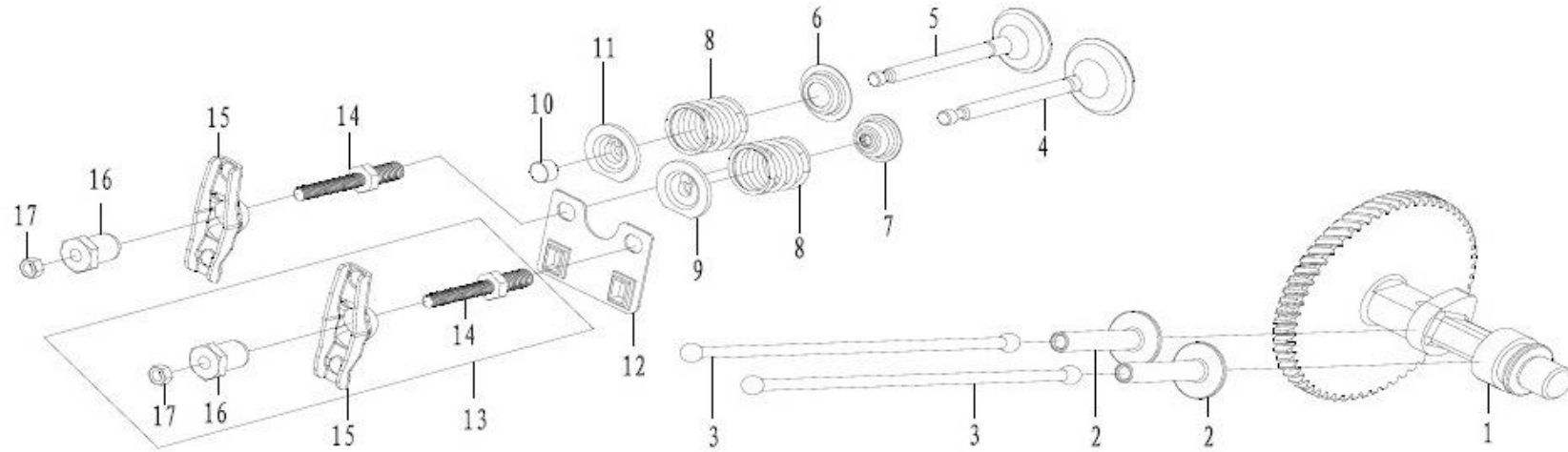
Ref. No	Parts No	Parts Name	Q'ty	Remarks	Ref. No	Parts No	Parts Name	Q'ty	Remarks
1	11.005.018.0203	Crankcase cover	1		6	11.005.013.0051	Oil plug assy	1	
2	12.016.002.0800	Oil seal Ø30xØ46x8	1		7	11.005.021.0151	Crankcase cover gasket	1	
3	12.002.013.0533	Bolt M8x35 GB/T5789	7		8	12.015.002.0051	Dowel pin Ø8x4	2	
4	11.005.009.0201	Oil dipstick assy	1		9	12.009.001.0201	Bearing 6206/P6 GB/T276	1	
5	11.005.009.9004	Oil dipstick sealing ring	2		10	11.012.009.0401	Driven gear 4.6g	1	

## Crankshaft, Piston and Connecting Rod Assy



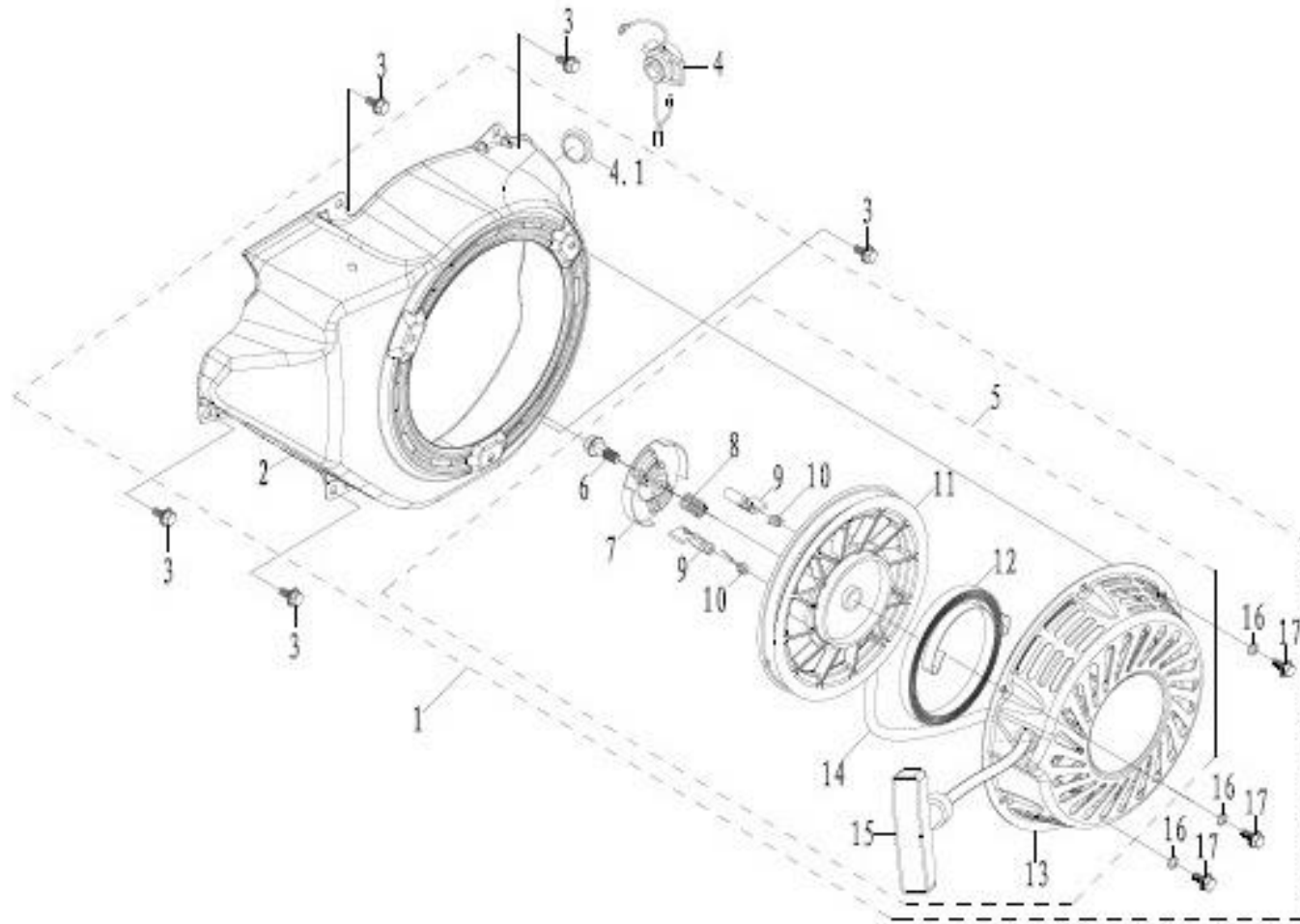
Ref. No	Parts No	Parts Name	Q'ty	Remarks	Ref. No	Parts No	Parts Name	Q'ty	Remarks
1	11.006.014.0505	Crankshaft assy	1		7	11.006.003.0202	Piston	1	
2	11.006.014.9008	Woodruff key	1		8	11.006.004.0251	Piston ring assy	1	
3	12.009.001.0201	Bearing 6206/P6 GB/T276	1		9	11.006.004.9018	First gas ring	1	
4	11.006.007.0202	Connecting rod assy	1		10	11.006.004.9019	Second gas ring	1	
5	11.006.006.0101	Piston pin clip	2		11	11.006.004.9020	Ring	2	
6	11.006.005.0151	Piston pin	1		12	11.006.004.9021	Bush ring	1	

## Valve Train Assy



Ref. No	Parts No	Parts Name	Q'ty	Remarks	Ref. No	Parts No	Parts Name	Q'ty	Remarks
1	11.004.019.0201	Camshaft assy	1		10	11.004.006.0101	Exhaust valve adjustment cap	1	
2	11.004.015.0201	Valve tappet	2		11	11.004.005.0151	Exhaust valve spring seat	1	
3	11.004.021.0201	Push rod	2		12	11.004.022.0052	Push rod stand	1	
4	11.004.002.0201	Intake valve	1		13	11.004.017.0101	Valve rocker assy	2	
5	11.004.004.0201	Exhaust valve	1		14	11.004.017.9006	Valve rocker stud	2	
6	11.004.011.0001	Exhaust valve spring seat	1		15	11.004.017.9005	Valve rocker	2	
7	11.004.001.0101	Intake valve oil seal	1		16	11.004.017.9003	Valve adjusting nut	2	
8	11.004.009.0151	Valve spring	2		17	11.004.017.9004	Locking nut	2	
9	11.004.003.0151	Intake valve spring seat	1						

## Starter System

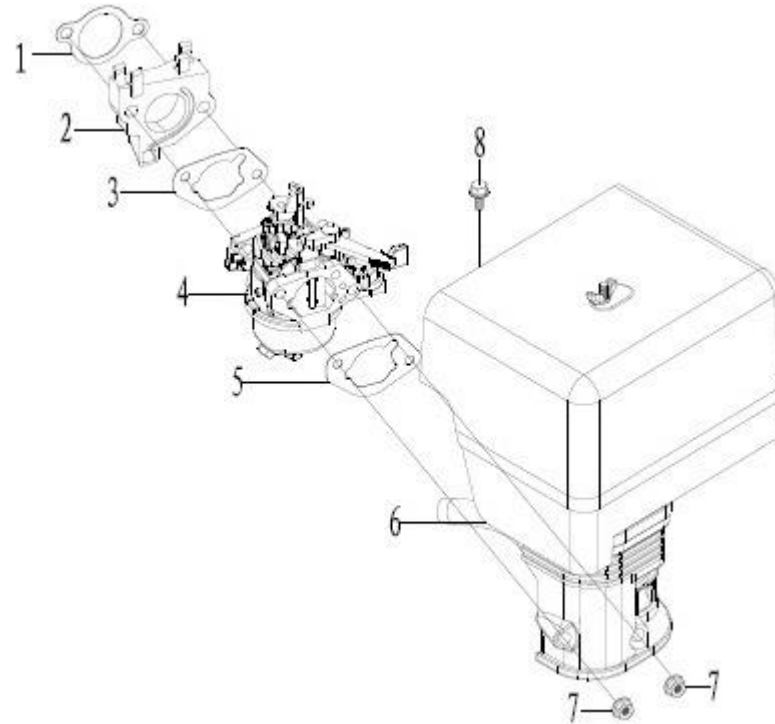




## Starter System

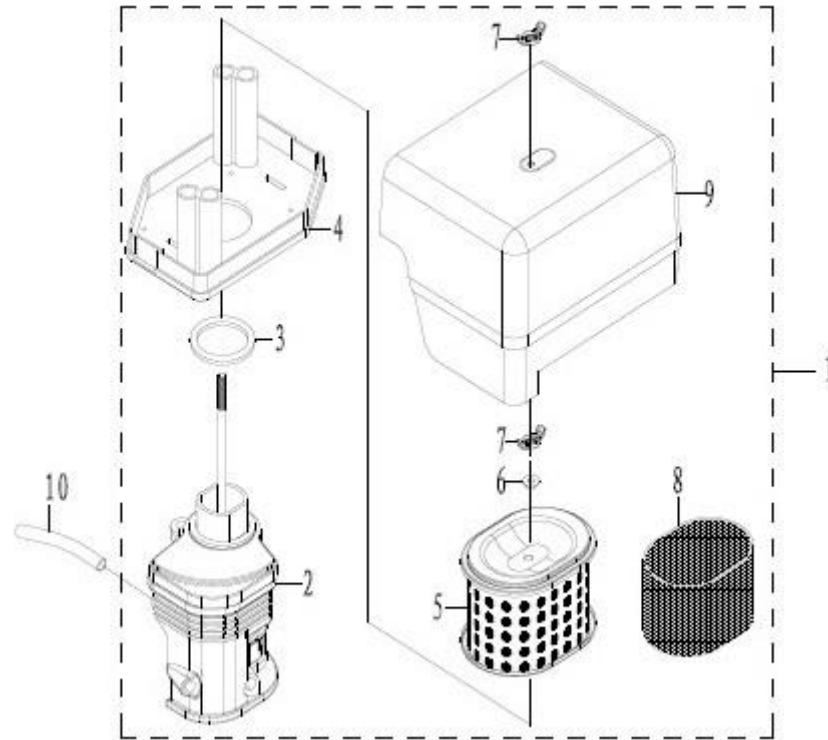
Ref. No	Parts No	Parts Name	Q'ty	Remarks	Ref. No	Parts No	Parts Name	Q'ty	Remarks
1	11.007.009.0936	Starter assy	1		9	11.007.009.9005	Starter ratchet	1	
2	11.007.009.9067	Fan cover	1		10	11.007.009.9023	Return spring	2	
3	12.002.013.0140	Bolt M6x12 GB/T5789	5		11	11.007.009.9004	Recoil starter reel	1	
4	11.008.011.0001	Engine stop switch assy	1		12	11.007.009.9001	Starter return spring	1	
4.1	11.007.009.9030	Recoil starter plug	1		13	11.007.009.9021	Recoil starter cover comp	1	
5	11.007.009.9046	Recoil starter comp	1		14	11.007.009.9010	Recoil starter rope	1	
6	11.007.009.9027	Pivot screw	1		15	11.007.009.9029	Starter pulling handle	1	
7	11.007.009.9026	Guide ratchet	1		16	12.006.009.0040	Flat pad 6 GB/T95	3	
8	11.007.009.9025	Friction spring	1		17	12.002.001.0003	Bolt M6x10	3	

## Intake System



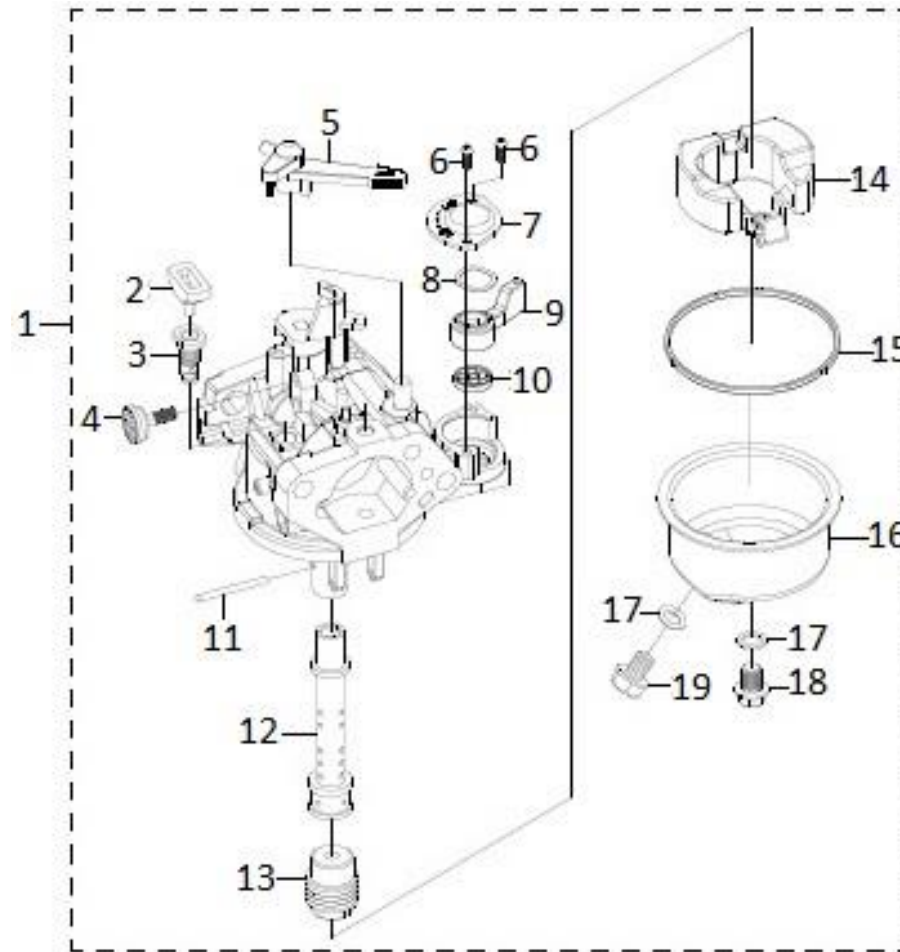
Ref. No	Parts No	Parts Name	Q'ty	Remarks	Ref. No	Parts No	Parts Name	Q'ty	Remarks
1	11.001.009.0041	Intake gasket	1		5	11.001.012.0031	Air cleaner gasket	1	
2	11.001.004.0041	Carburetor connecting block	1		6	11.001.016.0202	Air cleaner assy	1	
3	11.001.005.0041	Carburetor gasket	1		7	12.002.013.0180	Bolt M6x22	1	
4	11.009.006.0252	Carburetor	1		8	12.001.005.0020	Nut M6	2	

## Air Cleaner



Ref. No	Parts No	Parts Name	Q'ty	Remarks	Ref. No	Parts No	Parts Name	Q'ty	Remarks
1	11.001.016.0043	Air cleaner assy	1		6	11.001.016.9407	Sealing cover	1	
2	11.001.016.9401	Air cleaner case	1		7	11.001.016.9026	Butterfly nut	2	
3	11.001.016.9409	Sealing ring	1		8	11.001.016.9005	Air cleaner sponge element	1	
4	11.001.016.9406	Air cleaner lower cover	1		9	11.001.016.9408	Air cleaner cover	1	
5	11.001.016.9008	Air cleaner paper element	1		10	11.001.002.0302	Waste gas tube	1	

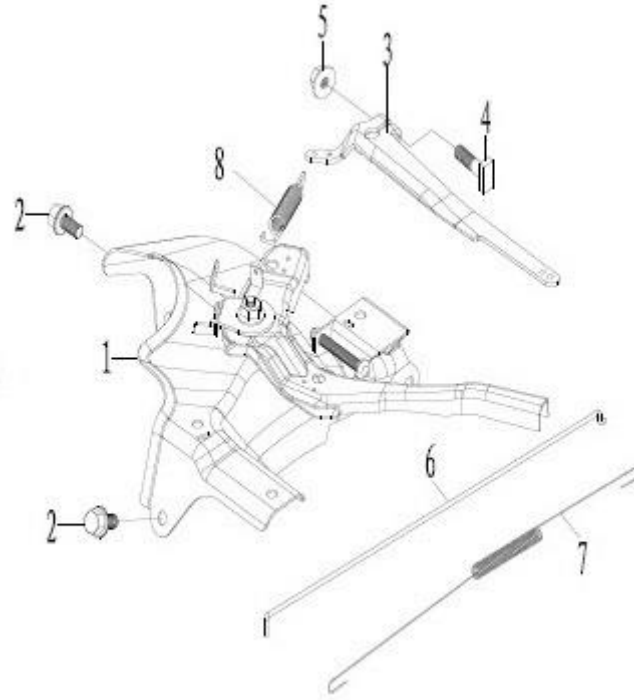
# Carburetor



## Carburetor

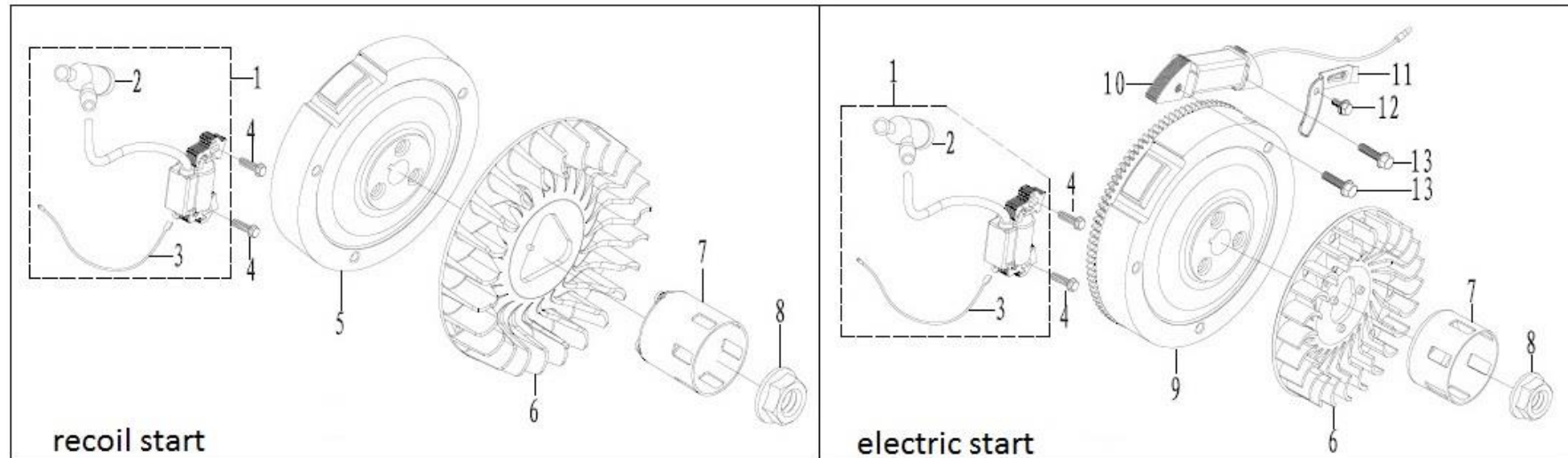
Ref. No	Parts No	Parts Name	Q'ty	Remarks	Ref. No	Parts No	Parts Name	Q'ty	Remarks
1	11.009.006.0101	Carburetor assy	1		11	11.009.006.9021	Pin	1	
2	11.009.006.9098	Idle hole cap	1		12	11.009.006.9144	Main nozzle	1	
3	11.009.006.9119	Idle hole comp	1		13	11.009.006.9145	Main jet	1	
4	11.009.006.9007	Idle limit screw	1		14	11.009.006.9028	Float	1	
5	11.009.006.9016	Choke handle	1		15	11.009.006.9029	Float chamber sealing ring	1	
6	11.009.006.9069	Screw	2		16	11.009.006.9030	Float chamber	1	
7	11.009.006.9126	Fuel switch cover	1		17	11.009.006.9086	Gasket	1	
8	11.009.006.9136	Washer	1		18	11.009.006.9085	Bolt	1	
9	11.009.006.9015	Fuel switch handle	1		19	11.009.006.9087	Drain plug bolt	1	
10	11.009.006.9135	Fuel switch sealing ring	1						

## Throttle Control



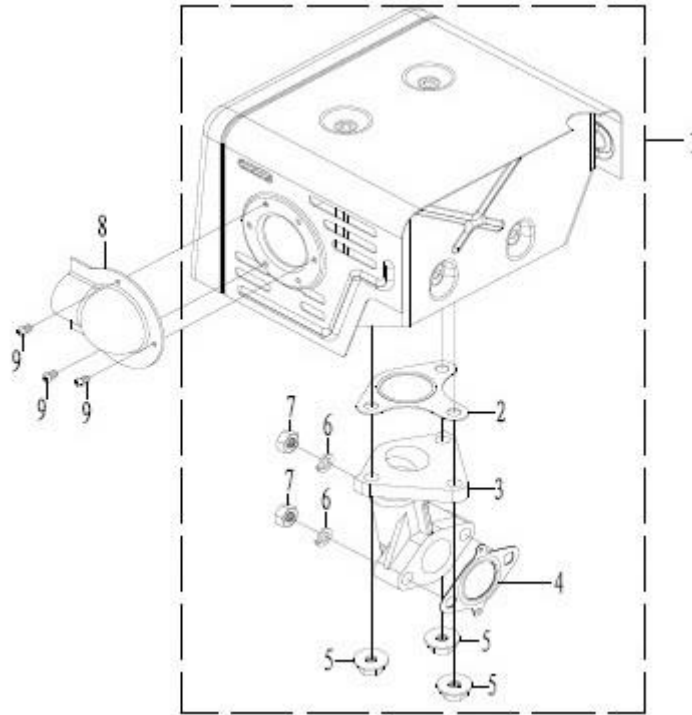
Ref. No	Parts No	Parts Name	Q'ty	Remarks	Ref. No	Parts No	Parts Name	Q'ty	Remarks
1	11.102.023.0402	Throttle control assy	1		5	12.001.005.0020	Nut M6 GB/T6177	1	
2	12.002.013.0030	Bolt M6x12 GB/T5789	2		6	11.012.018.0301	Tie rod	1	
3	11.012.013.0401	Governor arm	1		7	11.012.020.0301	Fine governor spring	1	
4	12.002.005.0030	T-shape bolt	1		8	11.012.010.0601	Governor spring	1	

## Flywheel and Ignition Assy



Ref. No	Parts No	Parts Name	Q'ty	Remarks	Ref. No	Parts No	Parts Name	Q'ty	Remarks
1	11.008.004.0151	Ignition assy	1		8	12.001.005.0090	Nut M16x1.5 GB/T6177	1	
2	11.008.004.9002	Spark plug cap	1		9	11.008.007.0201	Flywheel (electric start)	1	
3	11.008.013.0180	Engine stop switch cord	1		10	11.008.002.0001	Charging coil	1	
4	12.002.013.0180	Bolt M6x22 GB/T5789	2		11	12.008.012.0051	Pressure wire board	1	
5	11.008.007.0202	Flywheel (recoil start)	1		12	12.002.013.0140	Bolt M6x12 GB/T5789	1	
6	11.010.012.0151	Fan, cooling	1		13	12.002.013.0190	Bolt M6x25 GB/T5789	2	
7	11.007.006.0151	Recoil starter pulley	1						

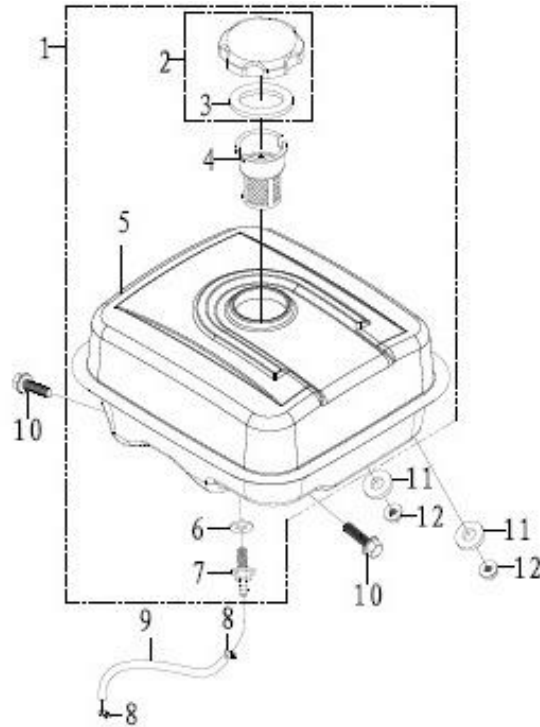
## Exhaust System



Ref. No	Parts No	Parts Name	Q'ty	Remarks	Ref. No	Parts No	Parts Name	Q'ty	Remarks
1	11.002.011.0303	Muffler comp	1		6	12.006.008.0030	Spring washer 8 GB/T93	2	
2	11.002.002.0001	Muffler gasket	1		7	12.001.001.0080	Nut M8 GB/T6170	1	
3	11.002.001.0101	Exhaust pipe comp	1		8	11.002.011.9005	Exhaust cover	1	
4	11.002.004.0101	Exhaust washer	1		9	12.003.013.0003	Screw ST4.3x5 GB/T845	3	
5	12.001.009.0041	Nut M8 GB/T6187	1						



## Fuel Oil System



Ref. No	Parts No	Parts Name	Q'ty	Remarks	Ref. No	Parts No	Parts Name	Q'ty	Remarks
1	11.009.034.1003	Fuel tank comp	1		7	11.009.034.9004	Joint	1	
2	11.009.034.9039	Fuel tank cap comp	1		8	11.009.023.0001	Fuel tube clip	2	
3	11.009.034.9019	Fuel tank cap sealing ring	1		9	11.009.005.0102	Fuel tube L225	1	
4	11.009.034.9012	Fuel filter	1		10	12.002.013.0034	Bolt M6x25 GB/T5789	2	
5	11.009.034.9042	Fuel tank	1		11	11.009.029.0003	Buffer pad	2	
6	11.009.034.9013	Sealing ring	1		12	12.001.005.0020	Nut M6 GB/T6177	2	