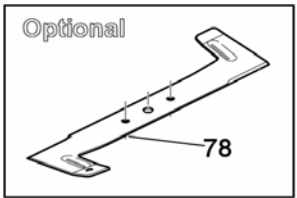
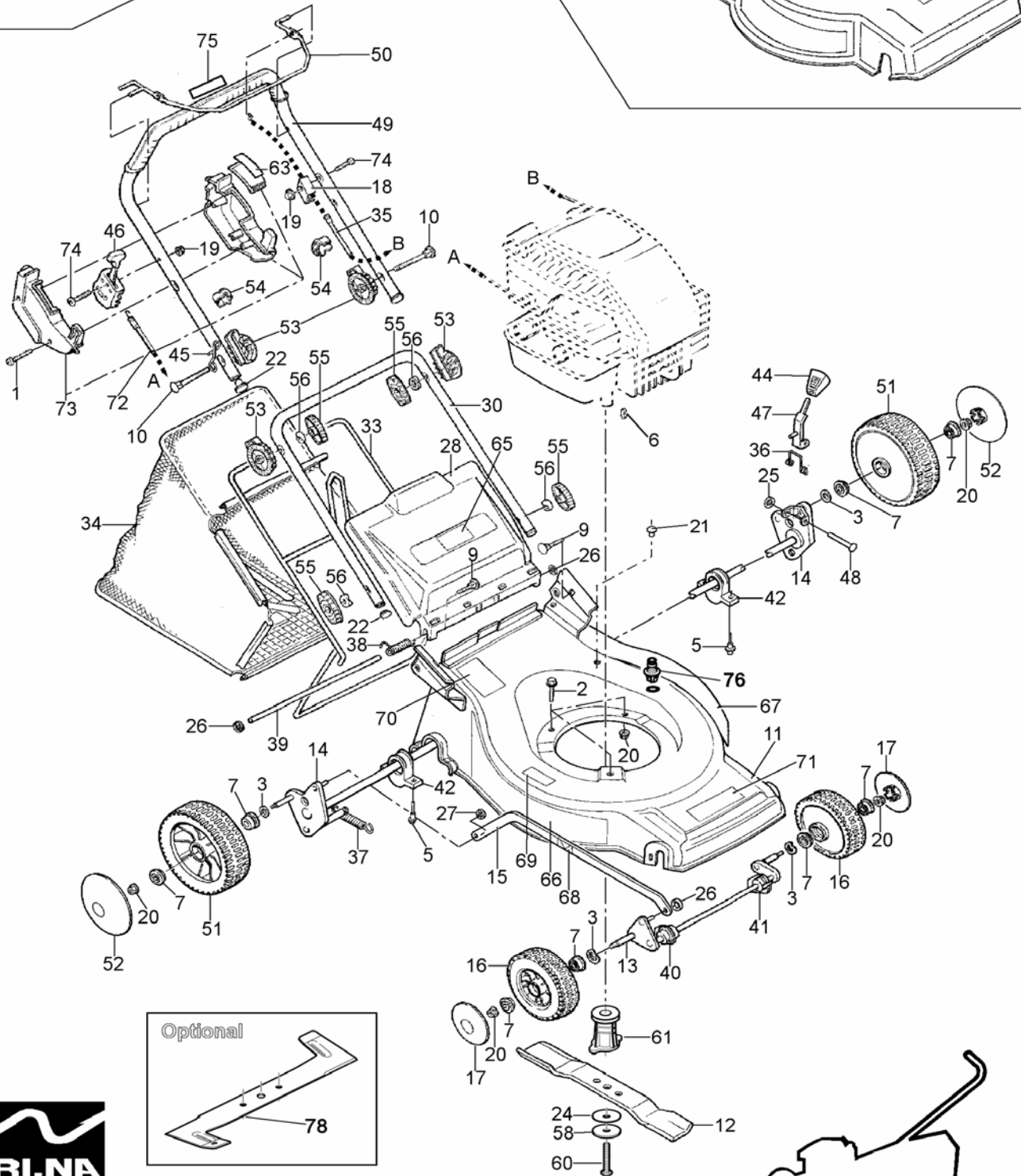
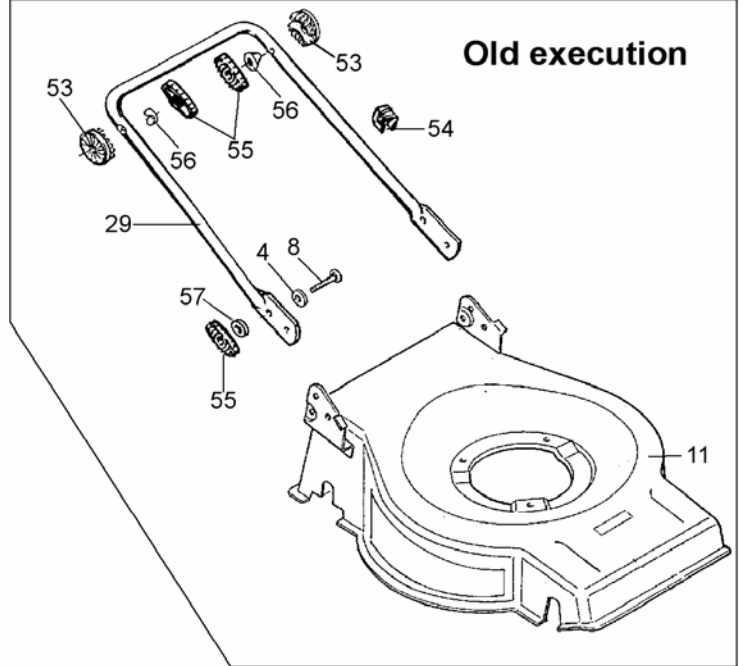
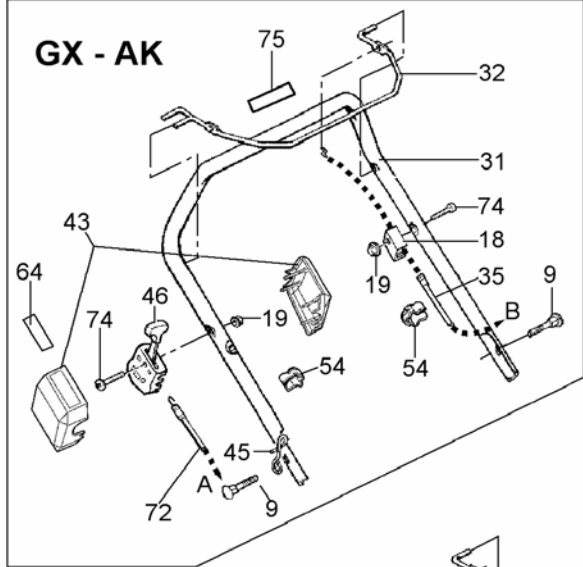


GT 47 - GX 46 - GX 47 - AK 47



RICAMBI ORIGINALI

MA.RI.NA.

GT 47 - GX 46 - GX 47 - AK 47

| POS. | CODICE | I | F | D | GB | E | GT 47 | GX 46 | GX 47 | AK 47 |
|------|-------------|--------------------|-------------------|-----------------|------------------|-------------------|-----------------------------------|-------|-------|-------|
| 1 | CP025040 | VITE AUTOF. | VIS | SCHRAUBE | SCREW | TORNILLO | 2 | | | |
| 2 | CP030830 | VITE TE | VIS | SCHRAUBE | SCREW | TORNILLO | 3 | 3 | | 3 |
| 3 | CP032813 | RONDELLA | RONDELLE | SCHEIBE | WASHER | ARANDELA | 4 | 4 | 4 | 4 |
| 3 | CP032913 | RONDELLA | RONDELLE | SCHEIBE | WASHER | ARANDELA | 4 X RUOTE CP047118.98-CP053118.98 | | | |
| 4 | CP032913 | RONDELLA | RONDELLE | SCHEIBE | WASHER | ARANDELA | 2 | 2 | 2 | 2 |
| 5 | CP034615 | RIVETTO | RIVET | NIET | RIVET | CLAVO | 4 | 4 | 4 | 4 |
| 6 | CP037406 | CHIAVETTA | CLAVETTE | SCHLÜSSELCHEN | WOODRUFF KEY | CHAVETA | 1 | 1 | 1 | 1 |
| 7 | CP038227 | CUSCINETTO 12X27 | ROULEMENT | KUGELLAGER | BALL BEARING | COJINETE | 8 | 8 | 8 | 8 |
| 7 | CP038228 | CUSCINETTO | ROULEMENT | KUGELLAGER | BALL BEARING | COJINETE | 8 X RUOTE CP047118.98-CP053118.98 | | | |
| 8 | CP040835 | VITE TTQST | VIS | SCHRAUBE | SCREW | TORNILLO | 2 | 2 | 2 | 2 |
| 9 | CP040850 | VITE TTQST | VIS | SCHRAUBE | SCREW | TORNILLO | 2 | 4 | 4 | 4 |
| 10 | CP040875 | VITE TTQST | VIS | SCHRAUBE | SCREW | TORNILLO | 2 | | | |
| 11 | CP046001.02 | CHASSIS ROSSO | CARTER | GEHÄUSE | DECK | CHASIS | | 1 | | |
| 11 | CP047001 | CHASSIS VERDE | CARTER | GEHÄUSE | DECK | CHASIS | 1 | | | |
| 11 | CP047001.02 | CHASSIS ROSSO | CARTER | GEHÄUSE | DECK | CHASIS | | | 1 | |
| 11 | CP047001.03 | CHASSIS ARGENTO | CARTER | GEHÄUSE | DECK | CHASIS | | | | 1 |
| 12 | CP047013 | LAMA | LAME | MESSER | BLADE | CUCHILLA | 1 | 1 | 1 | 1 |
| 13 | CP047048 | ASSALE ANT | AXE AVANT | VORDERACHSE | FRONT AXLE | EJE ANTERIOR | 1 | 1 | 1 | 1 |
| 14 | CP047053 | ASSALE POS | AXE ARRIERE | HINTERACHSE | REAR AXLE | EJE POSTERIOR | 1 | 1 | 1 | 1 |
| 15 | CP047063 | TIRANTE ASSALE | BARRE | GESTÄNGE | LINK ROD | TIRANTE EJE | 1 | 1 | 1 | 1 |
| 16 | CP050106 | RUOTA 180 | ROUE | RAD | WHEEL | RUEDA | | 2 | 2 | 2 |
| 16 | CP050108 | RUOTA 180 | ROUE | RAD | WHEEL | RUEDA | 2 (fino a / till 12/2005) | | | |
| 16 | CP047118.98 | RUOTA 180 PH ZINCA | ROUE ACIER | VERZINKTES RAD | ZINC WHEEL | RUEDA ZINC | 2 (da / from 01/2006) | | | |
| 17 | CP050127 | COPRIRUOTA 180 | CACHE MOYEU | RADDECKUNG | HUB CAP | TAPA RUEDA | 2 (da/from 04/2004 a/to 12/2005) | | | |
| 17 | CP050128 | COPRIRUOTA 180 | CACHE MOYEU | RADDECKUNG | HUB CAP | TAPA RUEDA | 2 (fino a / till 04/2004) | | | |
| 17 | CP047133 | COPRIRUOTA | CACHE MOYEU | RADDECKUNG | HUB CAP | TAPA RUEDA | 2 (da / from 01/2006) | | | |
| 18 | CP042216 | BLOCCETTO CAVO | ATTACHE CABLE FRE | KABELBESCHWERER | CLIP | FIJADOR CABLE | 1 | 1 | 1 | 1 |
| 19 | CP042806 | DADO | ÉCROU | MUTTER | KNOB | ESPARRAGO | 2 | 2 | 2 | 2 |
| 20 | CP042808 | DADO | ÉCROU | MUTTER | KNOB | ESPARRAGO | 7 | 7 | 7 | 7 |
| 21 | CP045713 | TAPPO | COUVERCLE | KAPPE | CAP | TAPA | 1 | 1 | 1 | 1 |
| 22 | CP045722 | TAPPO | COUVERCLE | KAPPE | CAP | TAPA | 4 | 2 | 2 | 2 |
| 24 | CP045911 | MOLLA A TAZZA | RONDELLE | SCHEIBE | WASHER | MUELLE | 1 | 1 | 1 | 1 |
| 25 | CP046606 | RITEGNO | CLIP | RÜCKHALT | RETAINER | ANILLO CLIP | 1 | 1 | 1 | 1 |
| 26 | CP046607 | RITEGNO | CLIP | RÜCKHALT | RETAINER | ANILLO CLIP | 3 | 3 | 3 | 3 |
| 27 | CP046608 | RITEGNO | CLIP | RÜCKHALT | RETAINER | ANILLO CLIP | 1 | 1 | 1 | 1 |
| 28 | CP047018 | PARASASSI | DEFLECTEUR | DEFLEKTOR | REAR DOOR | DEFLECTOR | 1 | 1 | 1 | 1 |
| 29 | CP047033 | MANICO INF. | GUIDON | STIEL | HANDLE | MANILLAR | 1 | 1 | 1 | 1 |
| 30 | CP047034 | MANICO INF. | GUIDON | STIEL | HANDLE | MANILLAR | 1 | 1 | 1 | 1 |
| 31 | CP047042 | MANICO SUP. | GUIDON | STIEL | HANDLE | MANILLAR | | 1 | 1 | 1 |
| 32 | CP047071 | LEVA FRENO | LEVIER FREIN | STANGE | LEVER | LEVA | | 1 | 1 | 1 |
| 33 | CP047078 | TELAIO CESTO | ATTELAGE | GRASFANGARMEN | FRAME | ARMAZON SACO | 1 | 1 | 1 | 1 |
| 34 | CP047083 | TELA CESTO BIANCA | SAC RAMASSEUR | GRASFANGSACK | GRASS BAG | SACO TELA | 1 | | | 1 |
| 34 | CP047083.05 | TELA CESTO NERA | SAC RAMASSEUR | GRASFANGSACK | GRASS BAG | SACO TELA | | 1 | 1 | |
| 35 | ?-TAB-FR | CAVO FRENO | CABLE FREIN | KABEL | CABLE | CABLE | 1 | 1 | 1 | 1 |
| 36 | CP047191 | MOLLA | RESSORT | FEDER | SPRING | MUELLE | 1 | 1 | 1 | 1 |
| 37 | CP047192 | MOLLA | RESSORT | FEDER | SPRING | MUELLE | 1 | 1 | 1 | 1 |
| 38 | CP050192 | MOLLA PARASASSI | RESSORT | FEDER | SPRING | MUELLE | 1 | 1 | 1 | 1 |
| 39 | CP047203 | ASTINA | AXE PIVOT | STANGE | HINGE PIN | EJE DEFLECTOR | 1 | 1 | 1 | 1 |
| 40 | CP047212 | SUPPORTO ASSALE | SUPPORT | ACHSELAGER | SUPPORT | SOPORTE | 1 | 1 | 1 | 1 |
| 41 | CP047213 | SUPPORTO ASSALE | SUPPORT | ACHSELAGER | SUPPORT | SOPORTE | 1 | 1 | 1 | 1 |
| 42 | CP047214 | SUPPORTO ASSALE | SUPPORT | ACHSELAGER | SUPPORT | SOPORTE | 2 | 2 | 2 | 2 |
| 43 | CP047220 | COPRIACCELERATOR | COUVERCLE | DECKEL | COVER | COPA PROTECTORA | | 1 | 1 | 1 |
| 44 | CP047236 | CAPPUCCIO | CACHE MOYEU | KAPPE | HOOD | POMO | 1 | 1 | 1 | 1 |
| 45 | CP047242 | GANCIO FUNE AVV. | PORTE CABLE | KABELHALTER | CABLE SUPPORT | FIJADOR CABLE | 1 | 1 | 1 | 1 |
| 46 | CP047250 | COMANDO ACCELE | LEVIER | STANGE | THROTTLE LEVER | LEVA | 1 | 1 | 1 | 1 |
| 47 | CP047255 | LEVA ALZO | LEVIER | STANGE | LEVER | LEVA ALTURAS | 1 | 1 | 1 | 1 |
| 48 | CP047267 | PERNO | GOUJON | ZAPFEN | PIN | PERNO | 1 | 1 | 1 | 1 |
| 49 | CP050043 | MANICO SUP. | GUIDON | STIEL | HANDLE | MANILLAR | 1 | | | |
| 50 | CP050071 | LEVA FRENO | LEVIER FREIN | STANGE | LEVER | LEVA | 1 | | | |
| 51 | CP050110 | RUOTA 200 | ROUE | RAD | WHEEL | RUEDA | | 2 | 2 | 2 |
| 51 | CP050112 | RUOTA 200 | ROUE | RAD | WHEEL | RUEDA | 2 (fino a / till 12/2005) | | | |
| 51 | CP053118.98 | RUOTA 209 PH ZINCA | ROUE ACIER | VERZINKTES RAD | ZINC WHEEL | RUEDA ZINC | 2 (da / from 01/2006) | | | |
| 52 | CP050132 | COPRIRUOTA 200-230 | CACHE MOYEU | RADDECKUNG | HUB CAP | TAPA RUEDA | 2 (da/from 04/2004 a/to 12/2005) | | | |
| 52 | CP050130 | COPRIRUOTA 200 | CACHE MOYEU | RADDECKUNG | HUB CAP | TAPA RUEDA | 2 (fino a / till 04/2004) | | | |
| 52 | CP047133 | COPRIRUOTA | CACHE MOYEU | RADDECKUNG | HUB CAP | TAPA RUEDA | 2 (da / from 01/2006) | | | |
| 53 | CP050212 | REGOLATORE MANIC | REGLAGE DE GUIDON | STIELREGULATOR | HANDLE REGULATOR | REGULADOR MANILLA | 4 | | | |
| 54 | CP050222 | FERMACAVO | ATTACHE CABLE | KABELBESCHWERER | CLIP | FIJADOR CABLE | 2 | 2 | 2 | 2 |
| 55 | CP050228 | POMOLO MANICO | ÉCROU | GRIFF | KNOB HANDLE | POMO MANILLAR | 4 | 4 | 4 | 4 |
| 56 | CP050230 | RONDELLA | RONDELLE | SCHEIBE | WASHER | ARANDELA | 4 | 4 | 4 | 4 |
| 57 | CP050233 | RONDELLA | RONDELLE | SCHEIBE | WASHER | ARANDELA | 2 | 2 | 2 | 2 |
| 58 | CP053250 | RONDELLA | RONDELLE | SCHEIBE | WASHER | ARANDELA | 1 | 1 | 1 | 1 |
| 60 | CP050965 | VITE LAMA 10.9 | VIS 10.9 | SCHRAUBE 10.9 | SCREW 10.9 | TORNILLO 10.9 | 1 | 1 | 1 | 1 |
| 61 | CP053274B22 | MOZZO D.22.2 +PULE | PORTE LAME + POUL | MESSERHALTER | BLADE ADAPTOR+PU | PORTA CUCHILLA+PO | 1 (Ø Shaft 22,2 mm) | | | |
| 61 | CP053274B25 | MOZZO D.25 +PULE | PORTE LAME + POUL | MESSERHALTER | BLADE ADAPTOR+PU | PORTA CUCHILLA+PO | 1 (Ø Shaft 25 mm) | | | |
| 63 | CP053710 | DECALCO | DECALQUE | ETIKETTE | DECAL | CARTEL | 1 | | | |
| 64 | CP053713 | DECALCO | DECALQUE | ETIKETTE | DECAL | CARTEL | | 1 | 1 | 1 |
| 65 | CP053715 | DECALCO | DECALQUE | ETIKETTE | DECAL | CARTEL | 1 | 1 | 1 | 1 |
| 66 | CP053726 | DECALCO | DECALQUE | ETIKETTE | DECAL | CARTEL | 1 | | | |
| 67 | CP053727 | DECALCO | DECALQUE | ETIKETTE | DECAL | CARTEL | 1 | | | |
| 68 | CP053802 | DECALCO | DECALQUE | ETIKETTE | DECAL | CARTEL | 1 | 1 | 1 | 1 |
| 69 | CP053806 | DECALCO | DECALQUE | ETIKETTE | DECAL | CARTEL | 1 | 1 | 1 | 1 |
| 70 | CP053813 | DECALCO | DECALQUE | ETIKETTE | DECAL | CARTEL | 1 | 1 | 1 | 1 |
| 71 | CP053861 | DECALCO GALAXY | DECALQUE | ETIKETTE | DECAL | CARTEL | | 1 | 1 | |
| 71 | CP053910 | DECALCO GREENTEA | DECALQUE | ETIKETTE | DECAL | CARTEL | 1 | | | |
| 71 | CP053849 | DECALCO AKITA | DECALQUE | ETIKETTE | DECAL | CARTEL | | | | 1 |
| 72 | ?-TAB-AC | CAVO ACCELERATOR | CABLE GAZ | KABEL | CABLE | CABLE | 1 | 1 | 1 | 1 |

