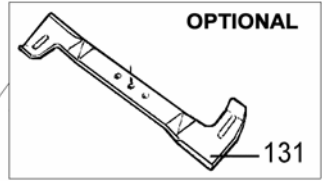
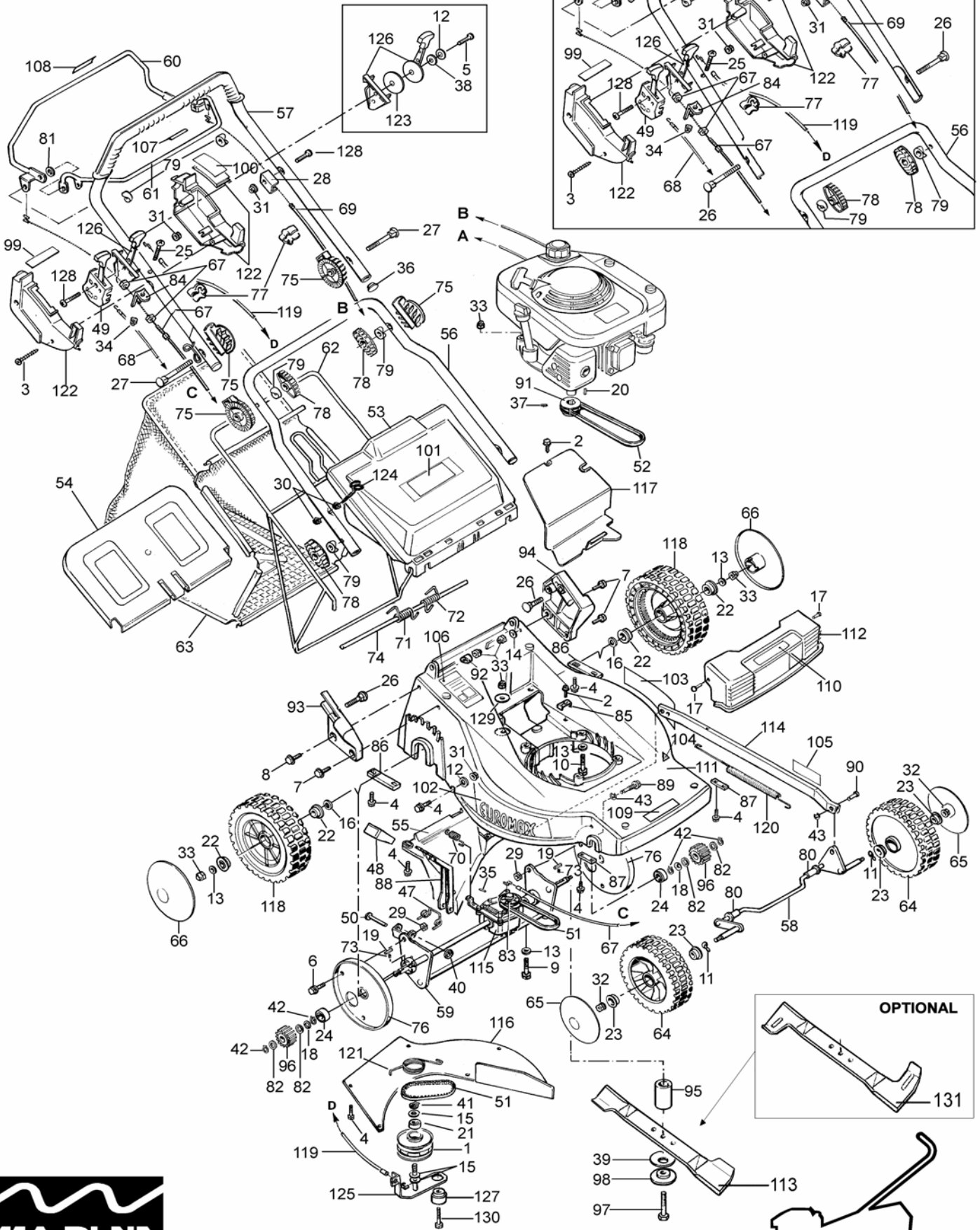
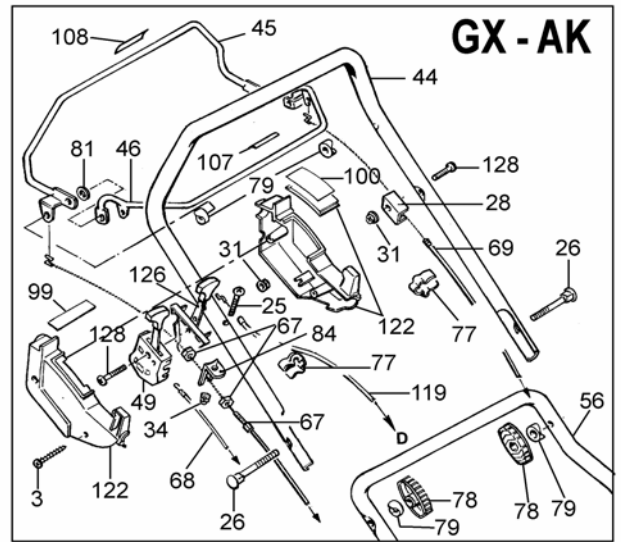


GT 56 S VV - GX 56 S VV - AK 56 S VV



RICAMBI ORIGINALI

MA.RI.NA.

GT 56 S VV - GX 56 S VV - AK 56 S VV

| POS. | CODICE | I | F | D | GB | E | GT | GX | AK | | |
|------|-------------|--------------------|------------------|-----------------|----------------|----------------|-------------------------------------|------------------------------|----|--|--|
| 1 | AS005976 | PULEGGIA VARIAB | POULIE | RIEMENSCHLEIBE | PULLEY | POLEA | 1 | 1 | 1 | | |
| 2 | CP024816 | VITE AUTOF. | VIS | SCHRAUBE | SCREW | TORNILLO | 2 | 2 | 2 | | |
| 3 | CP025040 | VITE AUTOF. | VIS | SCHRAUBE | SCREW | TORNILLO | 2 | 2 | 2 | | |
| 4 | CP026016 | VITE AUTOF. | VIS | SCHRAUBE | SCREW | TORNILLO | 16 | 16 | 16 | | |
| 5 | CP030620 | VITE TE | VIS | SCHRAUBE | SCREW | TORNILLO | 1 | 1 | 1 | | |
| 6 | CP030812 | VITE TE | VIS | SCHRAUBE | SCREW | TORNILLO | 1 | 1 | 1 | | |
| 7 | CP030825 | VITE TE | VIS | SCHRAUBE | SCREW | TORNILLO | 3 | 3 | 3 | | |
| 8 | CP030850 | VITE TE | VIS | SCHRAUBE | SCREW | TORNILLO | 1 | 1 | 1 | | |
| 9 | CP030855 | VITE TE | VIS | SCHRAUBE | SCREW | TORNILLO | 2 | 2 | 2 | | |
| 10 | CP030880 | VITE TE | VIS | SCHRAUBE | SCREW | TORNILLO | 1 | 1 | 1 | | |
| 11 | CP032813 | RONDELLA | RONDELLE | SCHEIBE | WASHER | ARANDELA | 2 | 2 | 2 | | |
| 11 | CP032913 | RONDELLA | RONDELLE | SCHEIBE | WASHER | ARANDELA | 4 X RUOTE CP047118.98 - CP057128.98 | | | | |
| 12 | CP032907 | RONDELLA | RONDELLE | SCHEIBE | WASHER | ARANDELA | 2 | 2 | 2 | | |
| 13 | CP032908 | RONDELLA | RONDELLE | SCHEIBE | WASHER | ARANDELA | 5 | 5 | 5 | | |
| 14 | CP032909 | RONDELLA | RONDELLE | SCHEIBE | WASHER | ARANDELA | 4 | 4 | 4 | | |
| 15 | CP032910 | RONDELLA | RONDELLE | SCHEIBE | WASHER | ARANDELA | 3 | 3 | 3 | | |
| 16 | CP032913 | RONDELLA | RONDELLE | SCHEIBE | WASHER | ARANDELA | 5 | 5 | 5 | | |
| 17 | CP034411 | RIVETTO | RIVET | NIET | RIVET | CLAVO | 2 | 2 | 2 | | |
| 18 | CP035905 | RASAMENTO | RONDELLE | SCHEIBE | WASHER | ARANDELA | 2 | 2 | 2 | | |
| 19 | CP037305 | CHIAVETTA | CLAVETTE | SCHLÜSSELCHEN | WOODRUFF KEY | CHAVETA | 2 | 2 | 2 | | |
| 20 | CP037406 | CHIAVETTA | CLAVETTE | SCHLÜSSELCHEN | WOODRUFF KEY | CHAVETA | 1 | 1 | 1 | | |
| 21 | CP038026 | CUSCINETTO | ROULEMENT | KUGELLAGER | BALL BEARING | COJINETE | 2 | 2 | 2 | | |
| 22 | CP038226 | CUSCINETTO 12X26 | ROULEMENT | KUGELLAGER | BALL BEARING | COJINETE | 4 | 4 | 4 | | |
| 22 | CP038228 | CUSCINETTO | ROULEMENT | KUGELLAGER | BALL BEARING | COJINETE | 4 X RUOTE CP057128.98 | | | | |
| 23 | CP038227 | CUSCINETTO 12X27 | ROULEMENT | KUGELLAGER | BALL BEARING | COJINETE | 4 | 4 | 4 | | |
| 23 | CP038228 | CUSCINETTO | ROULEMENT | KUGELLAGER | BALL BEARING | COJINETE | 4 X RUOTE CP047118.98 | | | | |
| 24 | CP038228 | CUSCINETTO | ROULEMENT | KUGELLAGER | BALL BEARING | COJINETE | 2 | 2 | 2 | | |
| 25 | CP040630 | VITE TTQST | VIS | SCHRAUBE | SCREW | TORNILLO | 1 | 1 | 1 | | |
| 26 | CP040850 | VITE TTQST | VIS | SCHRAUBE | SCREW | TORNILLO | 2 | 4 | 4 | | |
| 27 | CP040875 | VITE TTQST | VIS | SCHRAUBE | SCREW | TORNILLO | 2 | | | | |
| 28 | CP042216 | BLOCCETTO CAVO | ATTACHE CABLE FR | KABELBESCHWERE | CLIP | FIJADOR CABLE | 1 | 1 | 1 | | |
| 29 | CP042708 | DADO | ÉCROU | MUTTER | KNOB | ESPARRAGO | 2 | 2 | 2 | | |
| 30 | CP042805 | DADO | ÉCROU | MUTTER | KNOB | ESPARRAGO | 2 | 2 | 2 | | |
| 31 | CP042806 | DADO | ÉCROU | MUTTER | KNOB | ESPARRAGO | 3 | 3 | 3 | | |
| 32 | CP042808 | DADO | ÉCROU | MUTTER | KNOB | ESPARRAGO | 2 | 2 | 2 | | |
| 33 | CP044708 | DADO | ÉCROU | MUTTER | KNOB | ESPARRAGO | 10 | 10 | 10 | | |
| 34 | CP044906 | DADO | ÉCROU | MUTTER | KNOB | ESPARRAGO | 1 | 1 | 1 | | |
| 35 | CP045530 | SPINA | GOUPILLE | DORN | PIN | PASADOR | 1 | 1 | 1 | | |
| 36 | CP045722 | TAPPO | COUVERCLE | KAPPE | CAP | TAPA | 2 | | | | |
| 37 | CP045810 | GRANO | VIS | SCHRAUBE | SCREW | TORNILLO | 1 | 1 | 1 | | |
| 38 | CP045906 | MOLLA A TAZZA | RONDELLE | SCHEIBE | WASHER | MUELLE | 1 | 1 | 1 | | |
| 39 | CP045911 | MOLLA A TAZZA | RONDELLE | SCHEIBE | WASHER | MUELLE | 1 | 1 | 1 | | |
| 40 | CP046606 | RITEGNO | CLIP | RÜCKHALT | RETAINER | ANILLO CLIP | 1 | 1 | 1 | | |
| 41 | CP046810 | SEEGER | SEEGER | RUCKHALT | RETAINER | ANILLO CLIP | 1 | 1 | 1 | | |
| 42 | CP046812 | SEEGER | SEEGER | RUCKHALT | RETAINER | ANILLO CLIP | 4 | 4 | 4 | | |
| 43 | CP046904 | FERMO | CLIP | RÜCKHALT | RETAINER | ANILLO CLIP | 2 | 2 | 2 | | |
| 44 | CP047042 | MANICO SUP. | GUIDON | STIEL | HANDLE | MANILLAR | | 1 | 1 | | |
| 45 | CP047068 | LEVA INNESTO | LEVIER EMBRAYAG | STANGE | LEVER CLUTCH | LEVA | | 1 | 1 | | |
| 46 | CP047073 | LEVA FRENO | LEVIER FREIN | STANGE | LEVER | LEVA | | 1 | 1 | | |
| 47 | CP047191 | MOLLA | RESSORT | FEDER | SPRING | MUELLE | 1 | 1 | 1 | | |
| 48 | CP047236 | CAPPUCCIO | CACHE MOYEU | KAPPE | HOOD | POMO | 1 | 1 | 1 | | |
| 49 | CP047250 | COMANDO ACCELE | LEVIER | STANGE | THROTTLE LEVER | LEVA | 1 | 1 | 1 | | |
| 50 | CP047267 | PERNO | GOUJON | ZAPPEN | PIN | PERNO | 1 | 1 | 1 | | |
| 51 | CP047716 | CINGHIA Z 16 | COURROIE | RIEMEN | BELT | CORREA | 1 | 1 | 1 | | |
| 52 | CP047725 | CINGHIA Z 25 | COURROIE | RIEMEN | BELT | CORREA | 1 | 1 | 1 | | |
| 53 | CP050018 | PARASASSI | DEFLECTEUR | DEFLEKTOR | REAR DOOR | DEFLECTOR | 1 | 1 | 1 | | |
| 54 | CP050023 | COPRICESTO NERO | COUVERCLE | GRASFANFSACKDE | BAG COVER | CARCASA | 1 | | | | |
| 55 | CP050028 | DEFLETTORE | DEFLECTEUR | DEFLEKTOR | DEFLECTOR | DEFLECTOR | 1 | 1 | 1 | | |
| 56 | CP050033 | MANICO INF. | GUIDON | STIEL | HANDLE | MANILLAR | 1 | 1 | 1 | | |
| 57 | CP050043 | MANICO SUP. | GUIDON | STIEL | HANDLE | MANILLAR | 1 | | | | |
| 58 | CP050048 | ASSALE ANT | AXE AVANT | VORDERACHSE | FRONT AXLE | EJE ANTERIOR | 1 | 1 | 1 | | |
| 59 | CP050059 | ASSALE POSTERIO | AXE ARRIERE | HINTERACHSE | REAR AXLE | EJE POSTERIOR | 1 | 1 | 1 | | |
| 60 | CP050068 | LEVA INNESTO | LEVIER EMBRAYAG | STANGE | LEVER CLUTCH | LEVA | 1 | | | | |
| 61 | CP050073 | LEVA FRENO | LEVIER FREIN | STANGE | LEVER | LEVA | 1 | | | | |
| 62 | CP050078 | TELAIO CESTO | ATTELAGE | GRASFANGRAHME | FRAME | ARMAZON SACO | 1 | 1 | 1 | | |
| 63 | CP050083 | TELA CESTO BIANCO | SAC RAMASSEUR | GRASFANGSACK | GRASS BAG | SACO TELA | 1 | | 1 | | |
| 63 | CP050083.05 | TELA CESTO NERO | SAC RAMASSEUR | GRASFANGSACK | GRASS BAG | SACO TELA | | 1 | | | |
| 64 | CP050106 | RUOTA 180 | ROUE | RAD | WHEEL | RUEDA | | 2 | 2 | | |
| 64 | CP050108 | RUOTA 180 | ROUE | RAD | WHEEL | RUEDA | 2 | <--- (fino a / till 12/2005) | | | |
| 64 | CP047118.98 | RUOTA 180 PH ZINCO | ROUE ACIER | VERZINKTES RAD | ZINC WHEEL | RUEDA ZINC | 2 | <--- (da / from 01/2006) | | | |
| 65 | CP050127 | COPRIRUOTA 180 | CACHE MOYEU | RADDECKUNG | HUB CAP | TAPA RUEDA | 2 (da/from 04/2004 a/to 12/2005) | | | | |
| 65 | CP050128 | COPRIRUOTA 180 | CACHE MOYEU | RADDECKUNG | HUB CAP | TAPA RUEDA | 2 (fino a / till 04/2004) | | | | |
| 65 | CP047133 | COPRIRUOTA | CACHE MOYEU | RADDECKUNG | HUB CAP | TAPA RUEDA | 2 (da / from 01/2006) | | | | |
| 66 | CP050132 | COPRIRUOTA 200-2 | CACHE MOYEU | RADDECKUNG | HUB CAP | TAPA RUEDA | 2 (da/from 04/2004 a/to 12/2005) | | | | |
| 66 | CP050133 | COPRIRUOTA 200-2 | CACHE MOYEU | RADDECKUNG | HUB CAP | TAPA RUEDA | 2 (fino a / till 04/2004) | | | | |
| 66 | CP047133 | COPRIRUOTA | CACHE MOYEU | RADDECKUNG | HUB CAP | TAPA RUEDA | 2 (da / from 01/2006) | | | | |
| 67 | CP050139 | CAVO SEMOVENZA | CABLE D'EMBRAYA | SELBSTBEWEGLICH | CABLE CLUTCH | CABLE TRACCION | 1 | 1 | 1 | | |
| 68 | ?-TAB-AC | CAVO ACCELERATO | CABLE GAZ | KABEL | CABLE | CABLE | 1 | 1 | 1 | | |
| 69 | ?-TAB-FR | CAVO FRENO | CABLE FREIN | KABEL | CABLE | CABLE | 1 | 1 | 1 | | |
| 70 | CP050191 | MOLLA | RESSORT | FEDER | SPRING | MUELLE | 1 | 1 | 1 | | |

