

批准	审核	编制
		赵树欣
		2011.11.03

H25 GASOLINE ENGINE PARTS LIST

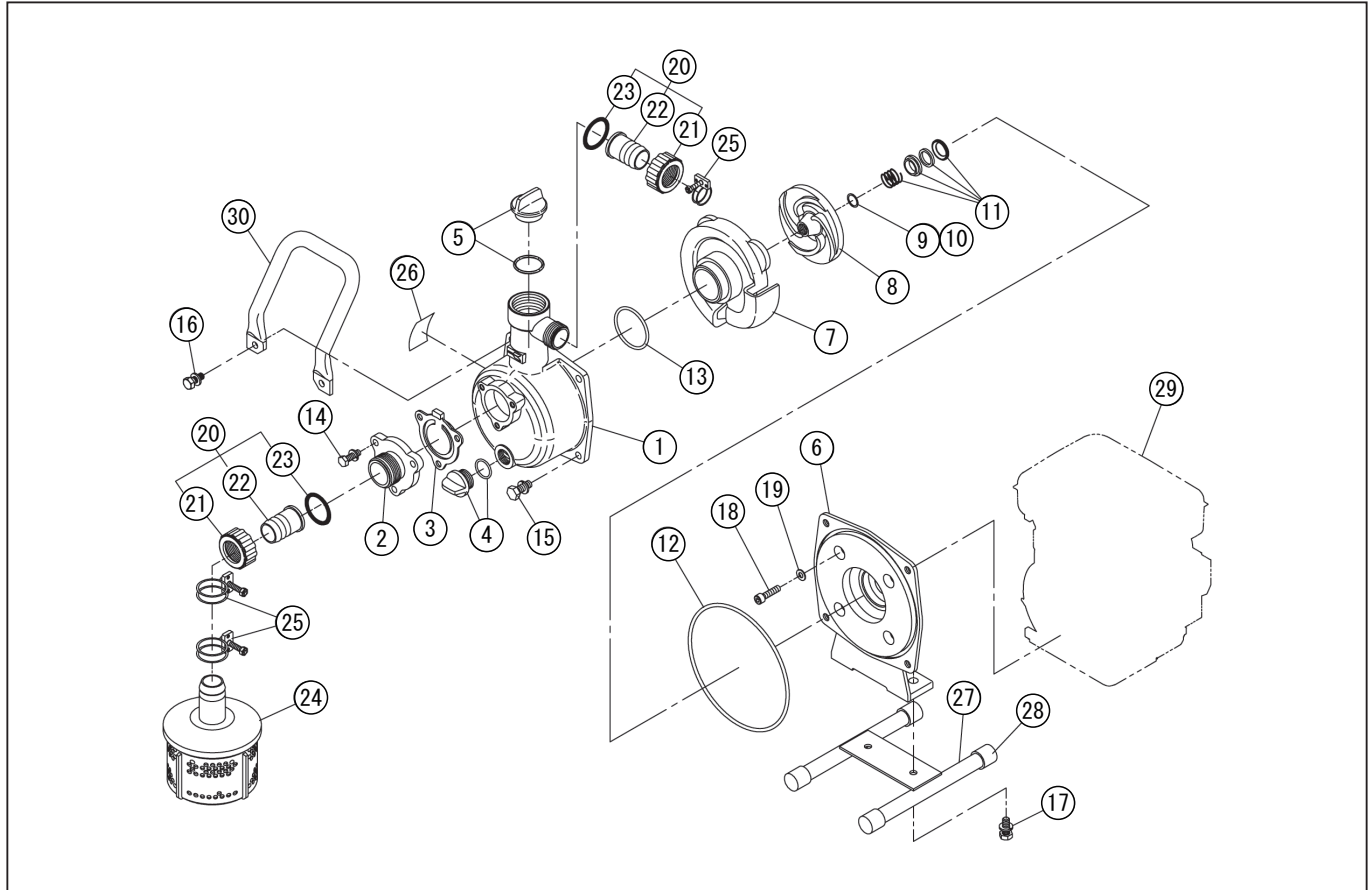
Validity : by 20th January, 2014

*** All new parts indicated in red colour are interchangeable with old parts.**

Item	Part Code	Part Name	Qty
1	100028701	Bolt assy M5×10	1
2	100030201	Housing	1
3	100028501	Bolt assy M5×12	2
4	100024501	Baffle of cylinder top	1
5	100030101	Spark plug RCJ6Y	1
6	100027901	Bolt M5×20	7
7	100031201	Cylinder	1
8	100026301	Gasket,cylinder	1
9	100024001	Ring,piston	2
10	100023801	Piston	1
11	100023901	Pin,piston 8×28	1
12	100024101	Ring, snap	2
13	100029901	Needle bearing	1
14	100024401	Washer,thrust	2
15	100069701	Crank shaft assy	1
16	100029701	Bearing 6001/P53	2
17	100029401	PIN B3×10	2
18	100026701	Gasket,crankcase	1
19	100031101	Rear crankcase	1
20	100030001	Oil seal 12×22×7	2
21	100025901	Starter pulley comp	1
22	100025801	Starter comp	1
23	100028401	Bolt assy M5×16	4
24	100029501	Woodruff key	1
25	100031001	Front crankcase	1
26	100028001	Bolt M5×30	3
27	100070601	Rotor	1
28	100028801	Nut M8×1	1
29	100026101	Connect shaft	1
30	100027801	Bolt M6×20	2
31	100029801	Bearing 6001 ZZCM NSK	1
32	012151401	Flywheel cover	1
33	100024701	Bracket	1
34	100025601	Stop Button Comp.	1
35	100028301	Bolt assy M4×10	2

Item	Part Code	Part Name	Qty
36	100029001	Washer φ4	2
37	100026401	Space,ig coil	2
38	100025701	Wire, lead	1
39	100070901	Ignition coil comp (for CE model)	1
40	100073301	Bolt assy M4×20	2
41	100026801	Gasket,muffler	1
42	100024901	Muffler assy	1
44	100029201	Washer φ5	4
45	100029301	Washer φ5	4
46	100027501	Bolt M5×50	2
47	100026501	Gasket,insulator	1
48	100027301	Insulator	1
49	100027701	Bolt assy M5×25	3
50	100026901	Gasket,carburetor	1
51	100025001	Carburetor comp	1
52	100026601	Gasket,carburetor	1
54	100024201	Clip , pipe	1
56	100069501	Choke Handle	1
57	100030501	Base, cleaner	1
58	100025101	Primer pump assy	1
59	100030301	Choke	1
60	100028101	Bolt ST3×12	1
61	100027101	Air filter element	1
62	100027601	Bolt assy M5×60	2
63	100030601	Cover, cleaner	1
64	100030701	Knob,cover	1
65	100026001	Fuel filter comp	1
67	100027001	Fuel pipe plug	1
68	100030801	Fule tank	1
69	100027201	Cap,fule tank	1
70	100028201	Bolt assy M5×25	3
71	100029101	Washer φ5	3
72	100027401	Washer	3
73	100025501	Cable Comp	1
74	100026201	Throttle Lever	1
75	100028901	Nut M6	2

AT-25

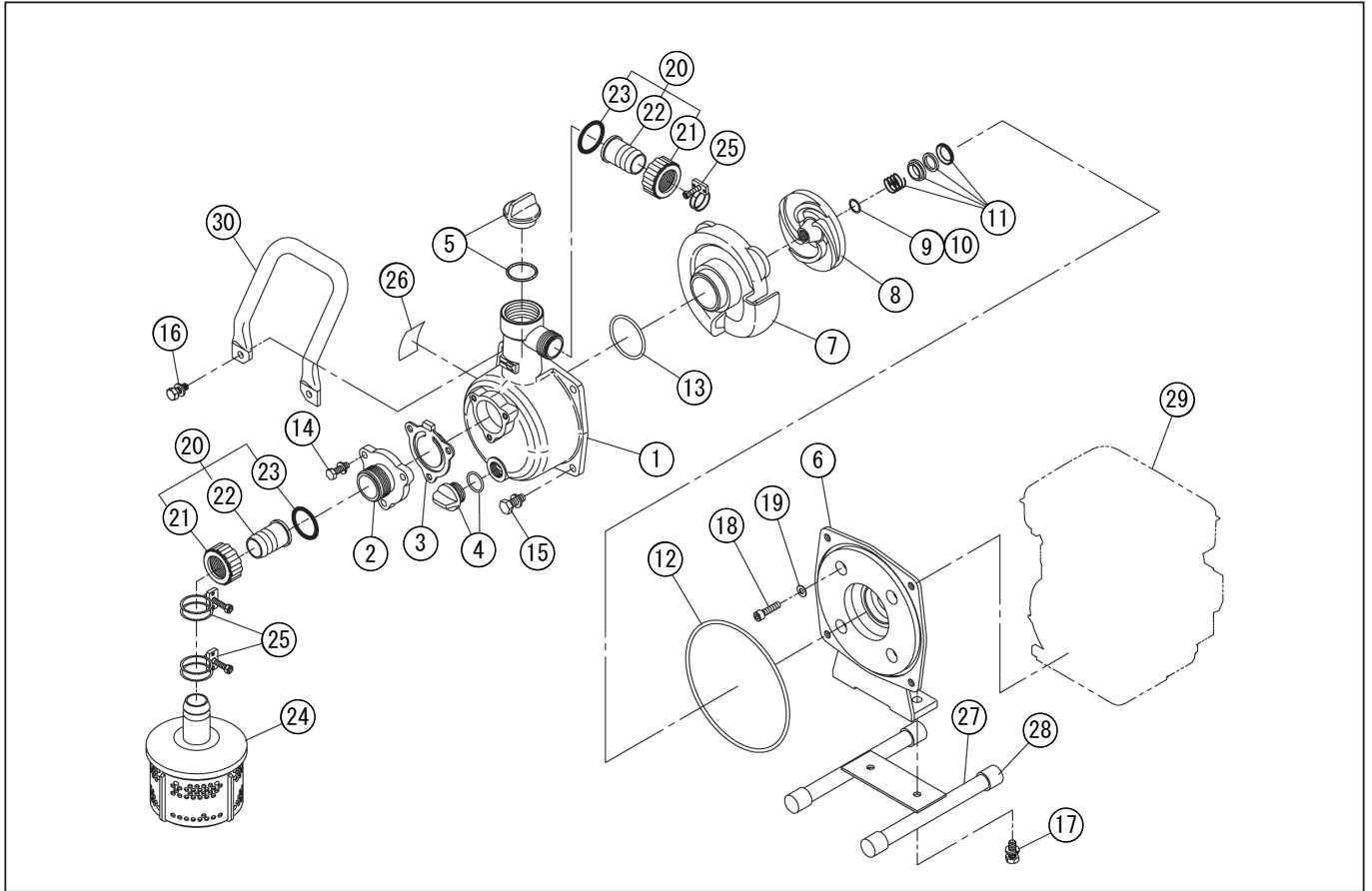


DWG No.012911907 MODELE:SEV-25L FORM:SEV-25L-BAC-0

No.	PARTS CODE	PARTS NAME	QTY	MATERIAL/SIZE	LIST PRICE	REMARKS
1	0113329	PUMP CASING	1	ADC		
2	0113325	SUCTION FLANGE	1	ADC		
3	0113326	CHECK VALVE	1	NBR		
4	0148010	15A PLUG SET	1			
5	0118450	32A PLUG SET	1			
6	0114992	FLANGE BRACKET	1	ADC		
7	0112528	VOLUTE CASING	1	ADC		
8	0114993	IMPELLER	1	ADC		
9	0140251	IMPELLER ADJUSTING WASHER	1	BS T=0.3		
10	0121628	IMPELLER ADJUSTING WASHER	1	BS T=0.6		
11	0116054	MECHANICAL SEAL	1	HG-12		
12	890255031	O-RING	1	1517-31 NBR		
13	889855042	O-RING	1	P42 NBR		
14	743119032	HEXAGON BOLT	3	M6X20 SWRM		
15	743119045	HEXAGON BOLT	2	M8X20 SWRM		
16	743119046	HEXAGON BOLT	2	M8X22 SWRM		
17	743119043	HEXAGON BOLT	2	M8X16 SWRM		
18	734532274	HEXAGON SOCKET BOLT	4	M5X40 CS		
19	854255005	SEAL WASHER	4	φ 5		
20	0348124	COUPLING SET	2	25MM		
21	0340781	COUPLING	2	ABS		
22	0340782	HOSE NIPPLE	2	ABS		
23	0340065	COUPLING PACKING	2	CR		
24	0118193	STRAINER SET	1			
25	940019032	HOSE BAND	3	φ 32		
26	0121765	NAME PLATE	1			
27	0118267	BASE SET	1			
28	0112576	PIPE RUBBER	4	NBR 70 °		
29	0121638	ENGINE	1	KOSHIN KC26-B0		
30	0114277	HANDLE	1			

◆ Bare engine can not be supplied

AT-25



DWG No.012911907 MODELE:SEV-25L FORM:SEV-25L-BAC-0

No.	PARTS CODE	PARTS NAME	QTY	MATERIAL/SIZE	LIST PRICE	REMARKS
	0121746	PACKING CASE	1			

◆ Bare engine can not be supplied