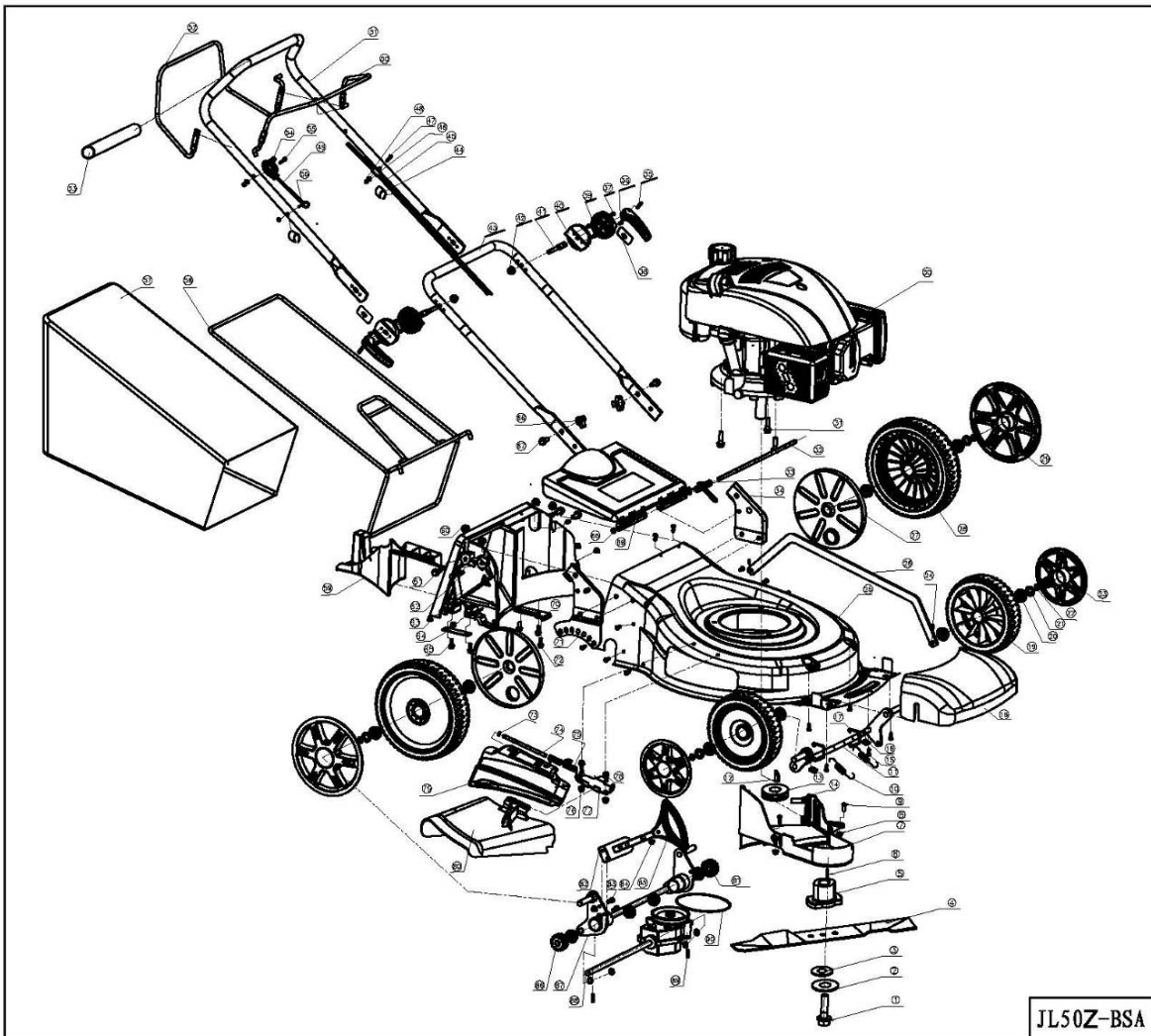


11-1 DESPIECE-PARA **PARA MODELO** JL50Z-BSA & JL50Z-A2



JL50Z-BSA

JL50Z-BSA & JL50Z-A2 DESPIECE

CODIGO	REFERENCIA	DESCRIPCION	CANTIDAD	
1	JL46Z04-04	Blade bolt	1	
2	JL40T03-01	Flat washer	1	
3	JL46Z04-07	Blade washer	1	
4	JL50Z04-01	Blade	1	
5	JL50Z04-04	Blade adapter	1	
6	GB5787-86	Key	1	
7	JL50Z04-05	Belt Cover	1	
8	GB6187-86	Nut M6	8	
9	GB818-86	Screw M6X16	2	
10	JL50Z03-04	Height adjuster spring	2	
11	JL50Z02-10	Front Axle	1	
12	GB1099-79	Key 4X16	1	
13	JL50Z02-06	Initiative pulley	1	
14	GB80-85	Fixed Screw	1	
15	GB845-85	Screw ST4. 8X16	15	
16	JL50Z02-14	Holdfast	2	
17	JL50Z02-13	Clip	2	
18	JL50Z02-16	Front Plastic Carter	1	
19	JL50Z02-05	Front wheel	2	
20	JL46Z02-15	Ball bearing	12	
21	JL50Z02-15	Axle washer	4	
22	GB894. 1	Circlip ϕ 10	6	
23	JL50Z02-04	Front wheel cover	2	
24	JL60. 07-30	Pin B	2	
25	JL50Z04-02	Deck	1	
26	JL50Z03-01	Cutting height rod	1	
27	JL50Z02-02	Inner wheel	2	
28	JL50Z02-01	Rear wheel	2	
29	JL50Z02-03	Rear wheel cover	2	
30		Engine	1	
31	GB5789-86	Bolt M8X30	3	
32	JL50Z05-01	Rear deflector pole	1	
33	JL50Z05-05	Rear deflector spring	1	
34	JL50Z01-05	Left handle support	1	
35	GB/T879. 2	Pcn 5X18	2	
36	JL50Z01-01	Fast adjuster handle	2	
37	GB845-85	Screw ST4. 2X12	9	
38	JL50Z01-17	Square washer	2	
39	JL50Z01-03	Upper adjuster cover	2	
40	JL50Z01-02	Lower adjuster cover	2	

41	JL50Z01-16	Fast screw	2	
42	GB6187-86	Nut M8	2	
43	JL50Z01-09	Inferior Handle	1	
44	JL46Z01-09	Clip	2	
45	JL50Z01-13	Brake cable	1	
46	GB/T923-88	Nut M6	4	
47	GB5789-86	Bolt M6X35	1	
48	GB97. 2-2002	Washer 6. 4X12X1. 4	3	
49	JL50Z01-15	Throttle control cable	1	
50	JL50Z01-11	Brake lever	1	
51	JL50Z01-08	Upper handle	1	
52	JL50Z01-10	Coupling lever	1	
53	JL50Z01-04	Handle Tube	1	
54	JL46Z01-11. 1	Throttle control	1	
55	GB5789-86	Screw Guide M6X45	1	
56	JL50Z01-07	Rope Guide Support	1	
57	JL50Z05-03	Grass bag	1	
58	JL50Z05-04	Frame	1	
59	JL50Z05-11	Mulching plug	1	
60	GB6187-86	Nut M8	4	
61	GB5787-2000	Screw M8X20	4	
62	JL50Z05-13	Handle seperate	4	
63	JL50Z05-12	Plastic air path	1	
64	JL50Z02-08	Rear Axle right press plank	1	
65	GB5789-86	Screw M6X18	4	
66	JL40T01-01	NUT	2	
67	JL50Z01-14	Screw M8X22	2	
68	GB896-86	Circlip $\phi 6$	2	
69	JL50Z05-02	Rear deflector	1	
70	JL50Z02-07	Left press plank	1	
71	JL50Z01-06	Right handle support	1	
72	GB5787-86	Screw M6X30	1	
73	GB896-86	Circlip $\phi 5$	1	
74	JL50Z05-10	Side deflector pole	1	
75	JL50Z05-09	Side deflector spring	1	
76	GB6187-86	Nut M6	2	
77	JL50Z05-08	Side discharge spport	1	
78	GB5789-86	Screw M6X16	2	
79	JL50Z05-07	Side deflector	1	
80	JL50Z05-06	Side air path	1	
81	JL46Z02-06	Left Gear Assy	1	
82	JL50Z03-02	Height adjuster	1	

83	GB5789-86	Screw M6X16	2	
84	GB818-86	Screw M6X16	1	
85	JL50Z03-03	Cutting height lever	1	
86	JL46Z02-07	Right Gear Assy	1	
87	JL50Z02-12	Rear Axle	1	
88	JL50Z02-11	Gear box	1	
89	GB119-86	Pin	2	
90	GB11544-94	Belt V	1	

