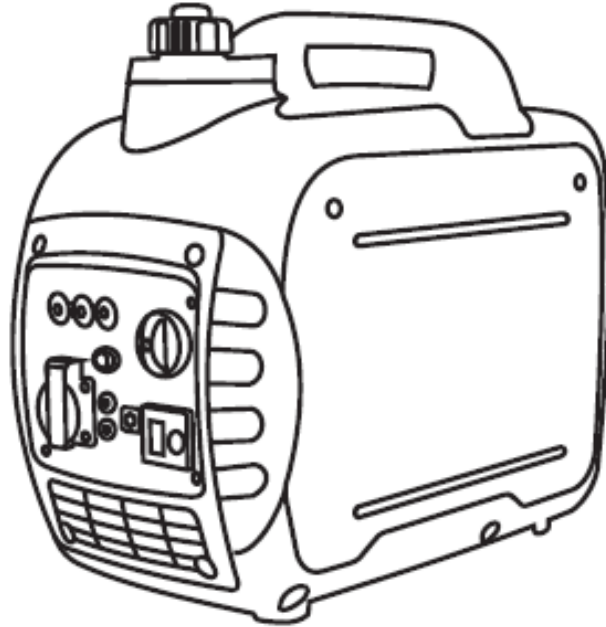


# DESPIECE GENERADOR

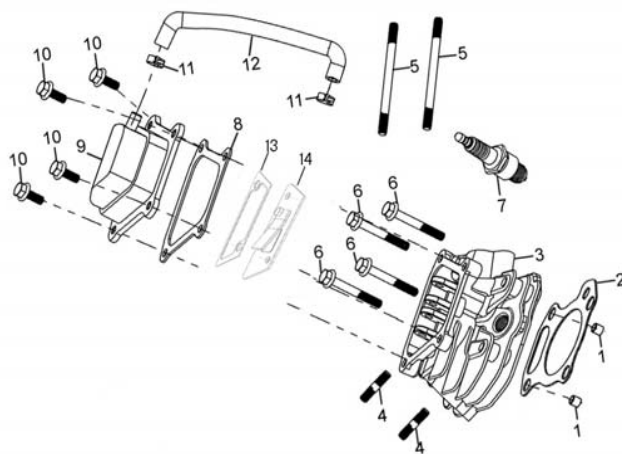


**INVERTER**

**LC2000i**

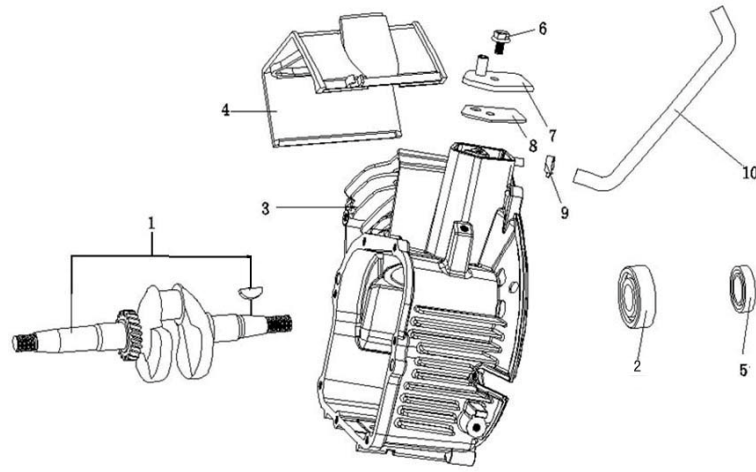






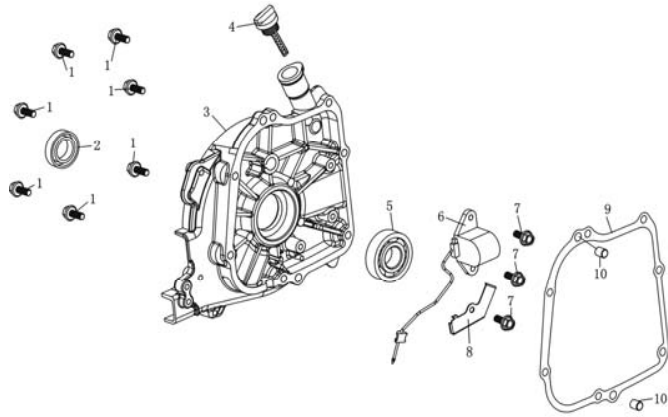
(CYLINDER HEAD ASSY)

| No. | Part No.       | Description                    |           |                  |
|-----|----------------|--------------------------------|-----------|------------------|
|     |                |                                | Reqd. QTY | CONSUMABLE GRADE |
| 1   | 380600121-0001 | ocation pin                    | 2         | C                |
| 2   | 120150167-0001 | Gasket for cylinder head       | 1         | A                |
| 3   | 120080477-0001 | Cylinder head                  | 1         | B                |
| 4   | 380180143-0001 | Stud                           | 2         | C                |
| 5   | 380180090-0001 | Stud                           | 2         | C                |
| 6   | 380140515-0001 | Hexagon bolt with flange       | 4         | C                |
| 7   | 270960054-0001 | Spark plug                     | 1         | A                |
| 8   | 120250053-0001 | Gasket for cylinder head cover | 1         | A                |
| 9   | 120230140-0001 | Cylinder head cover            | 1         | C                |
| 10  | 380140441-0001 | Hexagon bolt with flange       | 4         | C                |
| 11  | 380960155-0002 | Clip combination               | 2         | B                |
| 12  | 380740905-0001 | Breather tube                  | 1         | B                |
| 13  | 140290010-0001 | Leaf valve gasket              | 1         | A                |
| 14  | 140250013-0001 | Leaf valve                     | 1         | C                |
|     |                |                                |           |                  |



(Crank case)

| No. | Part No.       | Description               | Reqd. QTY | CONSUMABLE GRADE |
|-----|----------------|---------------------------|-----------|------------------|
| 1   | 130290374-0001 | crankshaft                | 1         | B                |
| 2   | 380630005-0002 | Bearing                   | 1         | B                |
| 3   | 110810158-0001 | Crankcase body            | 1         | B                |
| 4   | 160190057-0001 | air deflector             | 1         | B                |
| 5   | 380650551-0001 | Oil seal                  | 1         | A                |
| 6   | 380140077-0005 | Hexagon bolt with flange  | 1         | C                |
| 7   | 110840018-0001 | CAP, BREATHER CHAMBER     | 1         | C                |
| 8   | 110850016-0001 | PACKING, BREATHER CHAMBER | 1         | A                |
| 9   | 380960155-0002 | Clip combination          | 2         | B                |
| 10  | 380740906-0001 | Breather tube             | 1         | B                |
|     |                |                           |           |                  |
|     |                |                           |           |                  |
|     |                |                           |           |                  |
|     |                |                           |           |                  |

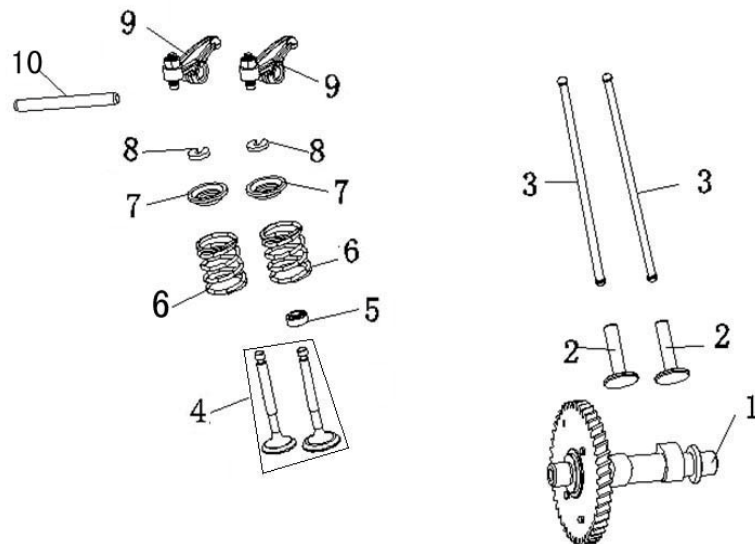


(CRANKCASE COVER)

| No. | Part No.       | Description              | Reqd. QTY | CONSUMABLE GRADE |
|-----|----------------|--------------------------|-----------|------------------|
| 1   | 380140086-0002 | Hexagon bolt with flange | 7         | C                |
| 2   | 380650551-0001 | Oil seal                 | 1         | A                |
| 3   | 110820082-0001 | Crankcase cover          | 1         | C                |
| 4   | 110690068-0001 | Oil rule combination     | 1         | B                |
| 5   | 380630005-0002 | Bearing                  | 1         | B                |
| 6   | 281850341-0001 | Oil level sensor         | 1         | B                |
| 7   | 380140209-0001 | Hexagon bolt with flange | 3         | C                |
| 8   | 110480027-0001 | Pressing plate           | 1         | C                |
| 9   | 110830046-0001 | Crankcase cover gasket   | 1         | A                |
| 10  | 380600120-0001 | ocation pin              | 2         | C                |
|     |                |                          |           |                  |
|     |                |                          |           |                  |
|     |                |                          |           |                  |
|     |                |                          |           |                  |







(GAS DISTRIBUTION ADJUSTMENT)

| No. | Part No.       | Description              | Reqd. QTY | CONSUMABLE GRADE |
|-----|----------------|--------------------------|-----------|------------------|
| 1   | 140020091-0001 | Camshaft                 | 1         | B                |
| 2   | 140690021-0001 | Lifter, Valve            | 2         | B                |
| 3   | 140670029-0001 | Tappet combination       | 2         | B                |
| 4   | 500550042-0001 | Valve Kit                | 1         | B                |
| 5   | 140400024-0001 | Valve oil seal           | 1         | B                |
| 6   | 140340038-0001 | Inner spring of valve    | 2         | B                |
| 7   | 140380038-0001 | Retainer, valve spring   | 2         | B                |
| 8   | 140390028-0001 | Valve locker             | 2         | B                |
| 9   | 140450048-0001 | Valve rocker combination | 2         | B                |
| 10  | 140510046-0001 | Valve rocker shaft       | 1         | B                |
|     |                |                          |           |                  |
|     |                |                          |           |                  |
|     |                |                          |           |                  |
|     |                |                          |           |                  |
|     |                |                          |           |                  |



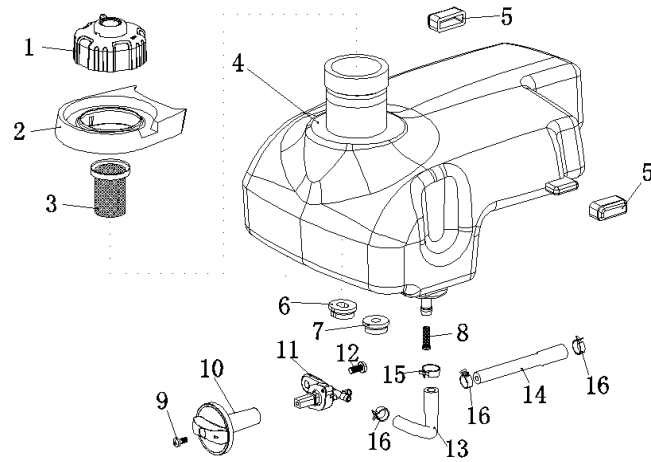






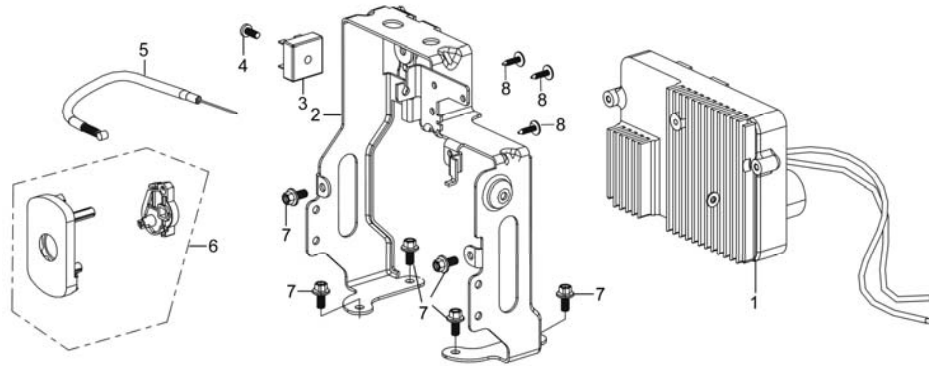






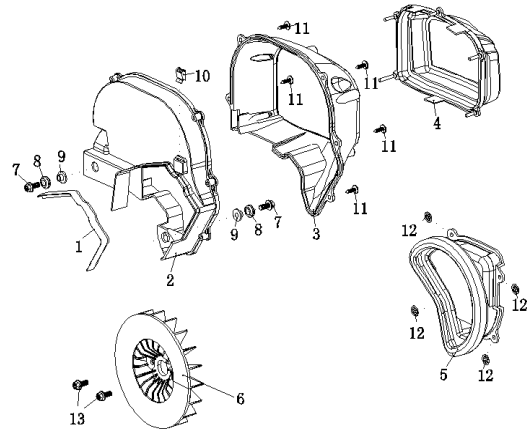
| No. | Part No.       | Description                            | Reqd. QTY | CONSUMABLE GRADE |
|-----|----------------|--|-----------|------------------|
|     |                |  |           |                  |
| 1   | 170870103-0001 | Tank cover                             | 1         | B                |
| 2   | 170620015-0001 | Rubber lagging for pouring orifice     | 1         | A                |
| 3   | 170720012-0001 | filter screen combination              | 1         | A                |
| 4   | 170500907-0001 | Tank                                   | 1         | B                |
| 5   | 170700133-0001 | Tank damping cushion                   | 2         | A                |
| 6   | 170700131-0001 | Tank damping cushion                   | 1         | A                |
| 7   | 170700132-0001 | Tank damping cushion                   | 1         | A                |
| 8   | 170010033-0001 | Fuel filter                            | 1         | A                |
| 9   | 381210006-0001 | Cross recessed small pan head screw    | 1         | C                |
| 10  | 173260004-0001 | Oil switch knob                        | 1         | B                |
| 11  | 170980104-0001 | Components of oil switch               | 1         | B                |
| 12  | 380690017-0001 | Cross small pan head screws / pad COMP | 1         | C                |
| 13  | 380750557-0001 | Oil tube                               | 1         | A                |
| 14  | 380750556-0001 | Oil tube                               | 1         | A                |
| 15  | 380960120-0004 | Clip combination                       | 1         | A                |
| 16  | 380960136-0003 | Clip combination                       | 2         | A                |



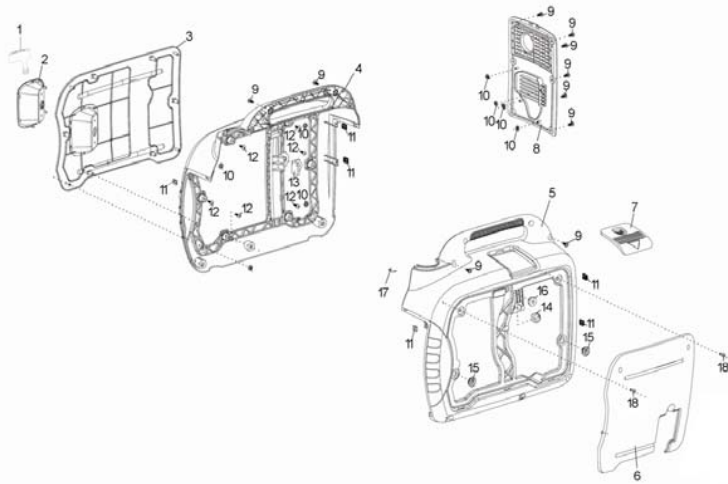


| No. | Part No.       | Description                           | Reqd. QTY | CONSUMABLE GRADE |
|-----|----------------|---------------------------------------|-----------|------------------|
|     |                |                                       |           |                  |
| 2   | 661930001-0001 | Inverter mounting bracket             | 1         | C                |
| 3   | 271920005-0001 | Rectification bridge                  | 2         | A                |
| 4   | 380140053-0002 | Hexagon bolt with flange              | 1         | C                |
| 5   | 320320224-0001 | Choke cable                           | 1         | B                |
| 6   | 661920001-0001 | Combination Switch                    | 1         | B                |
| 7   | 380140001-0006 | Hexagon bolt with flange              | 2         | C                |
| 8   | 380310135-0001 | Cross recessed pan head tapping screw | 3         | C                |
|     |                |                                       |           |                  |
|     |                |                                       |           |                  |
|     |                |                                       |           |                  |
|     |                |                                       |           |                  |
|     |                |                                       |           |                  |

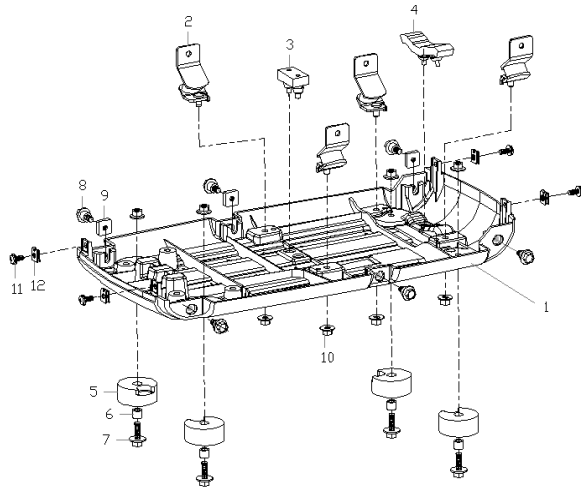




| No. | Part No.       | Description                           | Reqd. QTY | CONSUMABLE GRADE |
|-----|----------------|---------------------------------------|-----------|------------------|
|     |                |                                       |           |                  |
| 1   | 180980002-0001 | Rubber strip for muffler guard shield | 1         | A                |
| 2   | 180960089-0001 | Muffler guard shield                  | 1         | B                |
| 3   | 180960090-0001 | Muffler guard shield                  | 1         | B                |
| 4   | 661880001-0001 | wind scooper                          | 1         | B                |
| 5   | 661880002-0001 | wind scooper                          | 1         | B                |
| 6   | 660130006-0001 | Motor fan                             | 1         | B                |
| 7   | 380140013-0005 | Hexagon bolt with flange              | 2         | C                |
| 8   | 380890287-0001 | L-shaped Rubber ring                  | 2         | A                |
| 9   | 380822534-0001 | Bushing                               | 2         | C                |
| 10  | 341530014-0001 | fairing Clips                         | 1         | B                |
| 11  | 380310135-0001 | Cross recessed pan head tapping screw | 5         | C                |
| 12  | 380490019-0001 | Lock washer                           | 4         | C                |
| 13  | 380140001-0006 | Hexagon bolt with flange              | 2         | C                |
|     |                |                                       |           |                  |



| No. | Part No.       | Description                                  | Reqd. QTY | CONSUMABLE GRADE |
|-----|----------------|--|-----------|------------------|
|     |                |  |           |                  |
| 1   | 193560019-0001 | Pull rope handle                             | 1         | B                |
| 2   | 661940001-0001 | recoil hand shank cover                      | 1         | B                |
| 3   | 661860001-0002 | Exterior Cover(left)                         | 1         | B                |
| 4   | 661840009-0001 | Generator Shell(left)                        | 1         | B                |
| 5   | 661850008-0001 | Generator Shell(right)                       | 1         | B                |
| 6   | 661870001-0002 | Exterior Cover(right)                        | 1         | B                |
| 7   | 661910001-0001 | sparking plug<br>maintainance cover          | 1         | B                |
| 8   | 661900001-0001 | Shutter                                      | 1         | B                |
| 9   | 380690017-0001 | Cross small pan head<br>screws / pad COMP    | 10        | C                |
| 11  | 380420041-0001 | Clip nut                                     | 6         | C                |
| 10  | 380490019-0001 | Lock washer                                  | 9         | C                |
| 12  | 380310135-0001 | Cross recessed pan head<br>tapping screw     | 6         | C                |
| 13  | 290340030-0001 | Cushioning rubber                            | 1         | A                |
| 14  | 290340029-0001 | Cushioning rubber                            | 1         | A                |
| 16  | 170700132-0001 | Tank damping cushion                         | 1         | A                |
| 15  | 170700131-0001 | Tank damping cushion                         | 2         | A                |
| 17  | 350440003-0001 | Clips  | 1         | B                |
| 18  | 381810002-0001 | Slotted pan head screw<br>with waisted shank | 2         | C                |



| No. | Part No.       | Description                            | Reqd. QTY | CONSUMABLE GRADE |
|-----|----------------|--|-----------|------------------|
|     |                |  |           |                  |
| 1   | 303240003-0001 | FRAME COMP Backplane                   | 1         | B                |
| 2   | 300780038-0001 | Machine buffering seat                 | 4         | B                |
| 3   | 290340027-0001 | Cushioning rubber                      | 1         | B                |
| 4   | 290340028-0001 | Cushioning rubber                      | 1         | B                |
| 5   | 300770022-0001 | Frame shock absorbing seat             | 4         | B                |
| 6   | 380822533-0001 | Bushing                                | 4         | C                |
| 7   | 380710024-0001 | Bolt or screw and washer COMP          | 4         | C                |
| 8   | 380100038-0001 | Hex head flange bolt axial             | 6         | C                |
| 9   | 380430031-0001 | Square nuts                            | 6         | C                |
| 10  | 380370048-0001 | Hexagon nut with flange                | 8         | C                |
| 11  | 380690017-0001 | Cross small pan head screws / pad COMP | 4         | C                |
| 12  | 380420041-0001 | Clip nut                               | 4         | C                |
|     |                |  |           |                  |
|     |                |  |           |                  |