

MINI TRANSPORTER

PARTS CATALOG

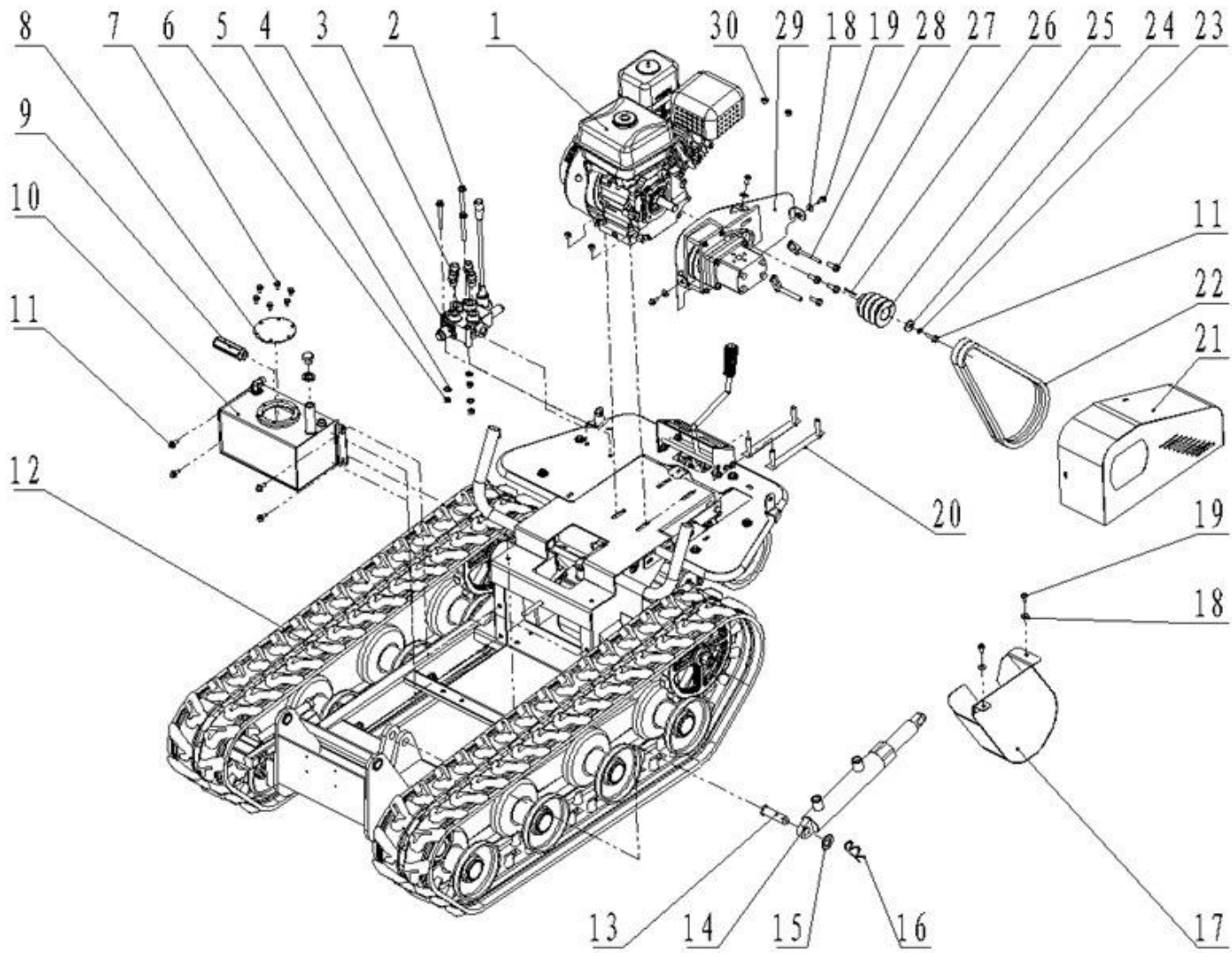
Model: MD500H



CONTENTS

	page
1. Machine assy - 1.....	3~5
2. Machine assy - 2.....	6~7
3. Machine assy - 3.....	8~9
4. Chassis assy - 1.....	10~11
5. Chassis assy - 2.....	12~14
6. Handrail assy.....	15~16
7. Hydraulic pump assy.....	17~18
8. Gearbox assy - 1.....	19~24
9. Gearbox assy - 2	25~27
10. Cargo box assy.....	28~29

Machine Assy – 1



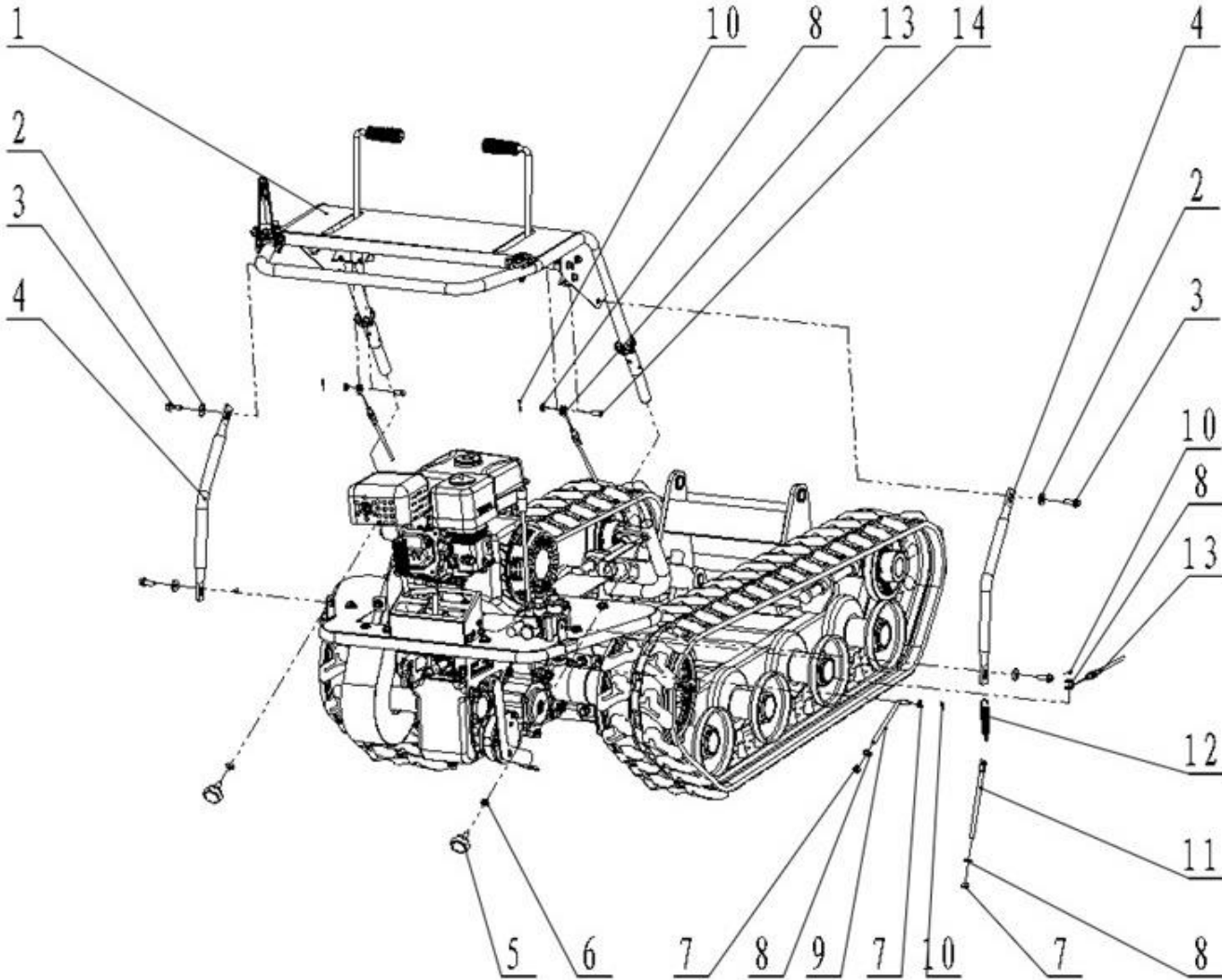
Machine Assy – 1

Ref. No	Parts Code	Parts Name	Q'ty	Remarks
1	T010270102	WM170F/P Gasoline engine	1	
2	360220121	Hex flange bolt M8x70	3	
3	2210300001-0001	Edge Joint	4	
4	1502900001-0001	Reversing valve	1	
5	360660021	Flat washer 8	3	
6	360120012	1-type non-metallic insert locked nut M8	3	
7	360300151	Big series hex flange bolt M6x12	6	
8	2607500007-0002	Hydraulic fuel tank cover plate	1	
9	1504000004-0001	Oil suction filter	1	
10	1503300002-0001	Hydraulic fuel tank	1	
11	360220115	Small series hex flange bolt M8x20	6	
12	2414300001-0001	Chassis assy	1	
13	361020049	Pin 20x70	1	
14	2419300001-0001	Hydraulic cylinder	1	
15	360660030	Flat washer 20	1	

Machine Assy – 1

Ref. No	Parts Code	Parts Name	Q'ty	Remarks
16	3402200006-0001	Circlip C	1	
17	2601500038-0002	Bottom belt cover	1	
18	360640009	Big washer 6	2	
19	360300041	Big series hex flange bolt M6x16	2	
20	2419200001-0001	Engine fixed bracket	2	
21	2601500061-0001	Upper belt cover	1	
22	2123600006-0001	Belt 17x990Li-02	2	
23	360620011	STD spring washer 8	2	
24	360590003	Big washer 8	2	
25	2106600057-0001	Driving pulley	1	
26	360980015	STD flat key 5x5x35	1	
27	360220095	Small series hex flange bolt M8x25	2	
28	2113000001-0002	Belt press rod	2	
29	1504400001-0001	Hydraulic pump assy	1	
30	360040010	2-type hex flange nut M8	4	

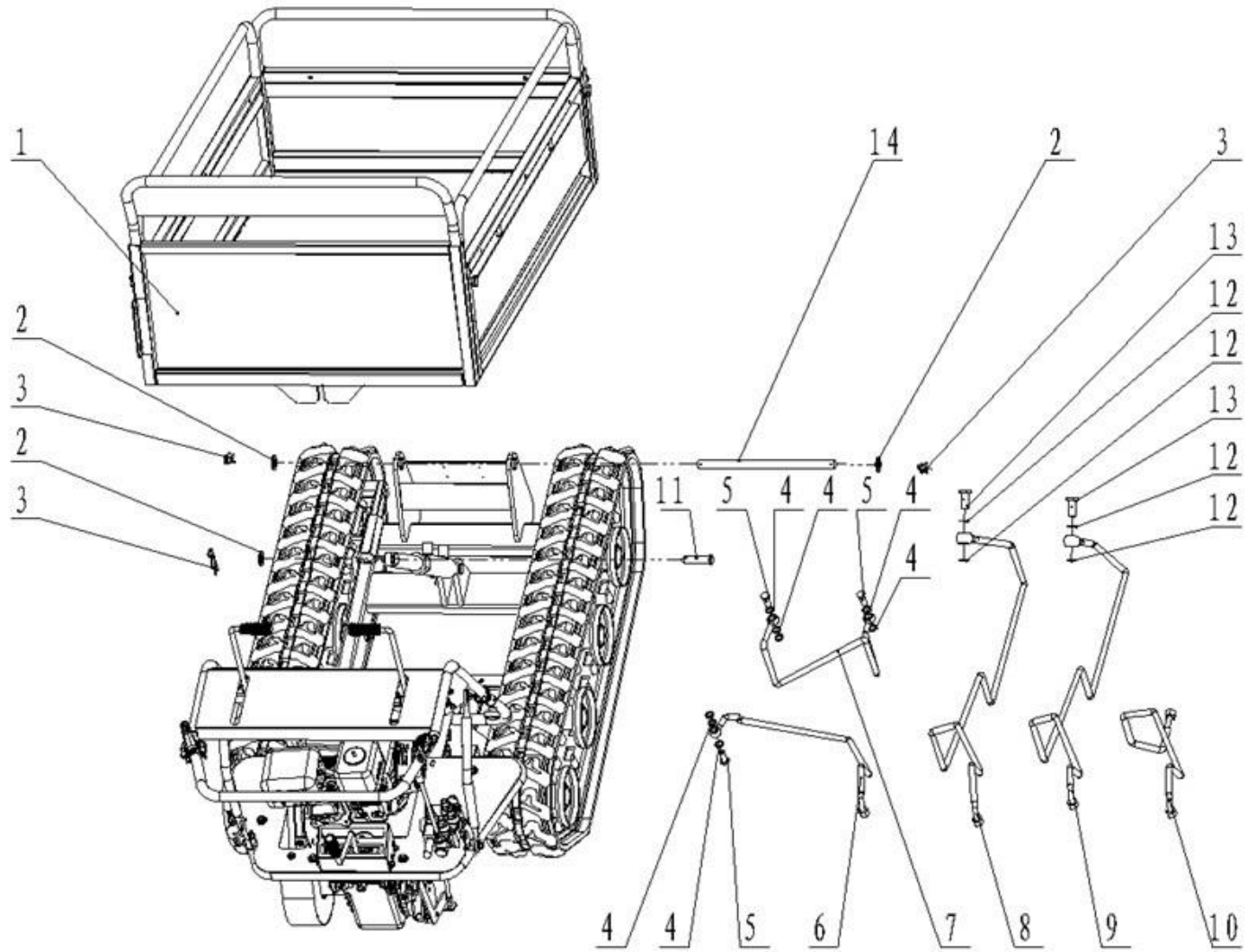
Machine Assy – 2



Machine Assy - 2

Ref. No	Parts Code	Parts Name	Q'ty	Remarks
1	3008100282-0005	Handrail assy	1	
2	360640006	Big washer 8	4	
3	360220115	Small series hex flange bolt M8x20	4	
4	3013800003-0006	Handrail support rod	2	
5	3015000003-0001	Star grip knob M10x20	2	
6	360030004	Hex flange thin nut M10	2	
7	360120012	1-type non-metallic insert locked nut M8	2	
8	360660021	Flat washer 8	6	
9	2806100001-0001	Brake adjustment lever	1	
10	360560004	Cotter pin 1.6x20	5	
11	2421600002-0001	Adjustable pulling rod	1	
12	3406800001-0001	Returning spring for reverse gear	1	
13	3009100005-0001	Steering cable	2	
14	361020022	Pin 8x16	2	

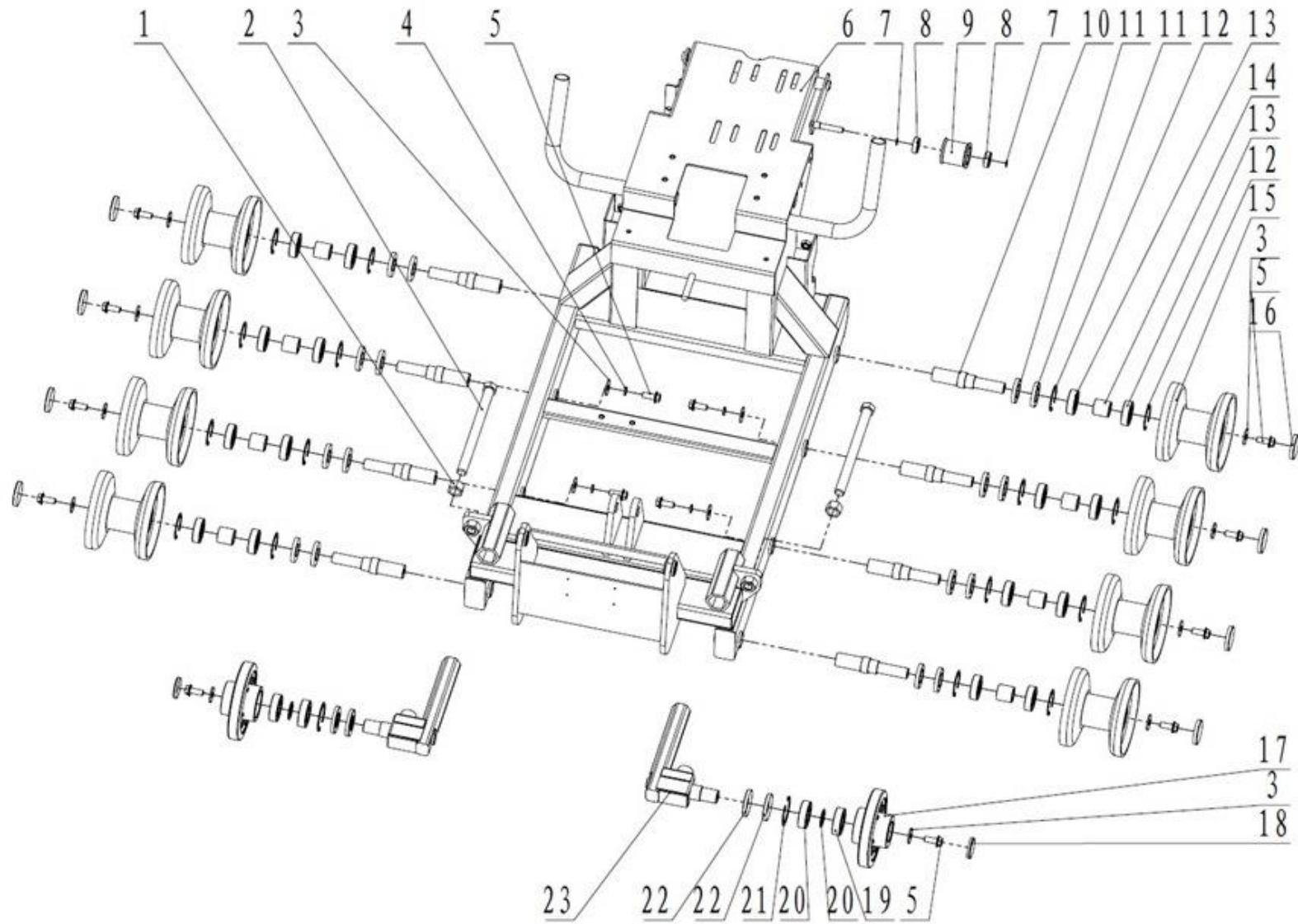
Machine Assy – 3



Machine Assy - 3

Ref. No	Parts Code	Parts Name	Q'ty	Remarks
1	2501700012-0002	Cargo box assy	1	
2	360660030	Flat washer 20	3	
3	3402200006-0001	Circlip C	3	
4	3407900005-0001	Combination gasket 14	8	
5	3419900005-0001	Banjo bolt M14	3	
6	2413000002-0001	Outlet oil pipe	1	
7	1503900004-0001	Inlet oil pipe	1	
8	1503500001-0001	Hydraulic long oil tube	1	
9	1503400001-0001	Hydraulic short oil tube	1	
10	1503000002-0001	Oil return pipe	1	
11	361020049	Pin 20 x70	1	
12	3407900004-0001	Combination gasket 18	4	
13	3419900004-0001	Banjo bolt M18	2	
14	2452800004-0001	Cargo box fixed pin	1	

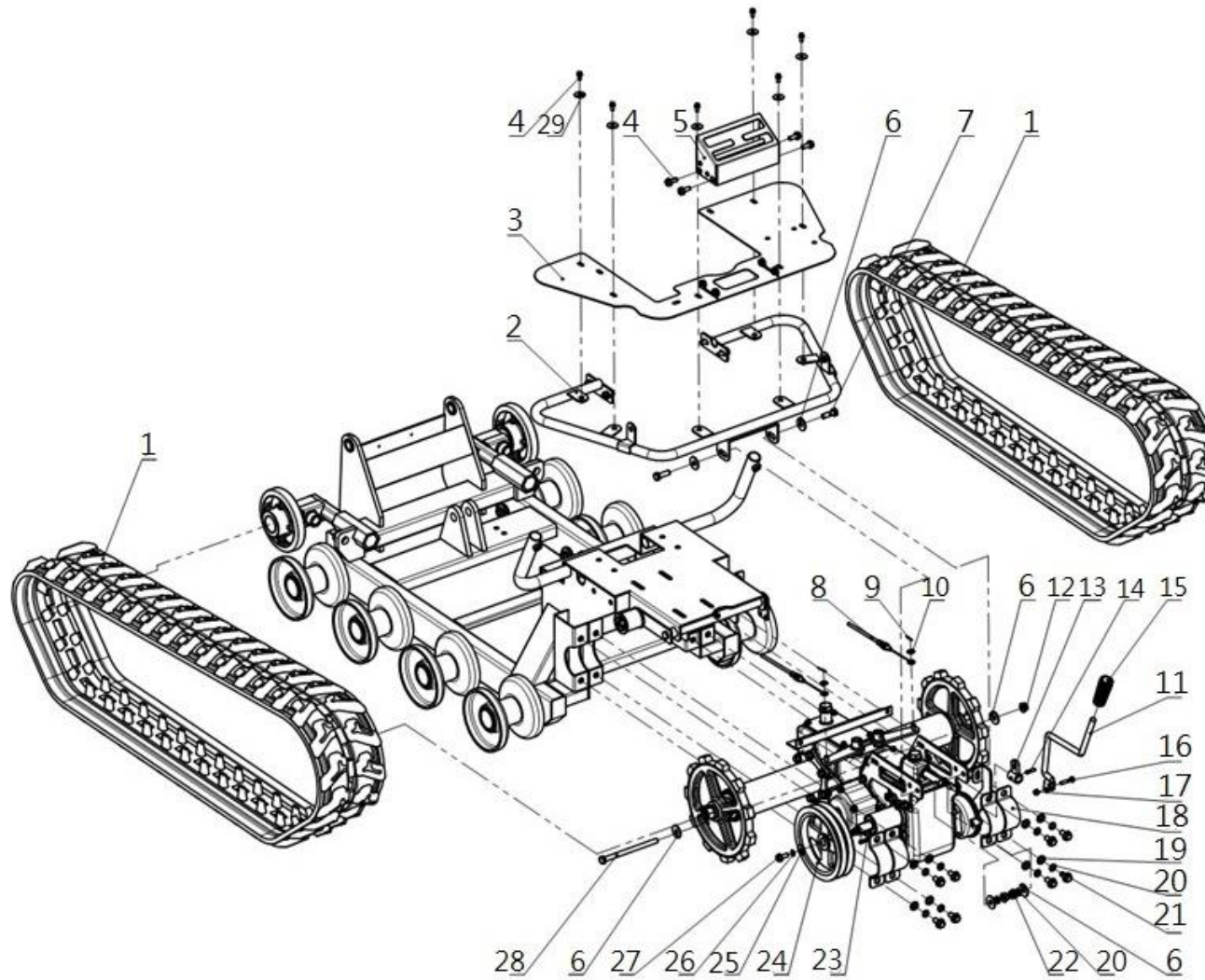
Chassis Assy - 1



Chassis Assy - 1

Ref. No	Parts Code	Parts Name	Q'ty	Remarks
1	360010019	1-type hex nut M18	2	
2	360250083	Fully threaded hex bolt M18x220	2	
3	360640003	Big washer 10	18	
4	360620013	STD spring washer 10	8	
5	360220062	Small series hex flange bolt M10x20	18	
6	2414200006-0001	Chassis assy	1	
7	360920009	External circlip 10	2	
8	360720016	Deep groove ball bearing 6200-2Z	2	
9	2139700003-0001	Tensioner	1	
10	2806900001-0001	Support wheel shaft	8	
11	360800033	Oil seal 25x47x7	16	
12	360910006	Internal circlip 47	16	
13	360720032	Deep groove ball bearing 6204	16	
14	3410800107-0001	Bushing 20.5x30x30	8	
15	2806300002-0001	Support wheel	8	
16	2807000001-0001	Support wheel oil plug 47x6.5	8	
17	2807100001-0001	Caterpillar band tensioner	2	
18	3409000007-0001	Oil pug 40x6	2	
19	360720036	Deep groove ball bearing 6205	4	
20	3412100047-0001	Nonstandard flat washer 25x38x2	2	
21	360910011	Internal circlip 52	2	
22	360800042	Oil seal 28x52x7	4	
23	2134700001-0001	Support bracket for caterpillar band tensioner	2	

Chassis Assy - 2



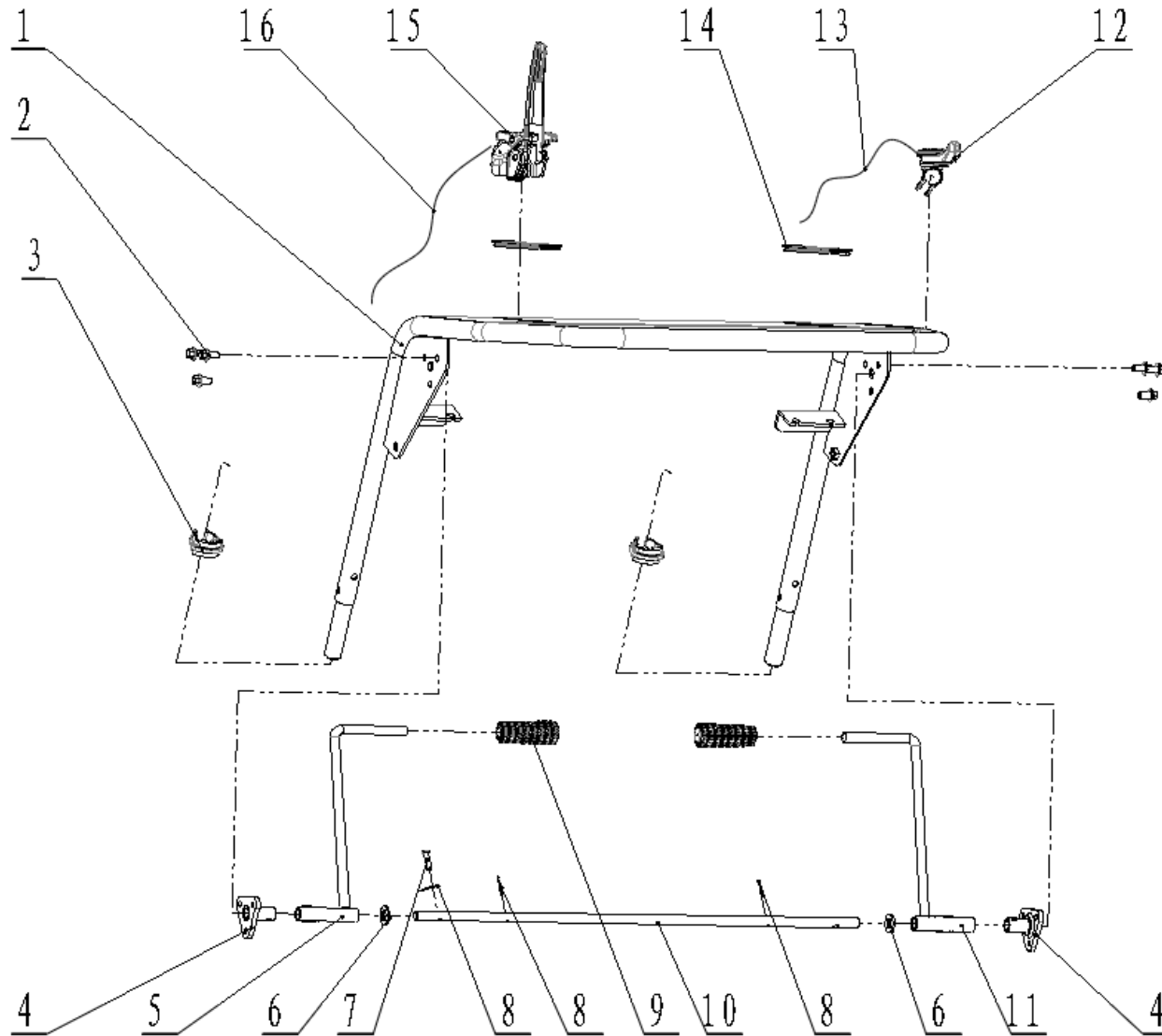
Chassis Assy - 2

Ref. No	Parts Code	Parts Name	Q'ty	Remarks
1	2806200003-0001	Caterpillar band 180x72x38	2	
2	2602900044-0005	Bumper	1	
3	2607400005-0001	Cover plate	1	
4	360220094	Small series hex flange bolt M8x16	10	
5	2407900010-0002	Gear indicator	1	
6	360640003	Big washer 10	6	
7	360220055	Small hex flange bolt M10X25	2	
8	3009100005-0001	Steering cable	2	
9	360560004	Cotter pin 1.6x16	2	
10	360660021	Flat washer 8	2	
11	3014100004-0001	Shift lever	1	
12	360120007	1-type non-metallic insert locked nut M10	1	
13	3016800002-0001	Shift rod sleeve	1	
14	360870004	Elastic cylindrical pin 6x24	1	
15	3000500002-0001	Shock-absorbing grip Ø12	1	

Chassis Assy - 2

f. No	Parts Code	Parts Name	Q'ty	Remarks
16	360300056	Small series hex flange bolt M6x35	1	
17	360120011	1-type non-metallic insert locked nut M6	1	
18	2134400002-0001	Output shaft plate	4	
19	360660024	Flat washer 10	8	
20	360620013	STD spring washer 10	8	
21	360220062	Small series hex flange bolt M10x20	8	
22	360120007	1-type hex nut M10	2	
23	360980001	STD flat key 5x5x25	1	
24	2109200008-0001	Driven pulley	1	
25	360590003	Big washer 8	1	
26	360620011	STD spring washer 8	1	
27	360220115	Small series hex flange bolt M8x20	1	
28	360220113	Small series hex flange bolt M10x160	1	
29	360640006	Big washer 8	6	

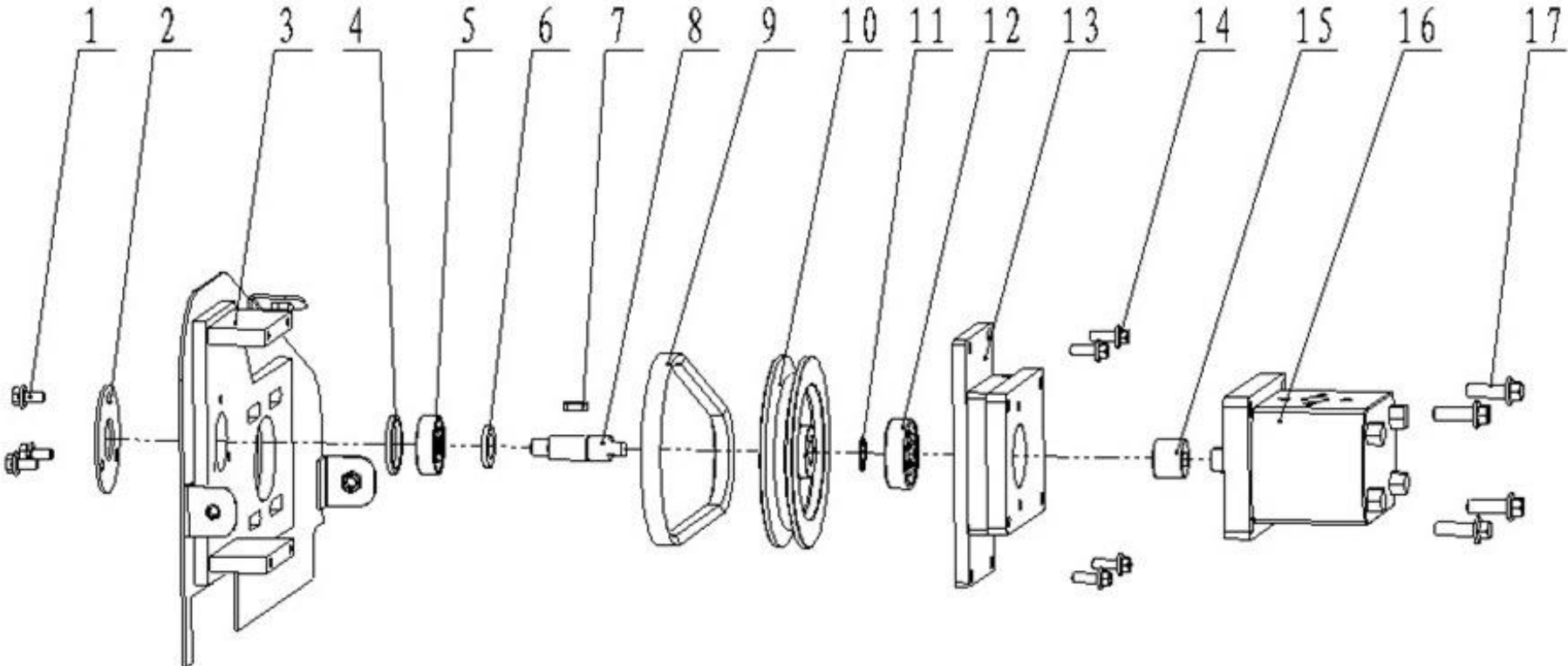
Handrail Assy



Handrail Assy

Ref. No	Parts Code	Parts Name	Q'ty	Remarks
1	2402300122-0006	Handrail	1	
2	360220094	Small series hex flange bolt M8x16	6	
3	2400600001-0001	Self-locking hook Ø25	2	
4	3016000001-0002	Support seat of steering lever	2	
5	3016100001-0001	Steering lever, Left	1	
6	360660008	Flat washer 12	2	
7	361020009	Pin B type 6x25	1	
8	360560004	Cotter pin 1.6x16	3	
9	3000500002-0001	Shock-absorbing grip Ø12	1	
10	2135600002-0001	Steering lever mandrel	2	
11	3016200001-0001	Steering lever, Right	1	
12	1815700001-0001	Throttle switch Ø25	1	
13	3000200020-0001	Throttle cable	1	
14	3018200004-0001	Rubber clip	1	
15	3000900013-0002	Clutch lever MFT55	1	
16	3009200031-0001	Clutch cable	1	

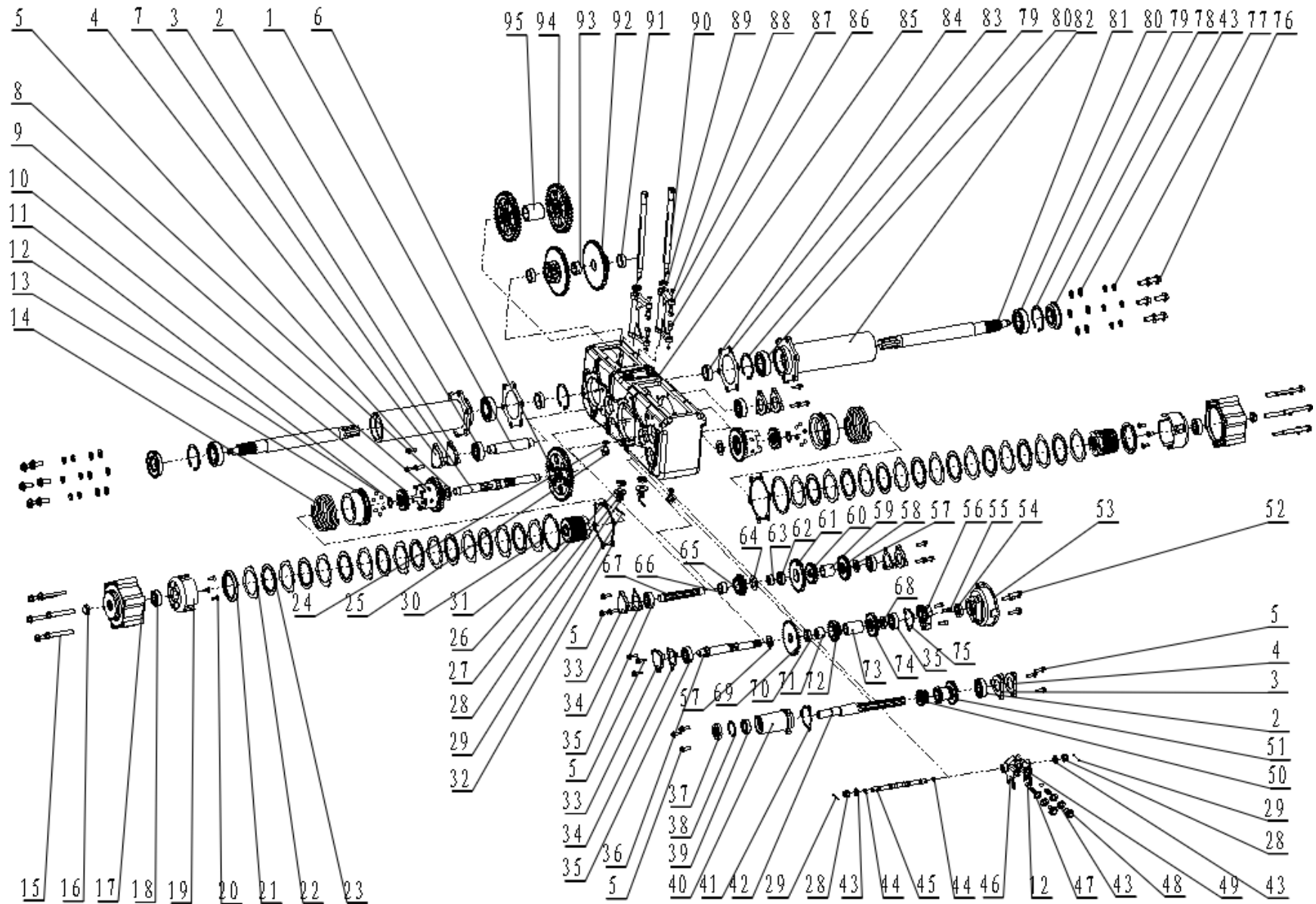
Hydraulic Pump Assy



Hydraulic Pump Assy

Ref. No	Parts Code	Parts Name	Q'ty	Remarks
1	360300151	Big series hex flange bolt M6x20	3	
2	2140900002-0002	Bearing cover	1	
3	2403900007-0001	Pulley bottom plate	1	
4	3411100017-0001	Gasket 35x29x3	1	
5	360720082	Deep groove ball bearing 6300-2RS	1	
6	3400100021-0001	Nonstandard gasket 15.5x25x3	1	
7	360980012	STD flat key 5x5x14	1	
8	2137500002-0001	Hydraulic pump shaft	1	
9	2123600034-0001	Belt 13x500Li	1	
10	2137400002-0001	Hydraulic pump pulley	1	
11	360920017	External circlip A type 15	1	
12	360720081	Deep groove ball bearing 6302-2RS	1	
13	1503100002-0002	Hydraulic pump assembled support bracket	1	
14	360300041	Big series B grade hex flange bolt M6x16	4	
15	2405400002-0002	Connecting sleeve	1	
16	2135900002-0001	Gear pump	1	
17	360220095	Small series hex flange bolt M8x25	4	

Gearbox Assy - 1



Gearbox Assy – 1

Ref. No	Parts Code	Parts Name	Q'ty	Remarks
1	2140100002-0001	Transmission shaft II	1	
2	360720032	Deep groove ball bearing 6204	3	
3	3400900007-0001	Bearing 6204 end cover gasket	3	
4	2135500001-0001	Bearing 6204 end cover	3	
5	360300041	Small series hex flange bolt M6x16	18	
6	2106800001-0001	Four shafts input gear	1	
7	2106700001-0001	Steering shaft	1	
8	3400100018-0001	Gasket 22.5x38x1	2	
9	2106900001-0001	Steering separation gear	2	
10	2108700001-0001	Driving sleeve	2	
11	360920013	External circlip 22	2	
12	360970004	Steel ball Ø8	14	
13	2111500001-0001	Steering drive plate	2	
14	3405100002-0001	Steering gear return spring	2	
15	360220121	Small series hex flange bolt M8x70	12	
16	3408900001-0001	Oil mirror	2	
17	2104500002-0001	Steering stop seat	2	
18	360740002	Angular contact bearing 7203AC	2	
19	2101600001-0001	Steering clutch cover	2	

Gearbox Assy – 1

Ref. No	Parts Code	Parts Name	Q'ty	Remarks
20	360460001	Hex socket countersunk head screws M6x16	6	
21	3411100012-0001	Washer	2	
22	2140800001-0001	Steel disc	18	
23	2141100001-0001	Friction disc	16	
24	3400100006-0001	Nonstandard gasket 15*10*2	2	
25	360290005	Small series hex flange bolt M10x1.25x12	2	
26	3408800015-0001	Oil seal 12x22x6	2	
27	360590004	Big washer 10	2	
28	360070001	1-type hex slotted thin nut M10	4	
29	360560007	Cotter pin 2x25	4	
30	2418400002-0001	Flat circlip 92	2	
31	2101500001-0001	Clutch core	2	
32	3408200001-0001	Steering stop seat gasket	2	
33	2135500002-0001	Bearing 6203 end cover	3	
34	3400900008-0001	Bearing 6203 end cover gasket	3	
35	360720025	Deep groove ball bearings 6203	4	
36	2116100005-0001	Reverse shaft	1	
37	3408800012-0001	Nonstandard oil seal 17x33x7	1	
38	360910003	Internal circlip 37	1	

Gearbox Assy – 1

Ref. No	Parts Code	Parts Name	Q'ty	Remarks
39	360720063	Deep groove ball bearing 61904	1	
40	2134200001-0001	Input shaft sleeve	1	
41	2138100001-0001	Input shaft sleeve gasket	1	
42	2134300001-0001	Gearbox input shaft	1	
43	360660024	Flat washer 10	18	
44	3416100006-0001	O-ring 8x1.8	2	
45	2103500008-0001	Fork shaft	1	
46	2102900004-0001	Fork	1	
47	3404800012-0001	Gear press spring	2	
48	360220024	Small series hex flange bolt M10x16	2	
49	2102700003-0001	Second and third gear shift fork	1	
50	2107700002-0001	1R shifting sliding gear	1	
51	2119400008-0001	Double gear	1	
52	360220115	Small series hex flange bolt M8x20	3	
53	2803400001-0002	Brake box	1	
54	3408800012-0001	Nonstandard oil seal 17x33x7	1	
55	360380009	Hex socket head screw M6x16	3	
56	2806700001-0001	Brake flange	1	
57	3400100015-0001	Gasket 17.5x25x3	3	

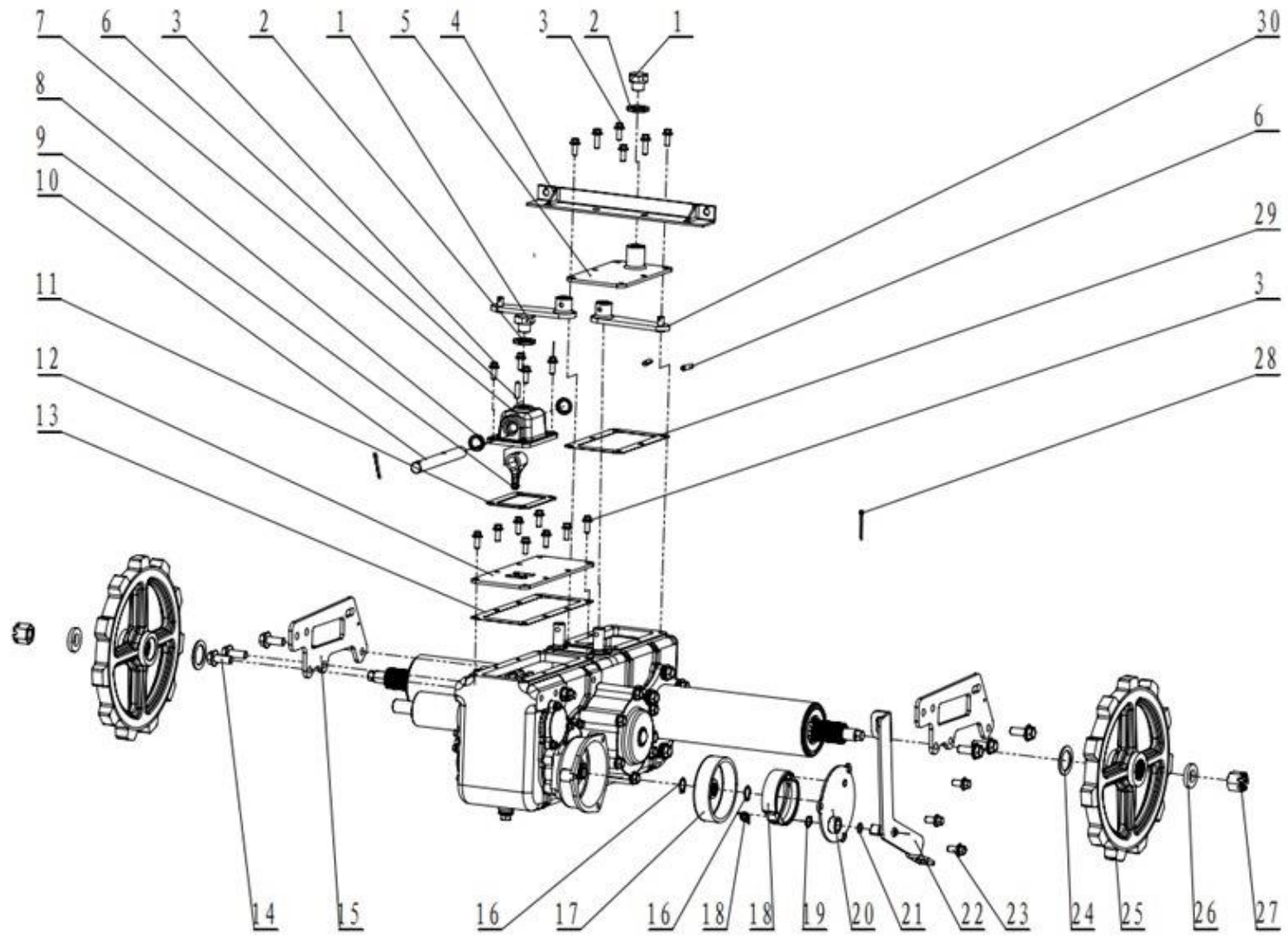
Gearbox Assy – 1

Ref. No	Parts Code	Parts Name	Q'ty	Remarks
58	2133900001-0001	Third gear	1	
59	3410800100-0001	Bushing 20.5x28x28	1	
60	2134100001-0001	Three-axis output gear	1	
61	2134000001-0001	Second gear	1	
62	360730015	Drawn cup needle roller bearing HK25x32x10	1	
63	2146000001-0001	Integral key sleeve	1	
64	3400100016-0001	Gasket 20.5x38x1	1	
65	2118000002-0001	1st double gear	1	
66	3410800099-0001	Bushing 20.5x28x14	1	
67	2140000002-0001	Transmission shaft I	1	
68	3400100017-0001	Gasket 17.5x25x4	1	
69	2133700001-0001	Reverse gear	1	
70	3410800101-0001	Bushing 20.5x30x8	1	
71	360730014	Drawn cup needle roller bearing HK20x26x18	1	
72	2133800001-0001	2nd double gear	1	
73	3410800102-0001	Bushing 20.5x30x44	1	
74	2107300001-0001	Reverse transmission gear	1	
75	3408300001-0001	Brake flange gasket	1	
76	360220055	Small series hex flange bolt M10x25	12	

Gearbox Assy – 1

Ref. No	Parts Code	Parts Name	Q'ty	Remarks
77	360620013	STD spring washer 10	12	
78	2122400001-0001	Output shaft oil seal	2	
79	360910007	Internal circlip 62	4	
80	360720040	Deep groove ball bearing 6206	4	
81	2113600001-0001	Output shaft	2	
82	2427600003-0001	Support seat	2	
83	3408400001-0001	Support seat gasket	2	
84	3410800105-0001	Bushing 28.5x40x10.5	2	
85	2106400004-0001	Gearbox body	1	
86	2107000001-0001	Steering block	4	
87	2104200001-0001	Steering fork	2	
88	360920008	External circlip 8	4	
89	3408800031-0001	Oil seal 15x22x5	2	
90	2103700001-0001	Steering fork shaft	2	
91	3410800104-0001	Bushing 25.5x33x10.5	2	
92	2107100001-0001	Steering double gear	2	
93	3410800103-0001	Bushing 25.5x33x14	1	
94	2107200001-0001	Semi-axle gear	2	
95	3410800106-0001	Bushing 28.5x40x44	1	

Gearbox Assy - 2



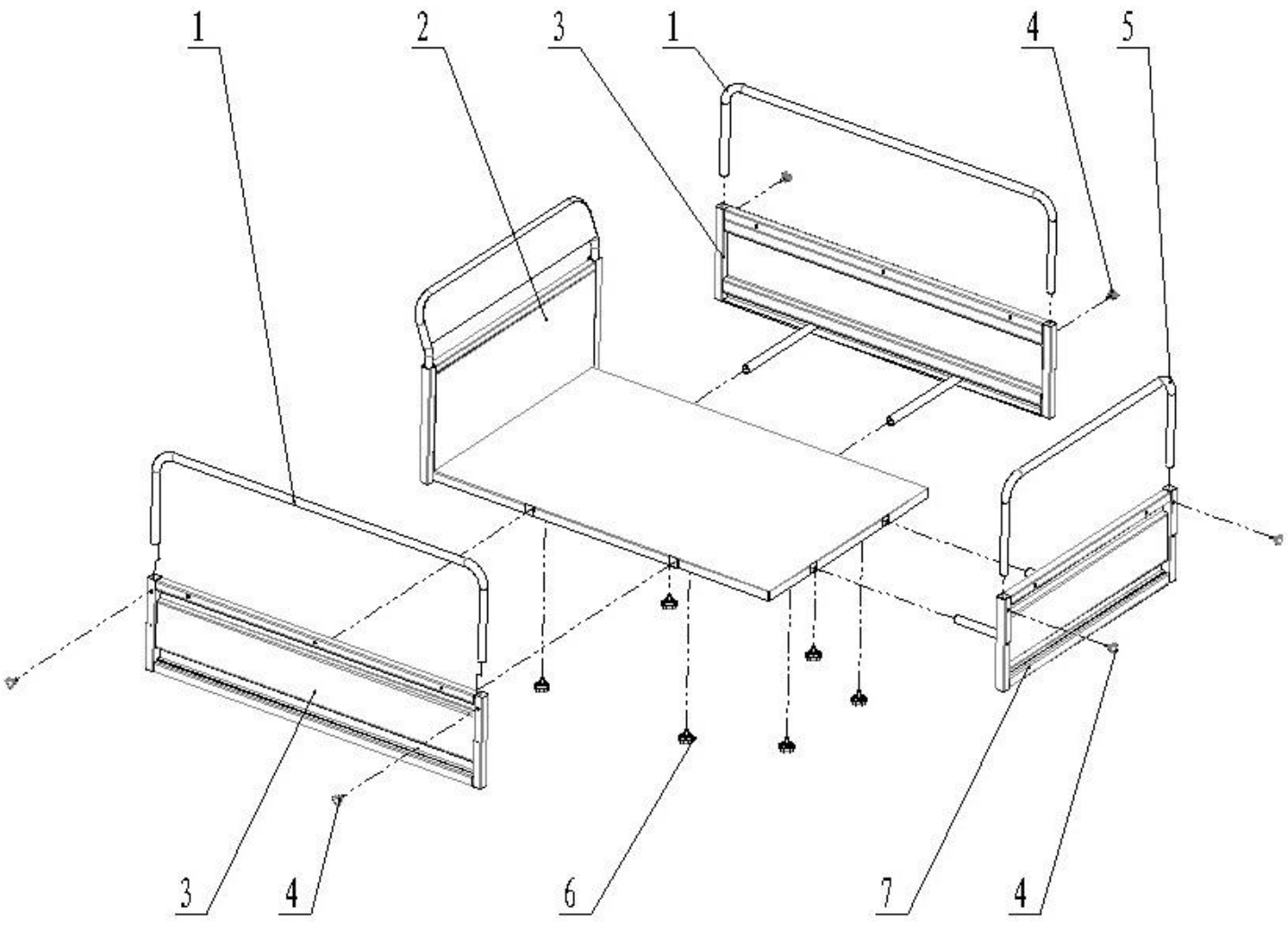
Gearbox Assy - 2

Ref. No	Parts Code	Parts Name	Q'ty	Remarks
1	2425000001-0001	Vent plug	2	
2	3407900003-0001	Combination gasket 16	2	
3	360300041	Small series hex flange bolt M6x16	18	
4	3018100004-0001	Steering cable lug	2	
5	2137700001-0001	Upper cover of gearbox	1	
6	360580009	Elastic cylindrical pin rolled standard type 6x22	3	
7	2104400002-0001	Fork lever box	1	
8	3408800031-0001	Oil seal 15x22x5	2	
9	2405300002-0001	Fork lever	1	
10	2139600002-0001	Fork lever shaft	1	
11	3419600004-0001	Gasket of gearbox cover	1	
12	2137600001-0001	Gearbox cover assy	1	
13	3408600001-0001	Gasket of gearbox cover assy	1	
14	360220062	Small series hex flange bolt M10x20	6	
15	2116600001-0001	Gearbox assemble plate	2	

Gearbox Assy - 2

Ref. No	Parts Code	Parts Name	Q'ty	Remarks
16	360920002	External circlip 16	2	
17	2806500001-0001	Brake drum	1	
18	2806600001-0001	Brake disc TB50	2	
19	360920001	External circlip 14	1	
20	2807300001-0001	Brake cover	1	
21	3416100008-0001	O-ring 10.6x1.8	1	
22	2807200001-0001	Brake cam arm	1	
23	360220094	Small series hex flange bolt M8x16	3	
24	2137000001-0001	V shaft gasket	2	
25	2135300002-0001	Driving wheel	2	
26	360660028	Flat gasket 16	2	
27	360060005	1-Type hex slotted nut M16	2	
28	360560018	Cotter pin 3.2x32	2	
29	3408700001-0001	Gasket of upper cover	1	
30	2140700001-0001	Steering separate arm set	2	

Cargo Box Assy



Cargo Box Assy

Ref. No	Parts Code	Parts Name	Q'ty	Remarks
1	2502700004-0002	Side plate fence	2	
2	2501400010-0003	Bottom plate	1	
3	2501200005-0003	Side plate	2	
4	3015000004-0001	Star grip knob M6x16	6	
5	2501800005-0002	Back plate fence	1	
6	3015000002-0001	Star grip knob M8x16	6	
7	2501100007-0003	Back plate	1	