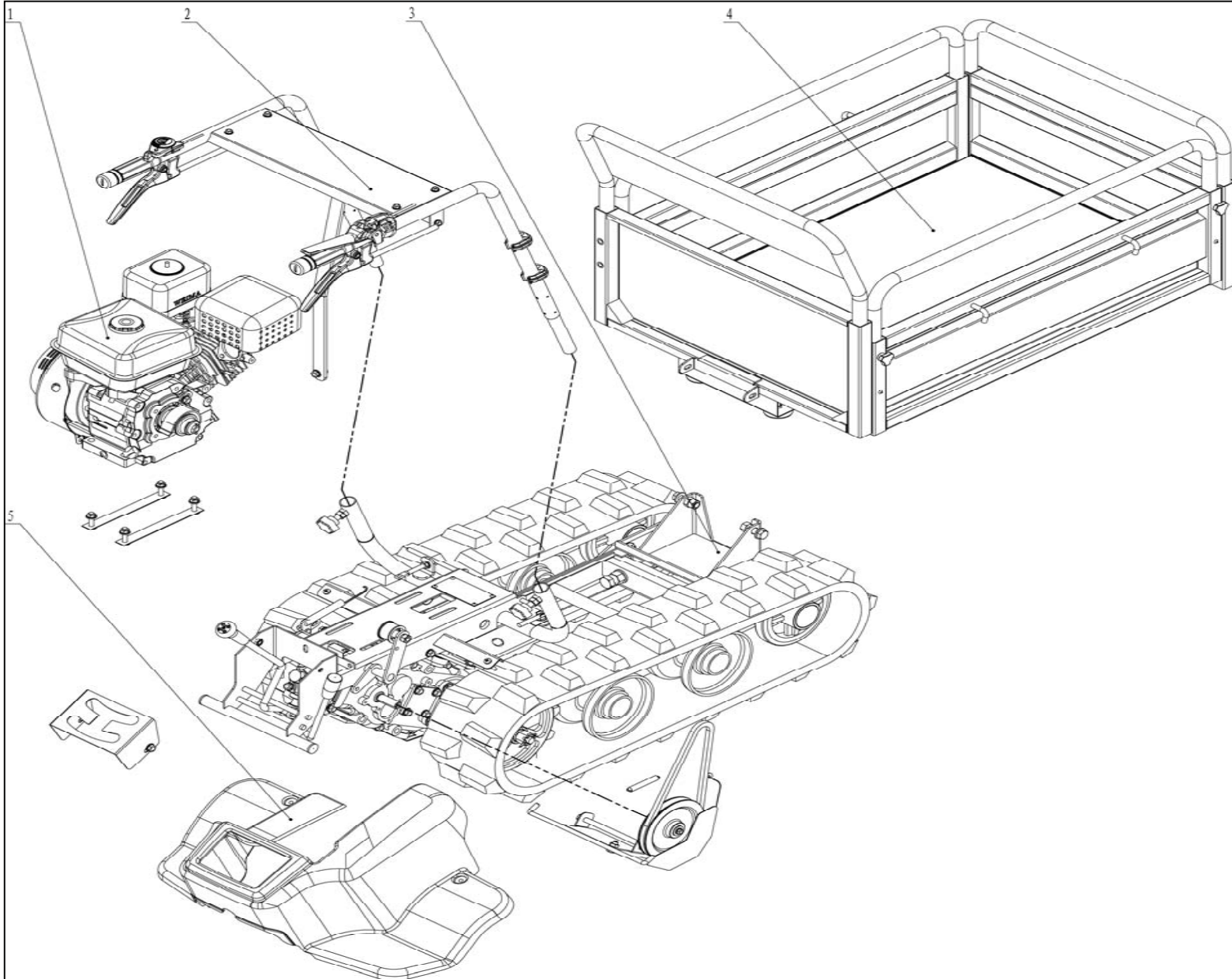


MEC300

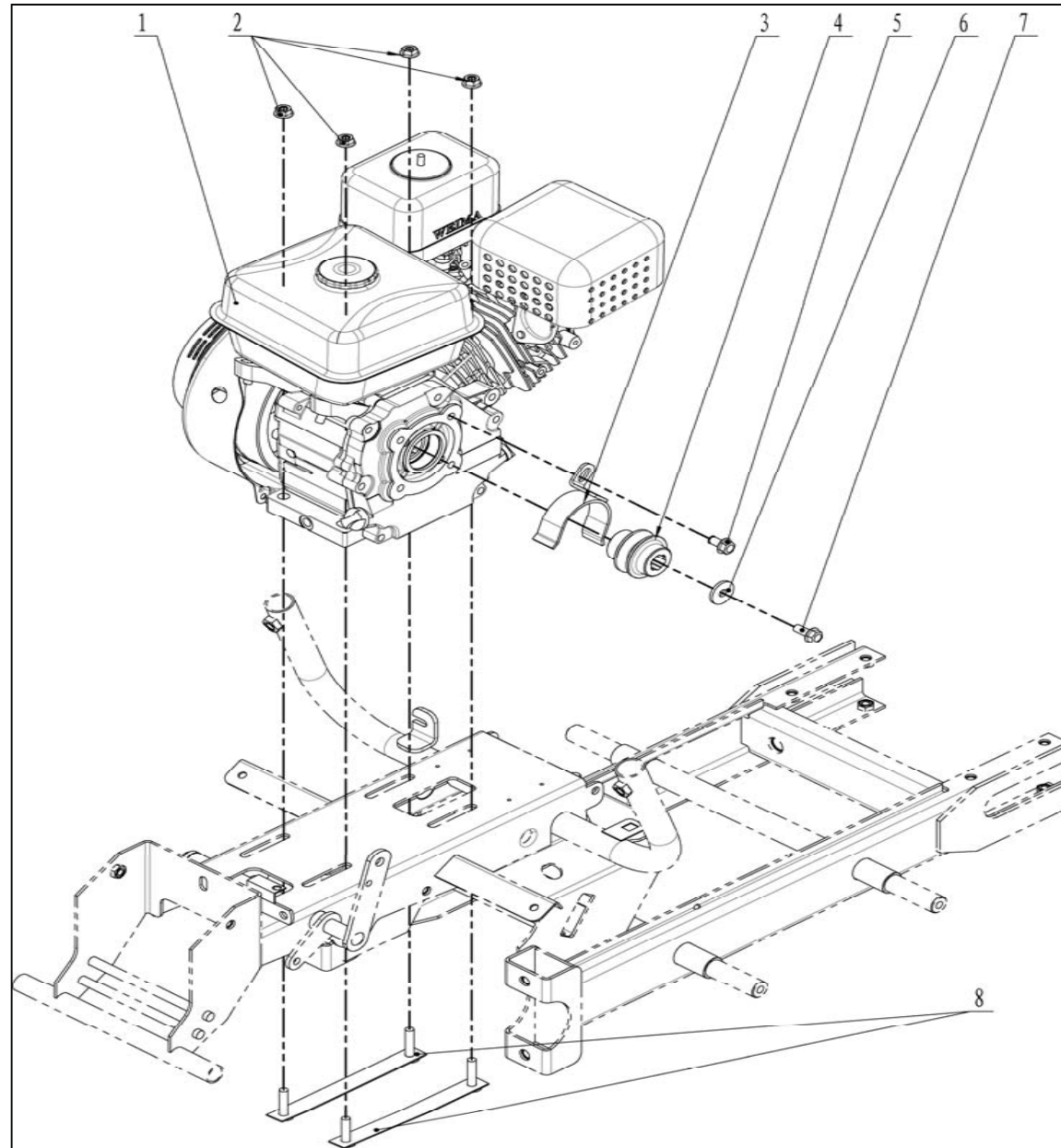
The machine parts



The machine parts

Ref No			Description
1		Engine
2		Handle bar components
3		Chassis and gear box comp
4		Container comp
5		Cover and belt comp

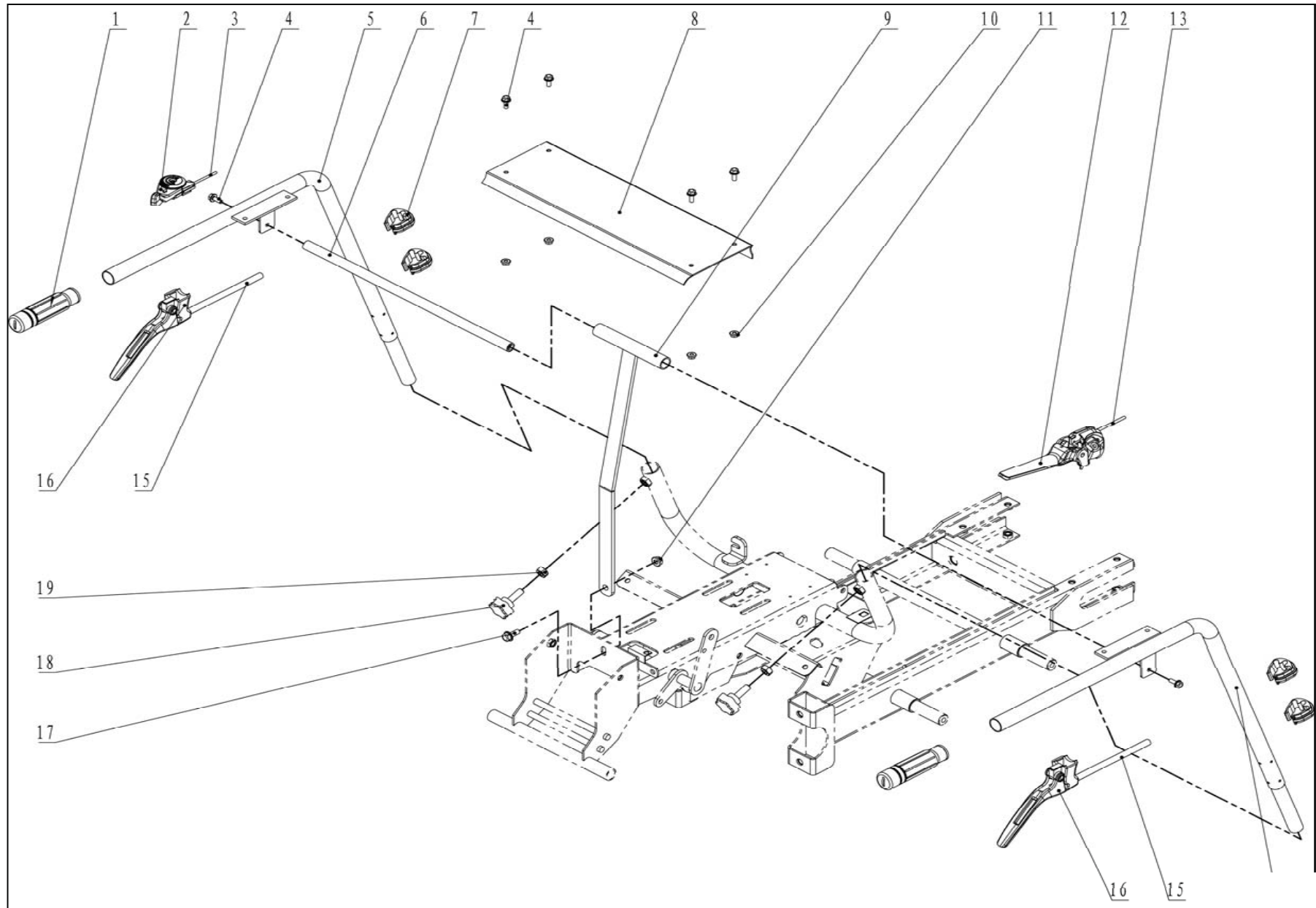
Engine parts



Engine parts

Ref No	Description	Qty
1	10.005.009.0032 Gasoline engine WM168FB/P	1
2	GB/T6177.1-2000 Nut Flange M8	4
3	11.159.014.0002 Small belt pulley cover	1
4	11.159.018.0002 Small belt pulley	1
5	GB/T16674.1-2000 Flange Bolt, M8×16	1
6	GB/T5287-1985 Washer 8, Special	1
7	GB/T16674.1-2000 Flange Bolt, M8×20	1
8	11.151.011.5000 Engine assembling support	2

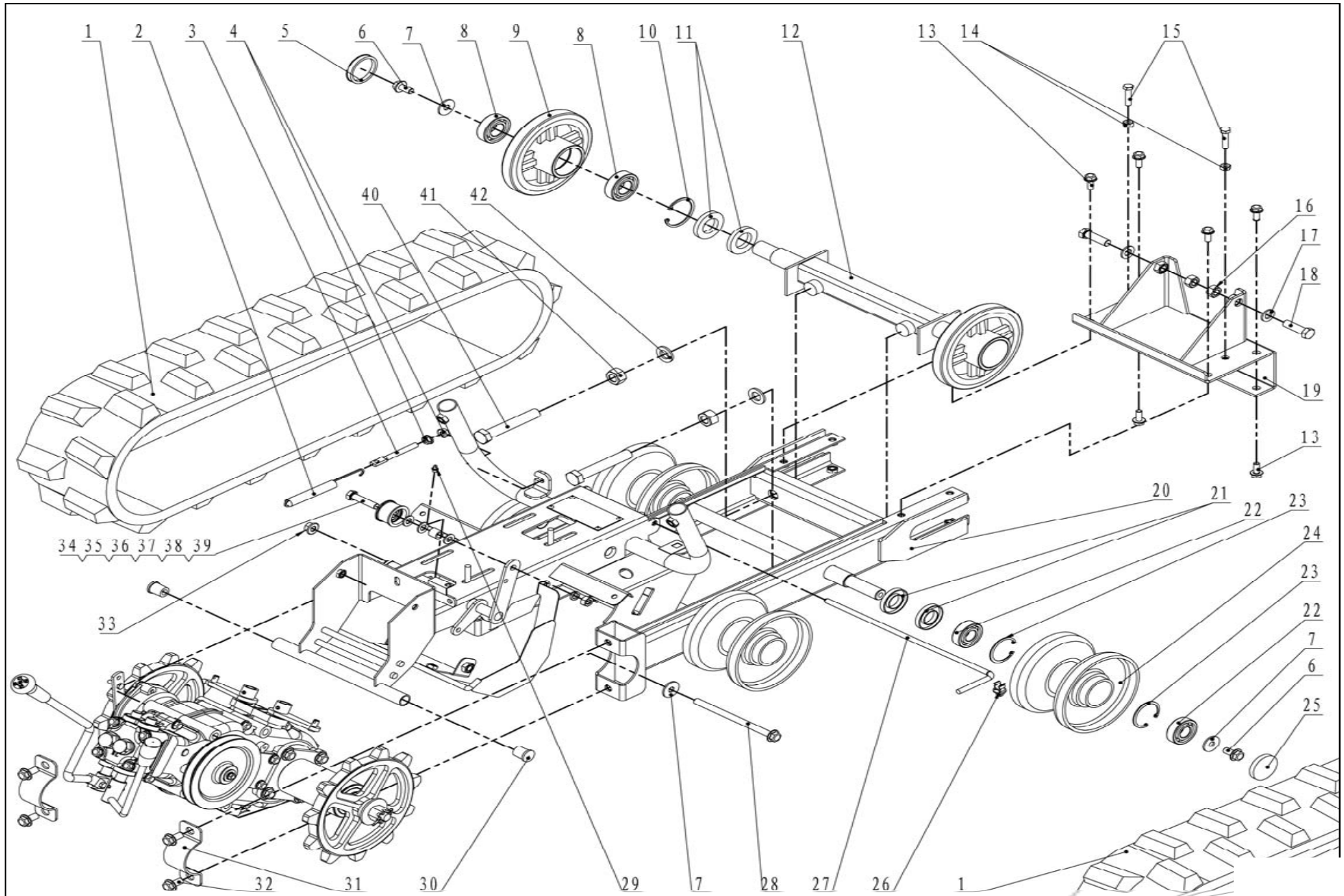
Armrest components



Handle bar components

RefNo	Description	Qty
1	11. 101. 001. 0001 Φ25 grip	2
2	11. 101. 031. 0005 shut down switch	1
3	11. 101. 002. 0501 throttle cable, AKT style	1
4	GB/T5789-1986 Flange Bolt M6×16	6
5	11. 159. 053. 5000 welding assembly for left lever	1
6	11. 159. 054. 0001 welding assembly for horizon lever	1
7	11. 101. 068. 0001 Φ25 line-card	4
8	11. 159. 055. 0001 connecting panel	1
9	11. 152. 044. 1001 welding assembly for supporting panel	1
10	GB/T6177. 1-2000 Nut Flange M6	4
11	GB/T6177. 1-2000 Nut Flange M8	1
12	11. 101. 005. 0100 Main clutch handle	1
13	11. 101. 007. 5000 clutch cable, AKT style	1
14	11. 159. 053. 0001 welding assembly for right lever	1
15	11. 101. 007. 2001 turning cable, AKT style	2
16	11. 101. 005. 0101 turning clutch handle	2
17	GB/T5789-1986 Flange Bolt M8×20	1
18	11. 159. 048. 0003 star handle M10×30	2
19	GB/T6170-2000 Nut M10	2

Chassis and gear box comp 1



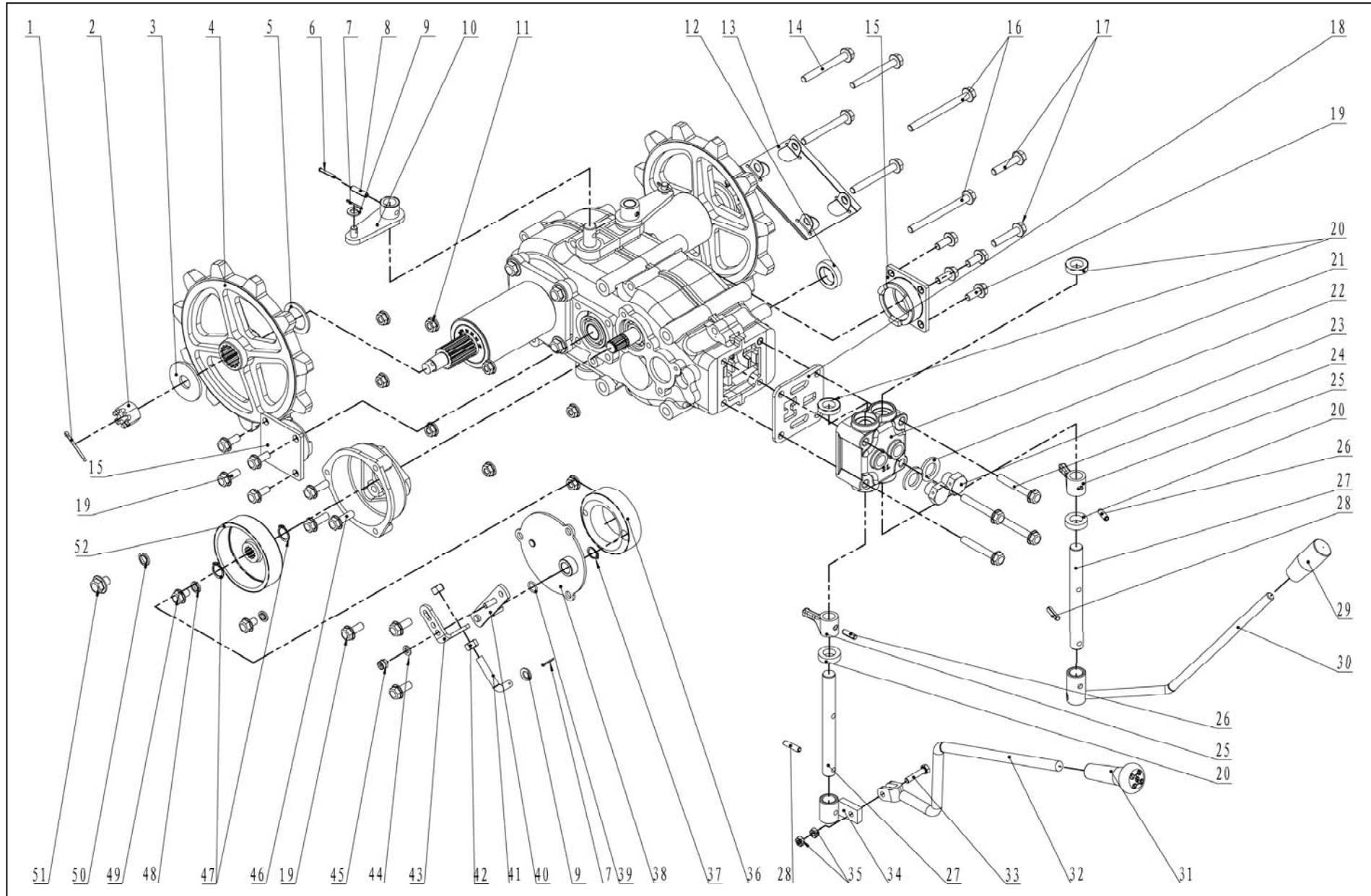
Chassis and gear box comp 1

Ref No			Description	Qty
1	11. 159. 009. 0001		Rubber pedrail 160×60×32	2
2	11. 120. 103. 0501		CE tension spring	1
3	11. 159. 005. 0001		Adjustable short rod	1
4	GB/T6177. 1-2000		Nut Flange M8	2
5	11. 159. 031. 0001	093964	Pulley oil plug 52×6	1
6	GB/T5789-1986	093957	Flange Bolt M10×20	6
7	GB/T96. 1-2002	093958	Washer 10	7
8	GB/T276-1994	093962	Bearing Ball, 6205	4
9	11. 120. 019. 5001	093963	Tension pulley	2
10	GB/T893. 1-86	093961	Retaining ring 52	2
11	12. 016. 002. 3002	093960	Oil seal FB30×52×7	4
12	11. 159. 032. 0001	093959	Front shaft body	1
13	GB/T5789-1986		Flange Bolt M8×20	6
14	GB/T6170-2000		Nut M8	2
15	GB/T5783-2000		Bolt M8×35	2
16	GB/T6170-2000		Nut M12	2
17	GB/T97. 1-2002		Washer 12	2
18	GB/T5783-2000		Bolt M12×40	2
19	11. 159. 004. 0001		Container linking seat	1
20	11. 159. 001. 0601		CE Buttom frame comp	1
21	12. 015. 028. 0042		Oil seal FB25×47×7	

Chassis and gear box comp 1

Ref No	Description	Qty
22	GB/T276-1994 Bearing Ball, 6204	8
23	GB/T893. 1-86 Retaining ring 42	8
24	11. 159. 003. 5000 Thrust wheel welding	4
25	11. 159. 031. 0002 Thrust wheel oil plug 47×6.5	4
26	GB/T5780-2000 Bolt M10×35	1
27	12. 050. 001. 0001 Straight forced filling oil cup M6	1
28	11. 159. 007. 0001 Rubber plug	2
29	11. 159. 011. 0001 Output shaft platen	2
30	GB/T5789-1986 Flange Bolt M10×25	4
31	GB/T6177. 1-2000 Nut Flange M10	1
32	GB/T5782-2000 Bolt M10×45	1
33	11. 120. 019. 5000 Tension pulley comp	1
34	GB/T97. 1-2002 Washer 10	3
35	11. 106. 031. 5000 Sheath 10×15×14	1
36	GB/T93-1987 Washer Spring 10	1
37	GB/T6170-2000 Nut M10	1
38	GB/T5783-2000 Bolt M16×100	2
39	GB/T6170-2000 Nut M16	2
40	GB/T97. 1-2002 Washer 16	2

Chassis and gear box comp 2



Chassis and gear box comp 2

Ref No			Description	Qty
1	GB/T91-2000		Pin 3.2×18	2
2	GB/T6178-1986		Flange nut M16	2
3	GB/T96.2-2002		Washer 16	2
4	11.159.017.0001		Driving pulley	2
5	11.106.032.5000		V shaft outside gasket	2
6	GB/T879.1-2000		Cylindrical pin 3.5×24	2
7	GB/T91-2000		Pin 2×18	3
8	GB/T879.1-2000		Cylindrical pin 6×24	2
9	GB/T97.1-2002		Washer 8	3
10	11.159.025.0001		Turning detached arm	2
11	GB/T6177.1-2000		Nut Flange M8	8
12	GB/T9877-2008		Oil seal FB24×35×7	1
13	11.155.009.0002		Transmission box guard board	1
14	GB/T5789-1986		Flange Bolt M8×70	4
15	11.159.016.0001		Stop motion plate	2
16	GB/T5789-1986		Flange Bolt M8×95	2
17	GB/T5789-1986		Flange Bolt M8×40	2
18	11.152.062.0501		Lever limit place	1
19	GB/T5789-1986		Flange bolt M8×20	11
20	GB/T9877-2008		Oil seal FB15×26×7	6
21	11.159.022.5000		Fork lever box	1

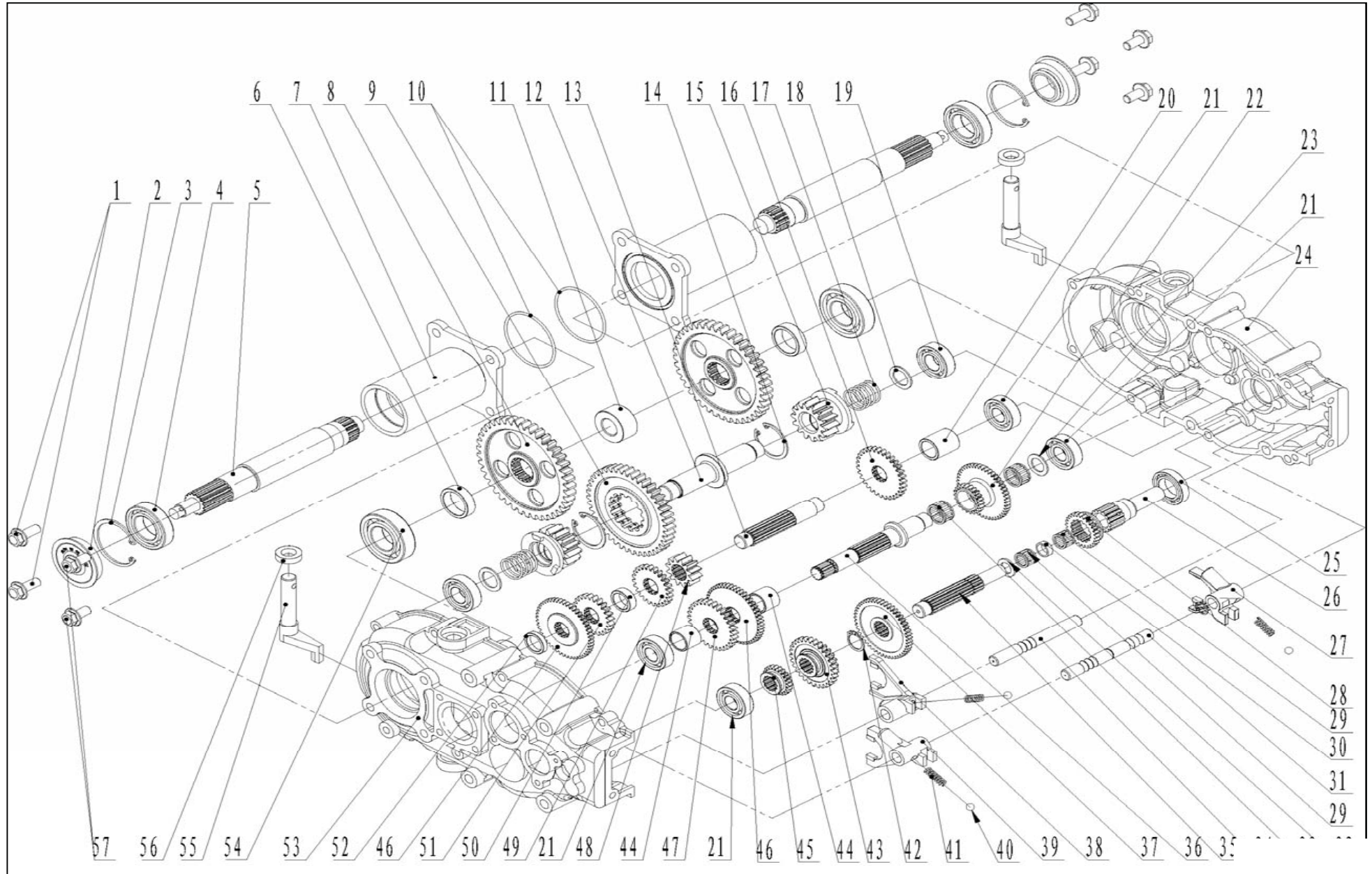
Chassis and gear box comp 2

Ref No	Description	Qty
22	JB/T982-77 Combination airproof 16	2
23	11. 159. 027. 0001 Breather plug	2
24	GB/T5789-1986 Flange Bolt M8×55	4
25	11. 152. 062. 0502 Driving lever	2
26	GB/T879. 2-2000 Pin 6×18	2
27	11. 159. 020. 0006 Driving lever shaft	2
28	GB/T879. 2-2000 Cylindrical pin 6×24	2
29	11. 101. 001. 0013 Grip rubber	1
30	11. 159. 026. 6500 High-Low gear change lever	1
31	D2402111 12 rod sheath	1
32	11. 159. 026. 6000 Shift gear lever	1
33	GB/T5782-2000 Bolt, M6×30	1
34	11. 159. 026. 5000 Shift gear lever sheath	1
35	GB/T6170-2000 Nut M6	2
36	11. 159. 030. 0001 Brake piece (TB50)	1
37	GB/T894. 1-1986 Clip 14, Shaft lock,	1
38	11. 159. 023. 5600 Break box welding part	1
39	GB/T3452. 1-82 O-ring 10.6×1.8	1
40	11. 159. 028. 0001 Break box turning arm welding part	1
41	11. 159. 029. 0001 Hook-headed screw	1
42	GB/T6170-2000 Nut M8	2

Chassis and gear box comp 2

Ref No			Description	Qty
43	11. 159. 028. 5000		Camshaft arm plate	1
44	GB/T97. 1-2002		Washer 6	1
45	GB/T889. 1-2000		Locker Nut, M8	1
46	GB/T5789-1986		Flange Bolt M8×20	3
47	GB/T894-1986		Clip 16, Shaft lock,	2
48	JB/T982-77		Combination airproof 8	2
49	GB/T5789-1986		Flange Bolt M8×12	2
50	JB/T982-77		Combination airproof 10	1
51	GB/T5789-1986		Flange Bolt M10×12	1
52	11. 159. 021. 0001		Drum break	1

Chassis and gear box comp 3



Chassis and gear box comp 3

RefNo	RefNo	RefNo	Description	Qty
1	GB/T5789-1986		Flange Bolt M10×25	4
2	11. 120. 074. 2000		Combination oil seal 30×55×18	2
3	GB/T893. 1-86		Clip 55	2
4	GB/T276-1994		Bearing Ball, 6006	2
5	11. 159. 020. 0004		V shaft	2
6	11. 120. 029. 0201		V shaft sheath	2
7	11. 159. 024. 0001		Support seat	2
8	11. 102. 095. 3902		V shaft driven gear	2
9	11. 102. 095. 3901		IV shaft driven gear	1
10	GB/T3452. 1-2005		O-ring 65×2. 65	2
11	11. 120. 118. 5000		V shaft connection sheath	1
12	11. 159. 020. 0003		IV shaft	1
13	11. 159. 020. 0005		III Shaft	1
14	GB/T893. 1-86		Clip 55	2
15	11. 102. 095. 4200		Turning gear	2
16	11. 102. 095. 4100		2nd gear driven gear	1
17	11. 120. 036. 0050		Walikng return spring	2
18	11. 159. 019. 0003		IV shaft gasket	2
19	GB/T276-1994		Bearing Ball, 6004	2
20	11. 120. 029. 0200		III Shaft long sheath	1
21	GB/T276-1994		Bearing Ball, 6203	

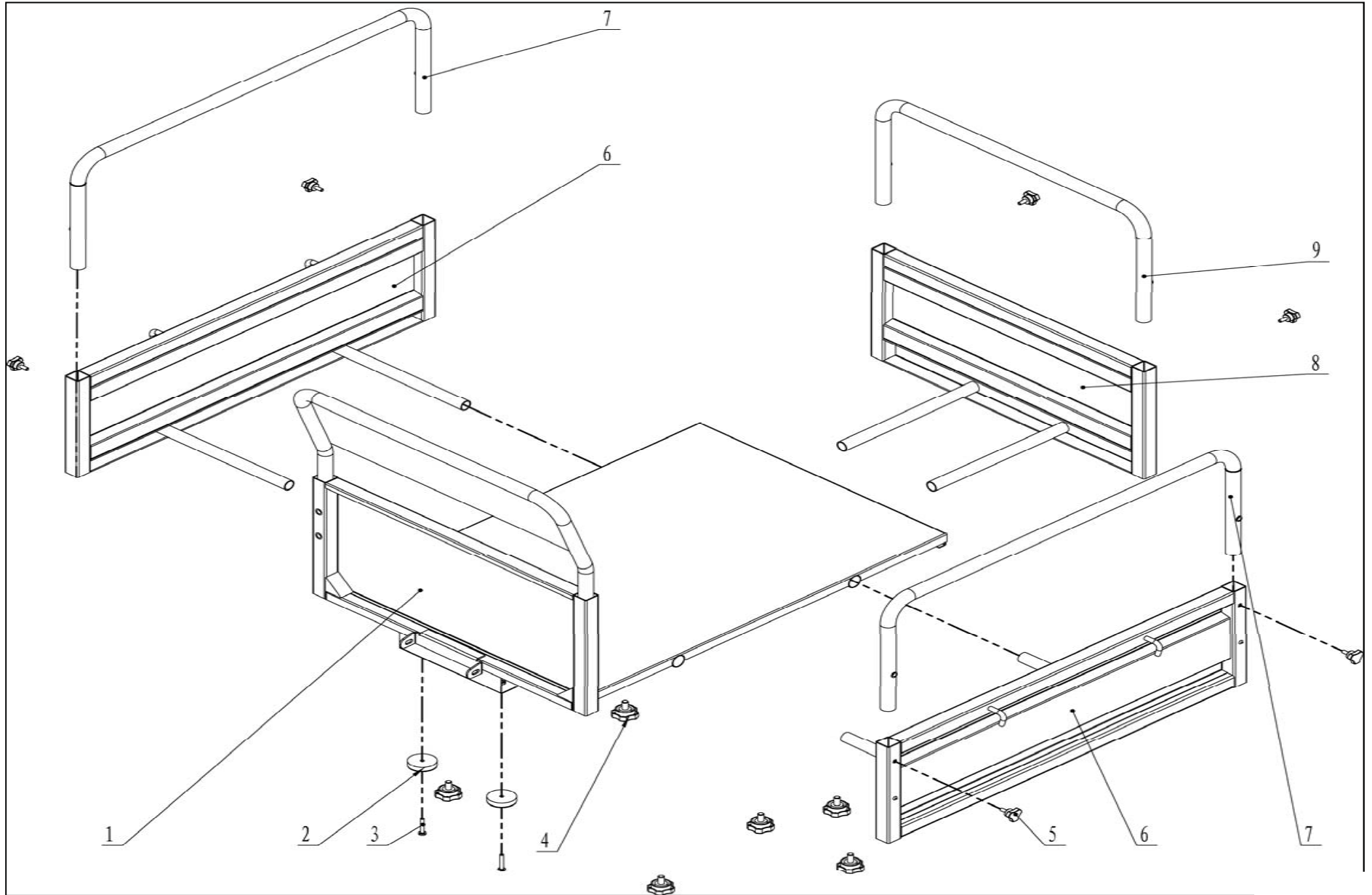
Chassis and gear box comp 3

RefNo	RefNo	RefNo	Description	Qty
22	11.102.095.3700		Vice speed double-toothed gear	1
23	11.159.019.0002		II shaft thin gasket	1
24	11.152.039.5001		Right case cover	1
25	GB/T276-1994		Bearing Ball, 61905	1
26	11.103.014.5000		Input shaft	1
27	11.103.013.1204		High-Low speed fork	1
28	11.102.095.2000		Vice speed slippage gear	1
29	JB/T7918-1997		Needle bearing K14×18×13	2
30	11.152.037.5000		Input shaft clip	1
31	11.106.012.2000		Up fork	1
32	11.159.019.0001		Gasket between input shaft and I shaft	1
33	JB/T7918-1997		Needle bearing K20×24×13	2
34	11.106.012.2001		Down fork	1
35	11.159.020.0001		I shaft	1
36	11.159.020.0002		II shaft	1
37	11.102.095.3000		Vice speed driven gear	1
38	11.103.013.1205		2-3 gear fork	1
39	11.103.013.1203		1-R gear fork	1
40	12.010.001.0040		Steel ball Sφ8	3
41	11.102.052.5000		Spring (8×25)	3
42	GB/T894-1986		Clip 20, Shaft lock,	

Chassis and gear box comp 3

RefNo	Description	Qty
43	11. 102. 095. 3500 2-3 slippage gear	1
44	11. 120. 029. 0050 II shaft sheath	2
45	11. 102. 095. 3600 1-R slippage gear	1
46	11. 102. 095. 3400 1-R driven gear	2
47	11. 102. 095. 3300 II shaft driving gear	1
48	11. 102. 095. 4000 III gear driving gear	1
49	11. 102. 095. 3900 III gear driven gear	1
50	11. 120. 029. 0150 III shaft middle sheath	1
51	11. 102. 095. 3800 III shaft driven gear	1
52	11. 120. 029. 0100 III shaft short sheath	1
53	11. 152. 039. 5000 Left case cover	1
54	GB/T276-1994 Bearing Ball, 6206	2
55	11. 103. 013. 1200 Turning separate fork	2
56	12. 016. 002. 3000 Oil seal FB15×26×7	2
57	GB/T5789-1986 Flange Bolt M10×20	4

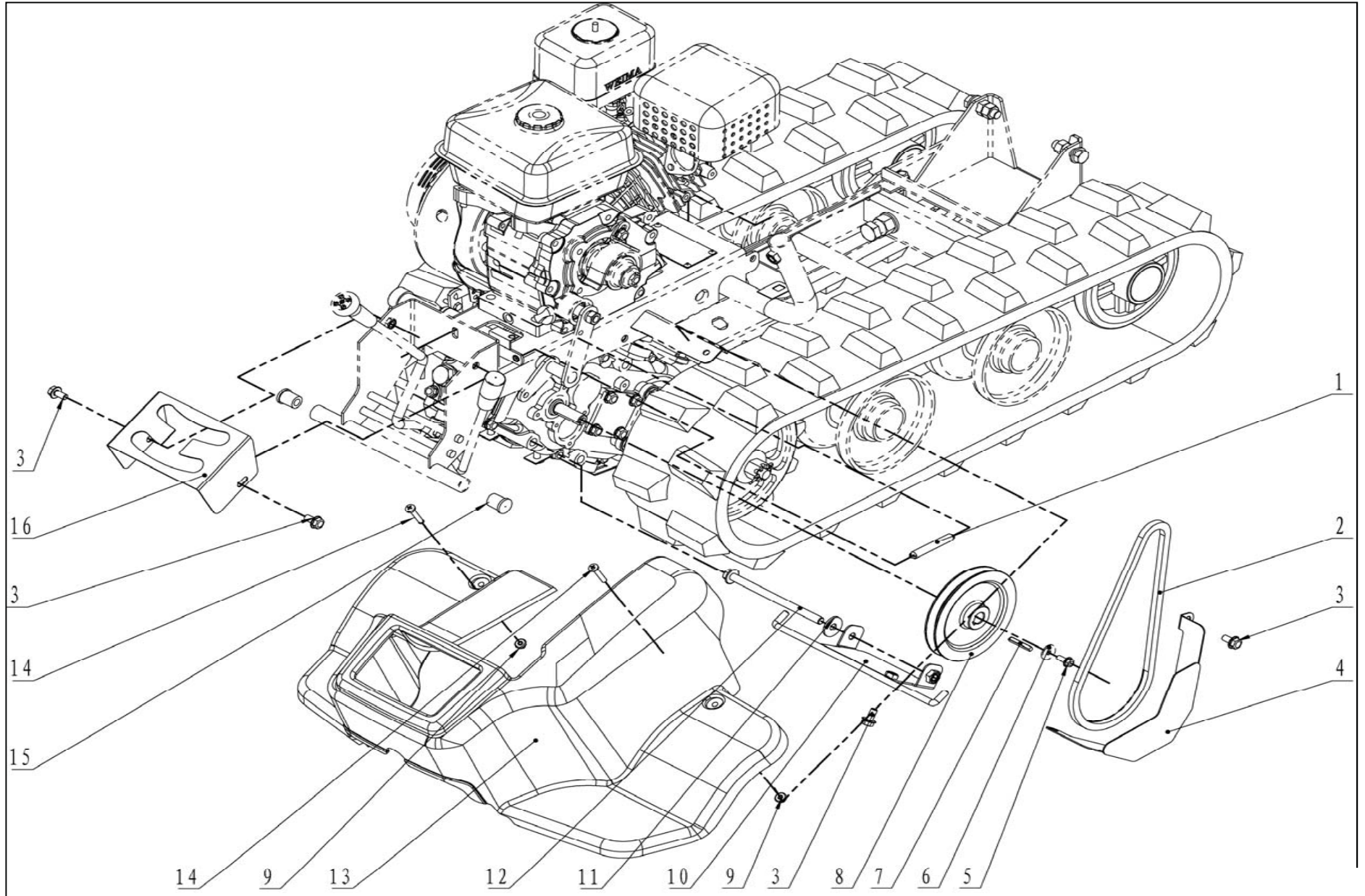
Container comp



Container comp

Ref No			Description	Qty
1	11.159.039.0080		AKT Container under board	1
2	11.108.999.5000		Cushion	2
3	GB/T818-2000		Cross pan head screw M6×20	2
4	11.159.048.0002		star handle M10×25	6
5	11.101.023.5000		Locking handle 6×16	6
6	11.159.039.0021		AKT Container side board	2
7	11.159.082.0001		The side of the U shaped tube	2
8	11.159.039.0540		AKT Container back board	1
9	11.159.082.0002		The back of the U shaped tube	1

Cover and belt comp



Cover and belt comp

Ref No			Description	Qty
1	11. 120. 073. 0500		Tension pulley return spring	1
2	11. 120. 023. 5000		Belt 13×785	1
3	GB/T5789-1986		Flange Bolt, M8×16	4
4	11. 159. 014. 0001		Big belt pulley cober	1
5	GB/T5789-1986		Flange bolt M6×16	1
6	GB/T5287-1985		Washer 6, Special	1
7	GB/T1096-2003		Round head key C5×36	1
8	11. 159. 018. 0001		Big belt pulley	1
9	GB/T6177. 1-2000		Nut Flange M6	2
10	11. 159. 013. 0001		Cover suppoort frame	1
11	GB/T96. 1-2002		Washer 10	1
12	GB/T5781-1986		Bolt M10×150	2
13	11. 159. 012. 0001		Plasctic cover	1
14	GB/T818-2000		Cross pan head screw M6×35	2
15	11. 159. 007. 0001		rubber stopper	2
16	11. 152. 062. 0500		Limit board	1