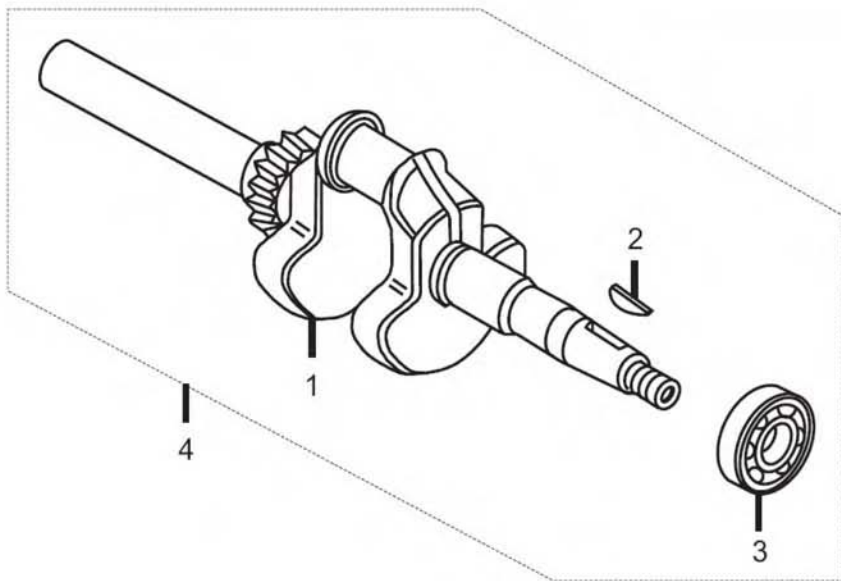


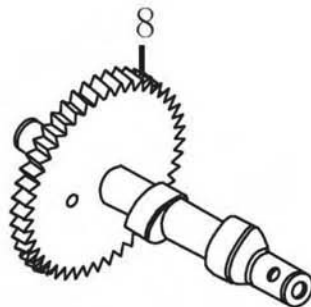
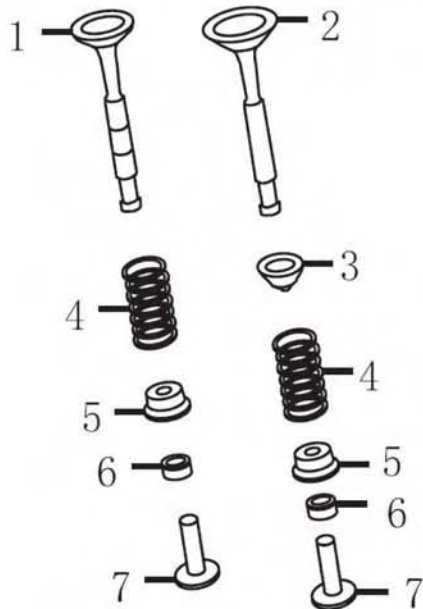
### PISTON/CONNECTORGRD

No.	Part No.	Description	(Reqd. No.)
1	103121-142000	RINGSET, PISTON	1
2	103122-142000	PISTONRING	1
3	103124-142000	BUSHINGRING	1
4	103126-142000	OILRING	2
5	103101-142000	PISTON	1
6	103115-142000	CLIP, PISTONPIN	2
7	103111-142000	PIN, PISTON	1
8	103202-142000	CONNECTINGROD	1
9	103203-142000	CONNECTINGRODCOVER	1
10	103204-142000	BOLT	2
11	103201-142000	ROD ASSY. , CONNECTING	1
12	103120-142000	RINGSET	1



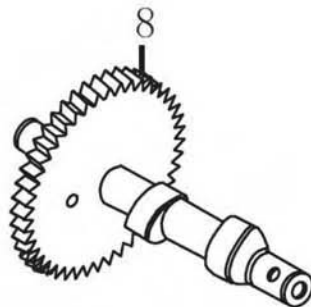
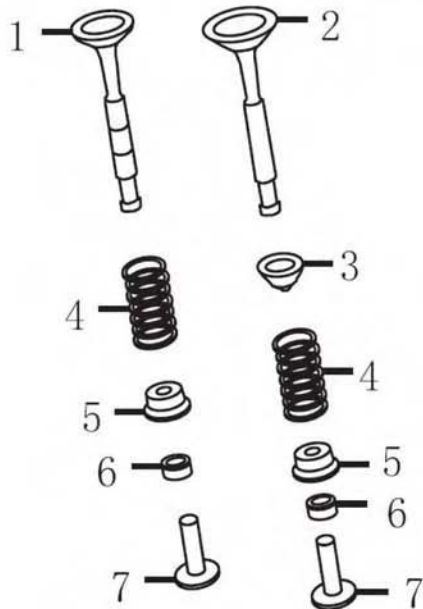
## CRANKSHAFT

No.	Part No.	Description	(Reqd. No. )
1	E10311-142000	CRANKSHAFT	1
2	T44000-T000010	KEY, SPECIALWODDRUFF	1
3	E10221-T000080	BEARING6203	1
4	104100-142000	CRANKSHAFTASSY.	1



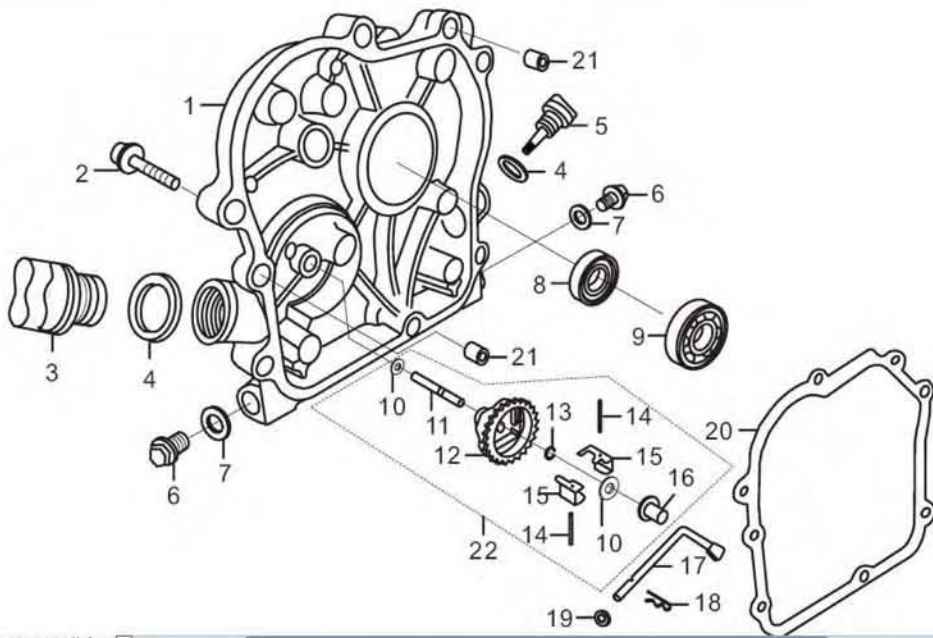
PISTON/CONNECTOR ROD

No.	Part No.	Description	(Reqd. No. )
1	104312-142000	VALVE, EX	1
2	104311-142000	VALVE, IN	1
3	104399-142000	SEAL, GUIDE	1
4	104321-142000	SPRING, VALVE	2
5	104394-142000	RETAINER, VALVESPRING	2
6	104313-142000	ROTATOR, VALVE	2
7	104197-142000	LIFTER, VALVE	2
8	104110-142000	CAMSHAFT ASSY.	1



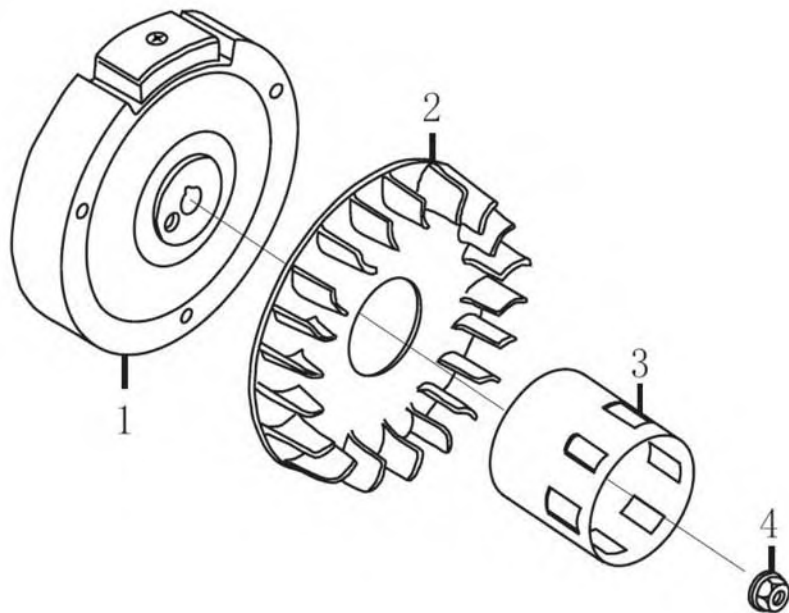
### PISTON/CONNECTOR ROD

No.	Part No.	Description	(Reqd. No. )
1	104312-142000	VALVE, EX	1
2	104311-142000	VALVE, IN	1
3	104399-142000	SEAL, GUIDE	1
4	104321-142000	SPRING, VALVE	2
5	104394-142000	RETAINER, VALVESPRING	2
6	104313-142000	ROTATOR, VALVE	2
7	104197-142000	LIFTER, VALVE	2
8	104110-142000	CAMSHAFT ASSY.	1



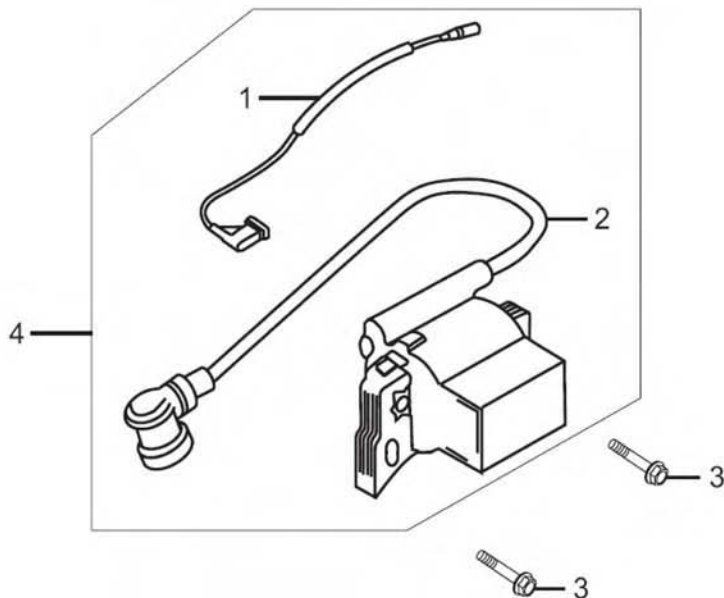
### COVER

No.	Part No.	Description	(Reqd. No.)
1	E10208-142000	COVER	1
2	SB0610-0000000DL	BOLT M6×28	6
3	105500-142000	OIL STICK	1
4	105502-142000	PADPACKING, OIL FILLER	2
5	105300-142000	OIL CAP	1
6	105099-144000	OILTRAINBOLTM10X15	2
7	105096-144000	WASHER	2
8	E10220-T000150	OILSEAL17×30×6	1
9	E10221-T000080	BEARING6203	1
10	121301-142000	WASHER, FLAT	1
11	121304-142000	SHAFT, GOVERNOR	1
12	121311-142000	GEAR, GOVERNOR	1
13	121303-142000	CLIP, GOVERNORSHAFT	1
14	121313-142000	PIN, GOVERNORWERTHT	2
15	121312-142000	WEIGHT, GOVERNOR	2
16	121302-142000	SLIDER, GOERNOR	1
17	121005-142000	GOVERNOR ARM	1
18	121007-142000	PIN, SPLIT	1
19	T21000-142000	PAD	1
20	E10209-142000	SEALINGGASKET	1
21	T41000-T000040	PIN, DOWEL8×12	2
22	121311-142000	GOVERNORGEARASSY	1



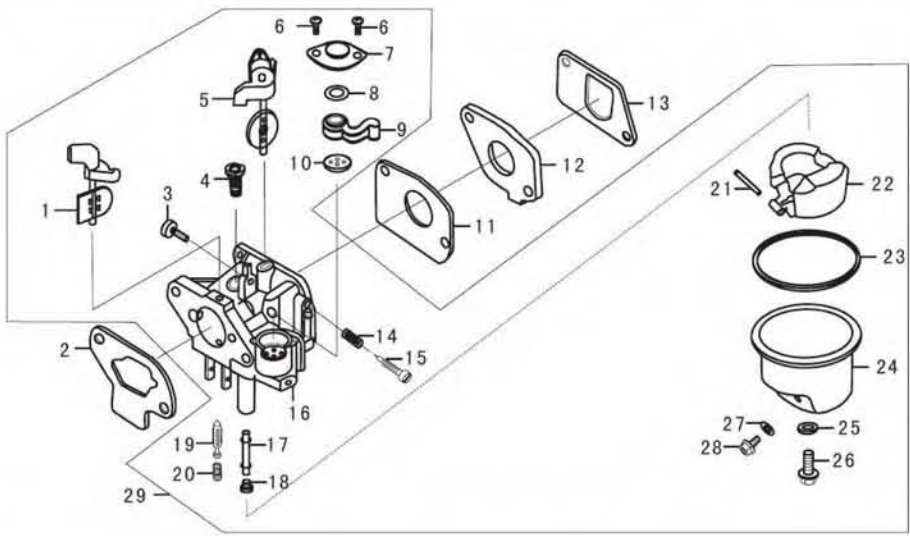
### FLY WHEEL COMP

No.	Part No.	Description	(Reqd. No.)
1	375100-142000	FLY WHEEL COMP	1
2	103292-142000	FAN COOLING	1
3	103293-142000	CUP STARTER	1
4	103299-T000010	NUT M12×1.25	1



### IGNITORASSY.

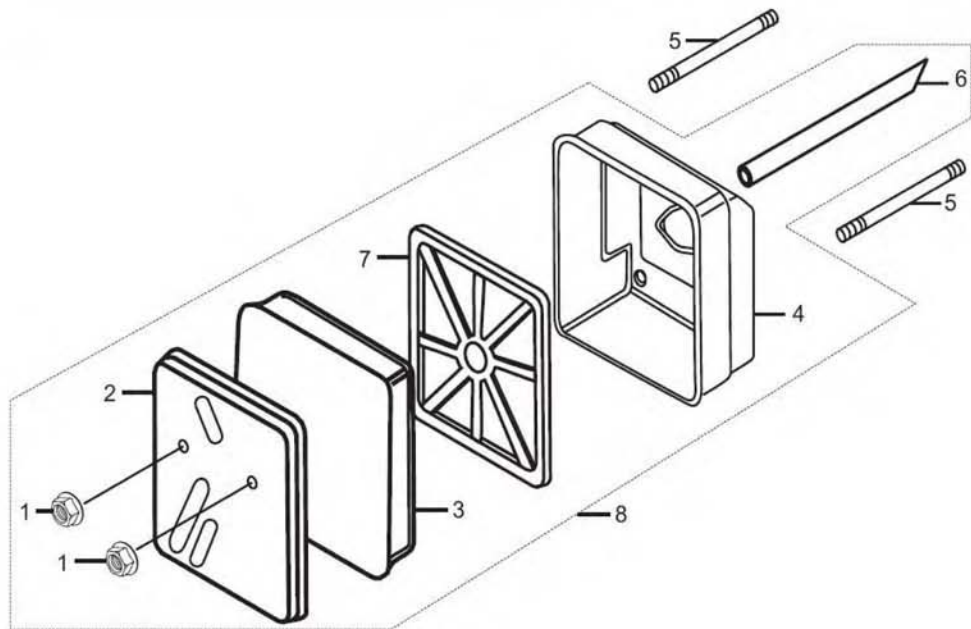
No.	Part No.	Description	(Reqd. No.)
1	305072-142000	DESCRIPTION	1
2	305100-142000	CORD, STOPSWITCH	1
3	SA0628-0000000DL	BOLT M6×28	2
4	305000-142000	IGNITORASSY.	1



### CARBURETOR

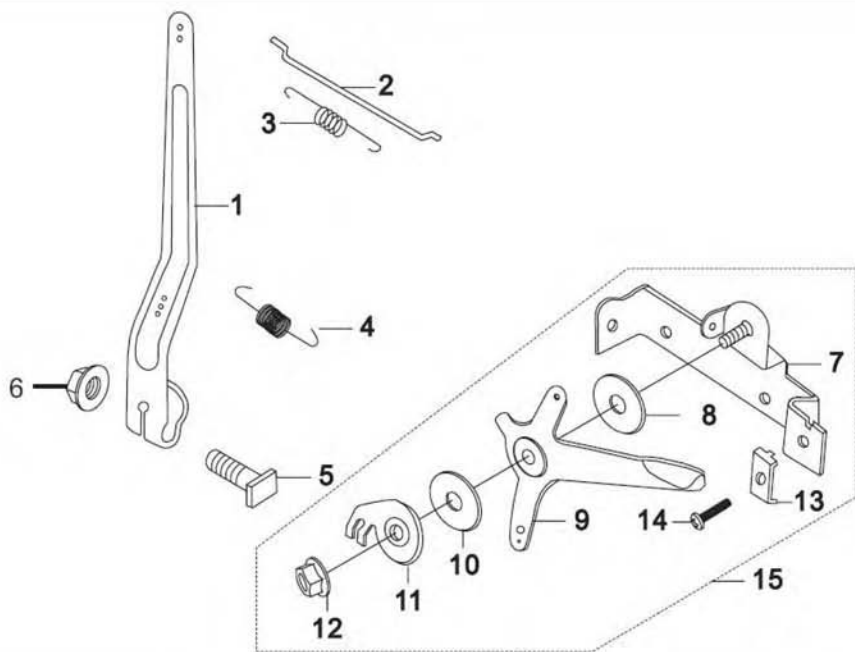
No.	Part No.	Description	(Reqd. No.)
1	113160-142000	CHOKEASSY.	1
2	115050-142000	GASKET, AIR CLEANER	
3	113117-142000	SCREW, THROTTLE STOP	
4	113107-142000	BOTTOM SUB, JET SET	
5	113150-142000	THROTTLE VALVE ASSY.	
6	D20308-0000000BZ	SCREW , PAN	
7	113108-142000	PLATE, LEVER SETTING	
8	113112-142000	SPRING, COCK LEVER	
9	113109-142000	LEVER, COCK	
10	113110-142000	PACKING, FUEL COCK	
11	113198-142000	PACKING, CARBURETOR	
12	113613-142000	INSULATIR, CARBURETOR	
13	113614-142000	PACKING, INSULATOR	
14	113115-142000	SPRING, SCREW	
15	113116-142000	SCREW	
16	113121-142000	NOUMENON, CARBURETOR	
17	113123-142000	NOZZLE, MAIN	
18	113125-142000	JET, MAIN	
19	113143-142000	VALVE, FLOAT	
20	113144-142000	SPRING, VALVE SET	
21	113142-142000	PIN, FLOAT	
22	113141-142000	FLOAT	
23	113172-142000	GASKET, OIL CUP	
24	113171-142000	OIL CUP	
25	113182-142000	WASHER, OIL CUP BOLT	
26	113183-142000	BOLT, OIL CUP	
27	105099-142000	DRAIN BOLT	
28	105096-142000	GASKET, OIL CUP	
29	113100-142000	CARBURETOR	





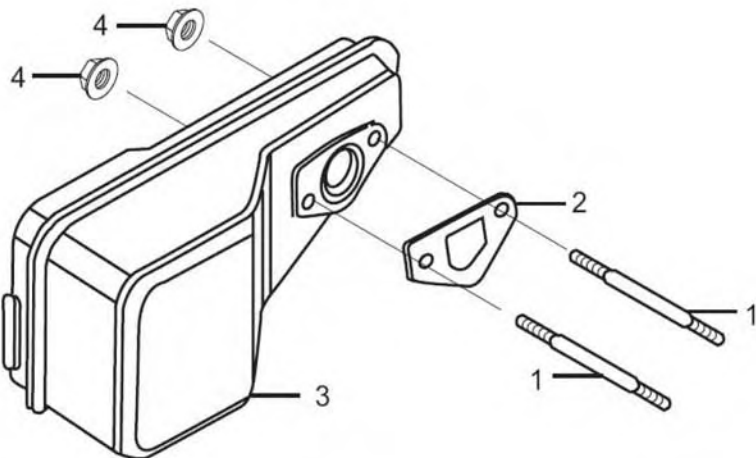
### AIR CLEANER ASSY

No.	Part No.	Description	(Reqd. No.)
1	M10500-0000000BZ	NUT M5	2
2	115100-142000	COVER, AIRCLEANER	1
3	115300-142000	ELEMENT ASSY., AIR CLEANER	1
4	115500-142000	ELBOW COMP., AIR CLEANER	1
5	102229-T000230	BOLT, STUD	2
6	115051-142000	TUBE, BREATHER	1
7	113613-142000	INSULATIR, CARBURETOR	1
8	115000-142000	AIR CLEANER ASSY	1



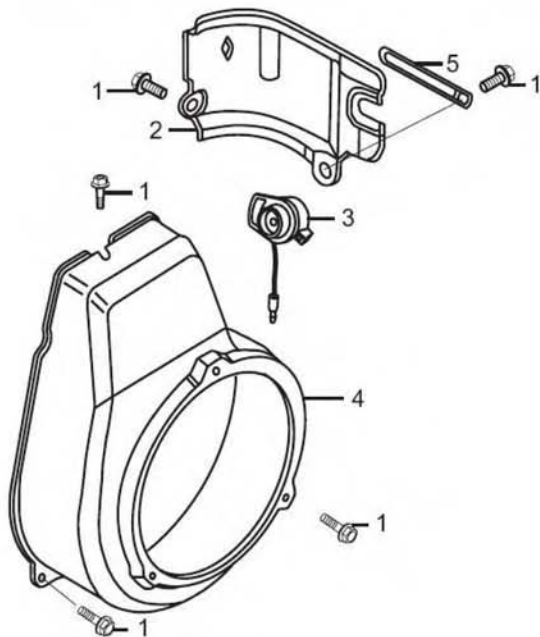
CONTORL ASSY

No.	Part No.	Description	(Reqd. No. )
1	121005-142000	SHAFT, GOVERNOR ARM	1
2	121001-142000	ROD, GOVERNOR	1
3	121002-142000	SPRING, GOVERNOR	1
4	121003-142000	SPRING, THROTTLE RETURN	1
5	SA0608-0000000DL	BOLT, STUD M6×8	1
6	M10600-0000000DL	NUT M6	2
7	121107-142000	RETAINER, CONTROL ASSY	1
8			1
9	121104-142000	HANDLE, CONTROL	1
10	E70313-T000010	WASHER, SPRING	1
11	121101-142000	FIXING PLATE	1
12	M10800-0000000DL	NUT M8	1
13	121105-142000	BACK PLATE, DRAGLINE	1
14	SA0608-0000000DL	BOLT, STUD M6×8	1
15	121100-142000	CONTORL ASSY	1



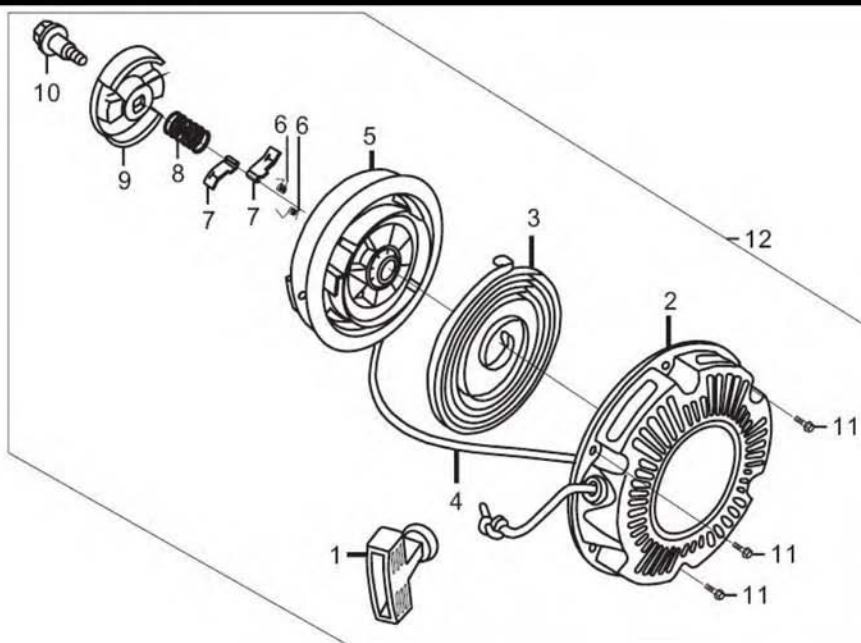
### MUFFLER ASSY.

No.	Part No.	Description	(Reqd. No.)
1	102229-T000050	BOLT, STUD M6×56	2
2	117075-142000	GASKET, MUFFLER	1
3	117000-142000	MUFFLER ASSY.	1
4	M10800-0000000DL	NUT M8	2



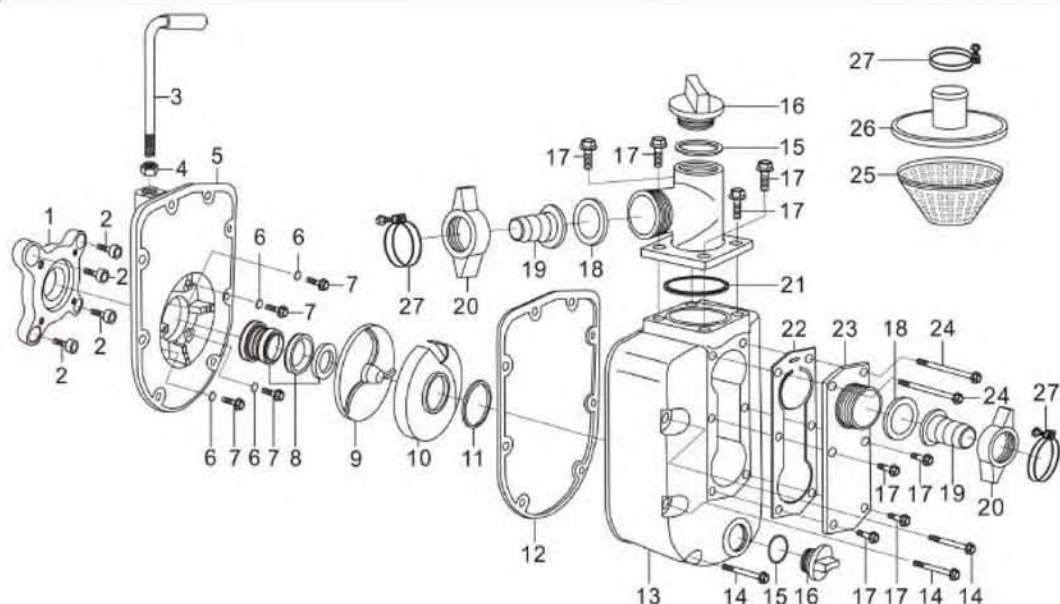
MUFFLER ASSY.

No.	Part No.	Description	(Reqd. No.)
1	SA0610-0000000DL	BOLT M6×10	5
2	102208-142000	SHROUD COMP	1
3	324311-142000	SWITCH ASSY., ENGINE STOP	1
4	112210-142000	COVER COMP., FAN	1
5	307071-142000	TIE, CABLE	1



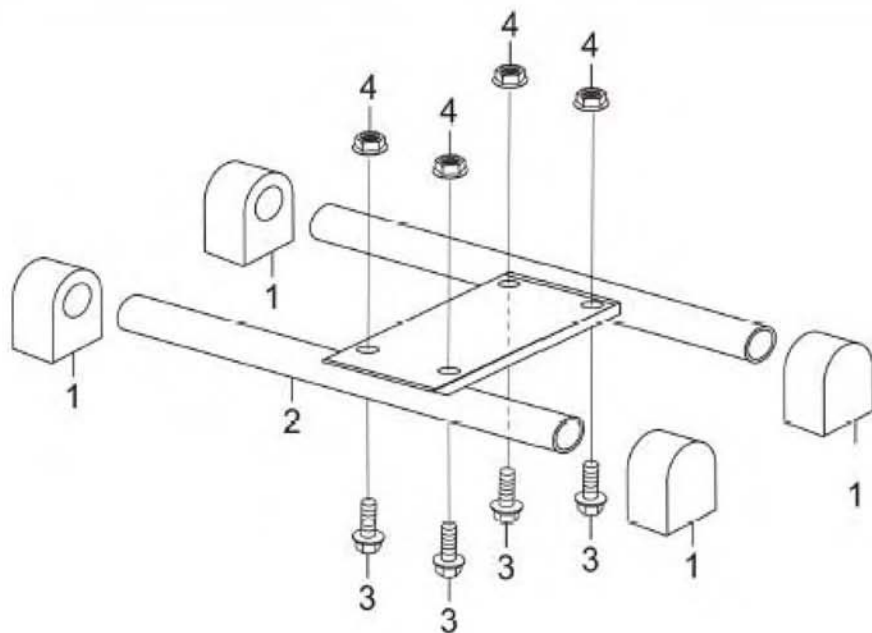
### STARTER SUBASSEMBLY

No.	Part No.	Description	(Reqd. No.)
1	109407-142000	KNOB, RECOIL STARTER	1
2	109417-142000	COVER, REEL, STARTER	1
3	109404-142000	SPRING, RECOIL STARTER	1
4	109403-142000	ROPE	1
5	109402-142000	REEL, RECOIL STARTER	1
6	109416-142000	SPRING, RETURN	5
7	109405-142000	RATCHER, STARTER	1
8	109414-142000	SPRING, FRICTION	1
9	109406-142000	GUIDE, RATCHET	1
10	109413-142000	SCREW, SETTING	1
11	SA0608-0000000DL	BOLT M6×8	3
12	109400-142000	STARTER SUBASSEMBLY	1



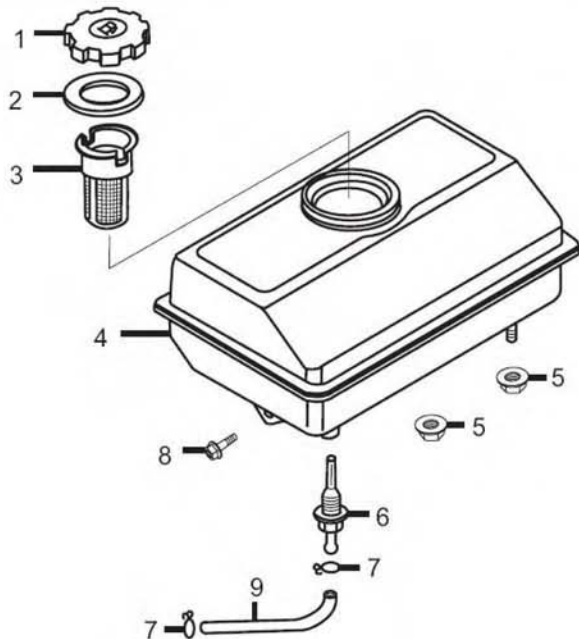
TANK COMP., FUEL

No.	Part No.	Description	(Reqd. No. )
1	E70126-320000	FLANGE, PUMP	1
2	D00816-0000000CZ	BOLT , 8×16	4
3	E70147-320000		1
4	M11200-0000000DL	NUT, 12	1
5	E70111-320000	PUMP COVER	1
6	E70123-W000030	WASHER 6.5×11×2	4
7	SA0620-0000000DL	BOLT , 6×20	4
8	E70140-320000	MACHINERY SEAL	1
9	E70112-320000	WATER PUMP IMPELLER	1
10	E70113-320000	VOLUTE CASING	1
11	T51000-W000170	O-RING 44/51	1
12	E70148-320000		1
13	E70114-320000	HOUSING OF PUMP	1
14	SA0608-0000000DL	BOLT , 8×60	1
15	T51000-W000180	O-RING 30/38	1
16	E70116-320000	PLUG	1
17	SA0616-0000000DL	BOLT , 8×16	1
18	E70139-320000	32/45/3	1
19	E70119-320000	LINKER , TUBE	2
20	E70120-320000	TIE-IN , TUBE	3
21	E70117-320000	FLANGE , OUTPUT	1
22	E70125-320000	CHECK VALVE	1
23	E70115-320000	FLANGE , ENDURE PRESS	1
24	SA0685-0000000DL	BOLT , 6×85	2
25	E70122-320000	FILTER	1
26	E70121-320000	COVER FILTER	1
27	E70150-320000	LOOP, TUBE	3
28	E70117-320000	FLANGE , OUTPUT	1



TANK COMP., FUEL

No.	Part No.	Description	(Reqd. No.)
1	E50160-320000	RUBBER, SHOCK ABSORBER	4
2	E50100-320000	FRAME	1
3	SA0816-0000000DL	BOLT, M8×16	4
4	M80800-0000000DL	NUT, M8	4



TANK COMP., FUEL

			Description	(Reqd. No.)
No.	Part No.			
1	804000-142000		CAP COMP., FUEL FILLER	1
2	804001-142000		PACKING, FUEL FILLER CAP	1
3	E40201-142000		FILTER, FUEL	1
4	801000-142000		TANK COMP., FUEL	1
5	M10600-0000000DL		NUT M6	2
6	801600-142000		JOINT ASSY., FUEL TANK	1
7	E40211-142000		CLIP, TUBE	2
8	SA0608-0000000DL		BOLT, STUD M6×8	1
9	801086-T000100		TUBE, FUEL4×8×55	1