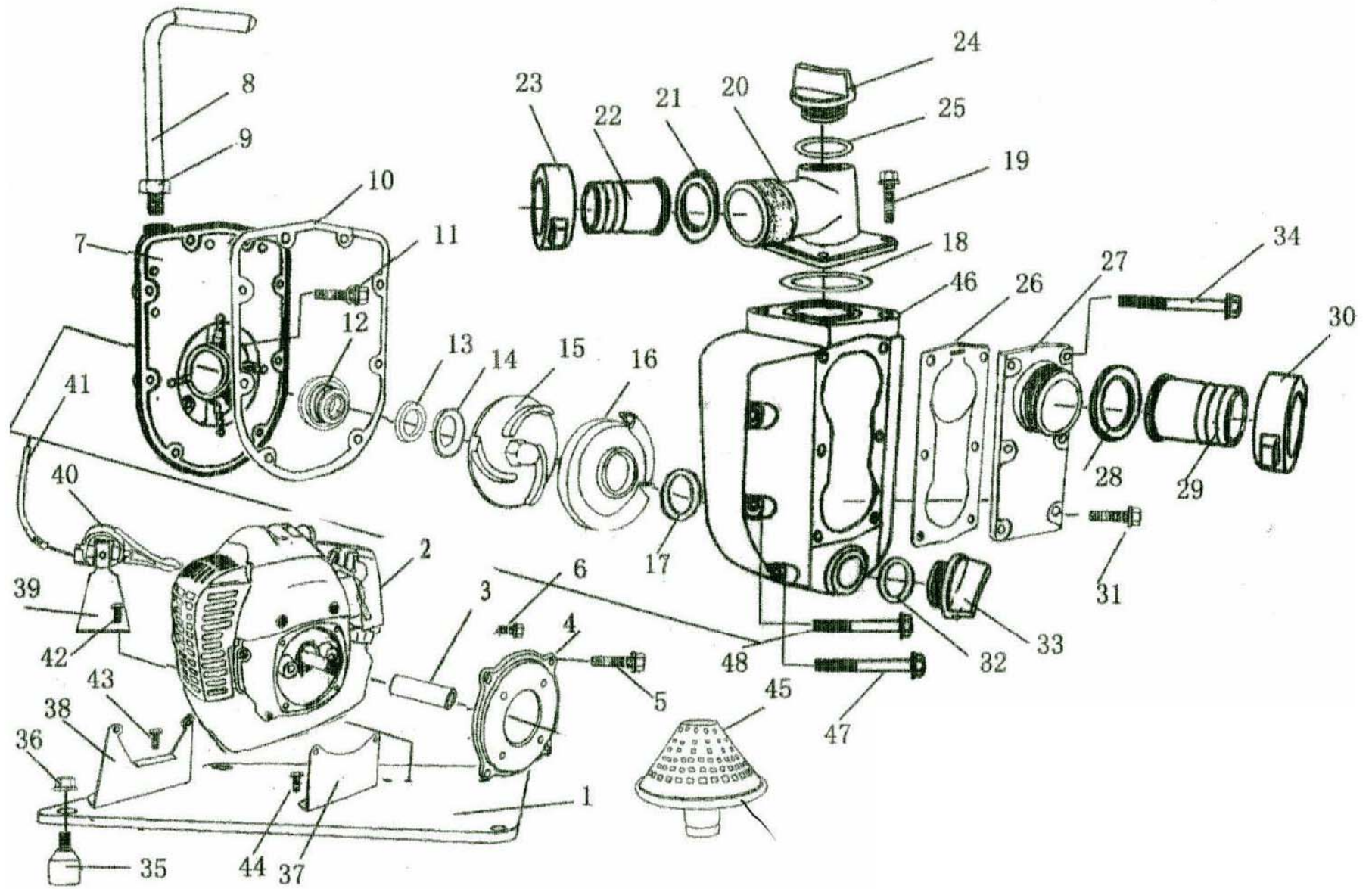


RECHANGE POUR POMPE MF21

No	Name	Specification	Num
1	pump base		1
2	engine (1E43F)	2-stroke	1
3	shaft sleeve		1
4	connection flange		1
5	connection flange fixed screw M6×15	GB5787-86	4
6	output axis fixed screw M8×15	GB5787-86	2
7	pump base		1
8	handler		1
9	handler fixed screw M11		1
10	pump body washer		1
11	pump body fixed screw M6×15	GB5787-86	4
12	water seal base		1
13	water seal endurance washer		1
14	water seal washer		1
15	impeller		1
16	turbo		1
17	turbo seal washer		1
18	water outlet coupling gasket		1
19	water outlet fixed screw M6×15	GB5787-86	4
20	water outlet joint		1
21	water outlet seal washer		1
22	water outlet joint		1
23	water outlet joint fixed nut		1
24	filling opening cover		1
25	filling opening cover washer		1
26	water inlet cover washer		1
27	water inlet cover		1
28	water inlet coupling gasket		1
29	water inlet joint		1
30	water inlet joint fixed nut		1
31	water inlet cover fixed screw M6×50	GB5787-86	4
32	water outlet seal washer		1
33	water outlet cover		1
34	water inlet cover fixed screw M6×85	GB5787-86	2
35	rubber shockproof mount		4
36	fixed nut M8	GB6187-85	4
37	pump fixed support		1
38	engine fixed support		1
39	handle throttle switch support		1
40	handle throttle switch		1
41	handle throttle bracing rope		1
42	fixed support screw M6×15	GB5783-86	2
43	fixed support screw M8×15	GB5783-86	2
44	fixed support screw M8×15	GB5783-86	2
45	filter casing		1
46	pump body		1
47	water inlet cover fixed screw M6×65	GB5787-86	2
48	pump body fixed screw M6×50	GB5787-86	6

CODIGO FAMOSA = MF21-"NO"
EJEMPLO: PUMP BODY = MF21-46



RECHANGE POUR MOTEUR MF21

No.	Part No.	Description	Qty.
1	E34001	Press plate	1
2	E34002	Cylinder protector	1
3	E34003	Cylinder	1
4	E34004	Cylindr gasket	1
5	E34005	Screw M5x20	4
6	E34006	Carburetor connector gasket	1
7	E34007	Carburetor connector	1
8	E34008	Screw M5x25	2
9	E34009	Carburetor gasket	1
10	E34010	Carburetor	1
11	E34011	Choke lever	1
12	E34012	Bush	1
13	E34013	Nut M4	1
14	E34014	Air filter seat	1
15	E34015	Choke	1
16	E34016	Tapping screw ST4.2x13-F-H	1
17	E34017	Carburetor M5x50	2
18	E34018	Air filter element	1
19	E34019	Air filter cover	1
20	E34020	Screw	1
21	E34021	Muffler gasket	1
22	E34022	Heat insulator	1
23	E34023	Muffler	1
24	E34024	Protecting plate	1
25	E34025	Screw M5x14	3
26	E34026	Screw M5x60	2
27	E34027	Ignition wire	1
28	E34028	Rubber block	1
29	E34029	Screw M5x12	4
31	E34031	Dowel pin	2
32	E34032	Spark plug	1
33	E34033	Spark plug cap assembly	1
34	E34034	Spark plug cap	1
35	E34035	Spark plug clip	1
36	E34036	Screw M5x20	2
37	E34037	Rubber clip	1
38	E34038	T C I	1
39	E34039	Screw M5x20	4
40	E34040	Flywheel cover	1
41	E34041	Wind guide	1
42	E34042	Clutch screw	2
43	E34043	Spring washer	2
44	E34044	Clutch	2

45	E34045	Spring	1
46	E34046	Flat washer	2
47	E34047	Flywheel nut	1
48	E34048	Taper washer	1
49	E34049	Flywheel	1
50	E34050	Protector	1
51	E34051	Oil seal	1
52	E34052	Crankcase(A)	1
53	E34053	Dowel pin ϕ 3x8	2
54	E34054	Crankcase gasket	1
55	E34055	Bearing clip	1
56	E34056	Flywheel key	1
57	E34057	Piston ring	2
58	E34058	Piston	1
59	E34059	Needle bearing	1
60	E34060	Piston pin	1
61	E34061	Bearing bush	2
62	E34062	Piston pin clip	2
63	E34063	Ball bearing	2
64	E34064	Crankshaft and connecting rod assembly	1
65	E34065	Crankcase(B)	1
66	E34066	Oil seal	1
67	E34067	Screw M5x30	4
68	E34068	Bush	1
69	E34069	Starting pawl	1
70	E34070	Recoil starter	1
71	E34071	Push plate	1
72	E34072	Rope handle	1
73	E34073	Rope	1
74	E34074	Screw	1
75	E34075	Plastic push plate	1
76	E34076	Return spring	1
77	E34077	Reel	1
78	E34078	Spiral spring	1
79	E34079	Starter cover	1
80	E34080	Sticker	1
81	E34081	Screw M6x16	4
82	E34082	Fuel hose	1
83	E34083	Fuel back hose	1
84	E34084	Fuel seal	1
85	E34085	Hose clip	1
86	E34086	Fuel filter	1
87	E34087	Fuel tank cap assembly	1
88	E34088	Fuel tank cap	1
89	E34089	Cap filter	1
90	E34090	Vent plug	1
91	E34091	Seal seat	1

92	E34092	Cap seal	1
93	E34093	Small cap	1
94	E34094	Fuel tank	1
95	E34095	Copper washer	4
96	E34096	Screw M5x22	4

