

GLENDALE

DIESEL ENGINE

PARTS CATALOG

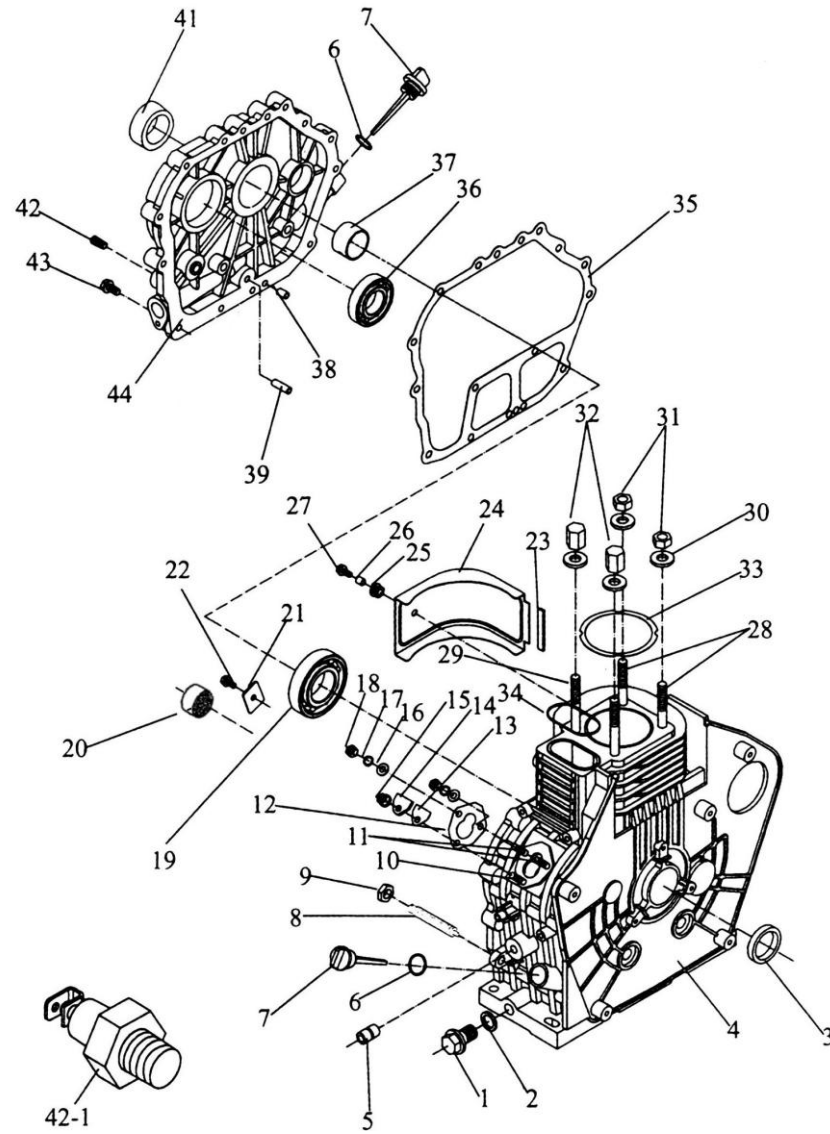
Model: GE178D/DE

Whally Min TAIWAN

CONTENTS

	page
1. Cylinder Block.....	3,4
2. Cylinder Head.....	5,6
3. Cylinder Head Bonnet	7
4. Piston & Connecting Rod.....	8,9
5. Crankshaft & Flywheel	10,11
6. Camshaft.....	12
7. Air Intake & Air Cleaner for generator and water pump use.....	13
8. Air Intake & Air Cleaner for engine and tiller use.....	14
9. Silencer.....	15
10. Lube Oil System.....	16
11. Fuel Tank & Fuel Pipe.....	17,18
12. Governor & Control System.....	19,20
13. Fuel Injection Pump.....	21
14. Fuel Nozzle.....	22
15. Recoil Starter.....	23
16. Cooling Fan Case.....	24
17. Starter Motor.....	25
18. Flywheel Alternator.....	26

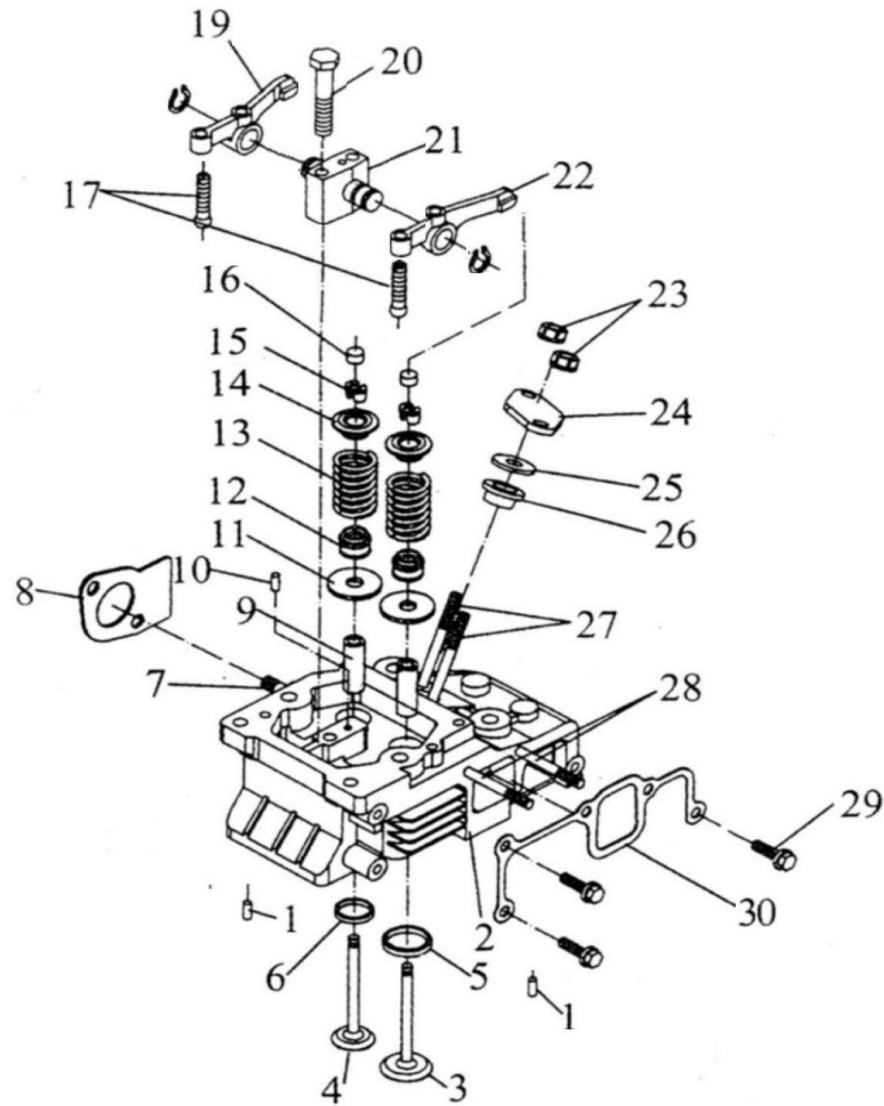
Cylinder Block



Cylinder Block

Ref. No	Parts No	Parts Name	Q'ty	Remarks	Ref. No	Parts No	Parts Name	Q'ty	Remarks
1	12.020.002.0001	Drain plug	1		24	11.010.013.7201	Wind board	1	
2	11.005.035.7001	Oil plug seal assy	1		25	11.010.015.7001	Vibration isolation cushion block	1	
3	12.016.002.0750	Oil seal sg30x45x8	1		26	11.010.016.7201	Sleeve	1	
4	11.005.022.7201/2	Cylinder block (1-recoil 2-electric)	1		27	12.002.013.0171	GB/T5789 Bolt M6x20	1	
5	12.009.002.0400	Needle bearing HK081410	2		28	11.003.020.0101	Cylinder head stud M9x87	2	
6	12.008.001.0400	O-ring 24x2.4	2		29	11.003.020.0001	Cylinder head stud M9x104.5	2	
7	11.005.009.7201	Oil dipstick	2		30	11.003.021.0001	Washer	4	
8,9	11.012.022.7201	Fuel controller unit	1		31	11.003.019.0001	Cylinder head nut (short)	2	
10	12.004.004.0040	Stud AM6x30	1		32	11.003.019.0002	Cylinder head nut (long)	2	
11	12.004.004.0050	Stud AM6x40	2		33	11.003.010.7200	Cylinder head shim	1	
12	11.009.009.7200	Fuel injection pump adjusting gasket	as	needed	34	11.003.008.7201	Cylinder head ring	1	
13	11.009.011.7201	Seal gasket	1		35	11.005.019.7201	Crankcase gasket	1	
14	11.009.010.7201	Seal plate	1		36	12.009.001.0200	Ball bearing 6206/P5	1	
15	12.001.005.0023	Nut M6	3		37	11.005.031.7201	Main bearing	1	
16	12.006.014.0090	Washer 6	2		38	12.019.001.0100	Pin 8x12	2	
17	12.006.008.0022	Spring washer 6	2		39	11.011.007.7201	Oil Indicator	1	
19	12.009.001.0290	Ball bearing 6307/P5	1		41	12.016.002.0751	Oil seal sg30x45x10	1	
20	12.009.002.0500	Needle bearing HM1512	1		42	12.015.012.0001	Plug	1	
21	11.005.023.7201	Retainer	1		42-1	11.011.006.7001	Oil pressure sensor	1	
22	12.002.013.0481	GB/T5789 Bolt M8x16	1		43	12.002.013.0520	GB/T5789 Bolt M8x33.5	15	
23	11.010.014.7201	Cushion blocking	1		44	11.005.018.7201	Crankcase cover	1	

Cylinder Head



Cylinder Head

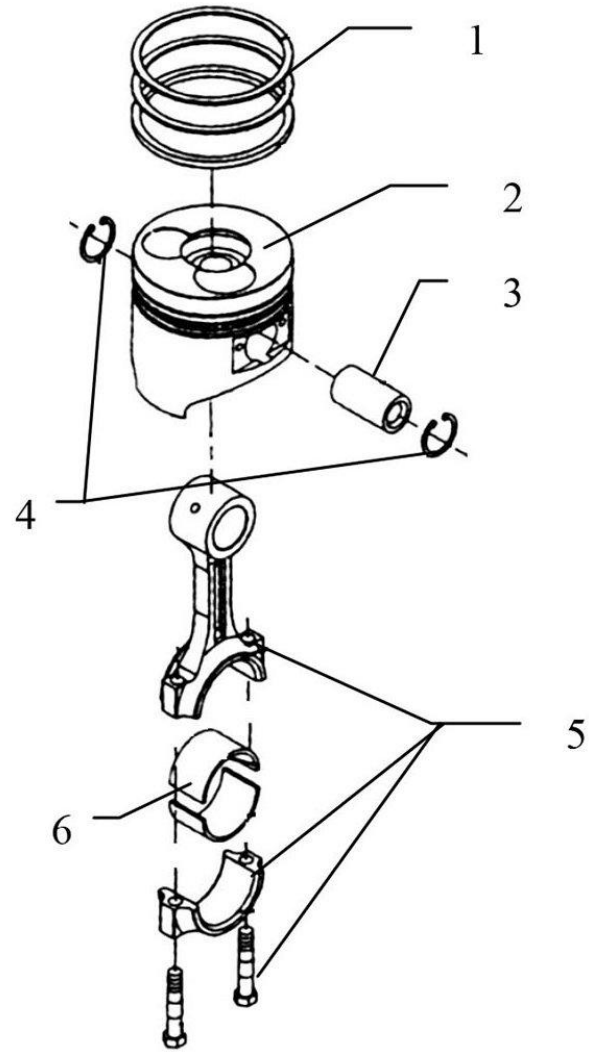
Ref. No	Parts No	Parts Name	Q'ty	Remarks	Ref. No	Parts No	Parts Name	Q'ty	Remarks
1	11.001.007.7201	Air intake gasket	1		15	11.004.012.7201	Valve spring seat	2	
2,5,6,10	11.003.009.7202	Cylinder head	1		16	11.004.014.7201	Cotter	4	
3	11.004.002.7201	Intake valve	1		17	11.004.013.7201	Valve adjusting plate	2	
4	11.004.004.7201	Exhaust valve	1		18,19,20,22,23		Rocker arm assy	1	
7	12.004.003.0030	GB/T899 Stud AM8x32	2		21	12.002.013.0581	Bolt M8x45	1	
8	11.002.004.7001	Silencer gasket	1		24	12.001.005.0023	Nut M6	2	
9	12.004.004.0080	GB/T900 Stud AM6x72	2		25	11.009.014.7001	Injector plate	1	
11	12.019.001.0020	Pin 4x8	1		26	11.009.013.7200	Spacer washer	as	needed
12	11.004.010.7201	Valve spring washer	2		27	11.003.003.7001	Insulation sleeve	1	
13	11.004.001.7201	Valve conduit oil seal	2		28	12.004.004.0060	Stud AM6x60	2	
14	11.004.009.7201	Spring retainer	2		29	12.002.013.0191	Bolt M6x25	2	

Cylinder Head Bonnet



Ref. No	Parts No	Parts Name	Q'ty	Remarks
1	11.003.012.7001	Bonnet gasket	1	
2	12.002.013.0300	Bolt M6x55	2	
3	11.003.011.7002	Bonnet assy	1	

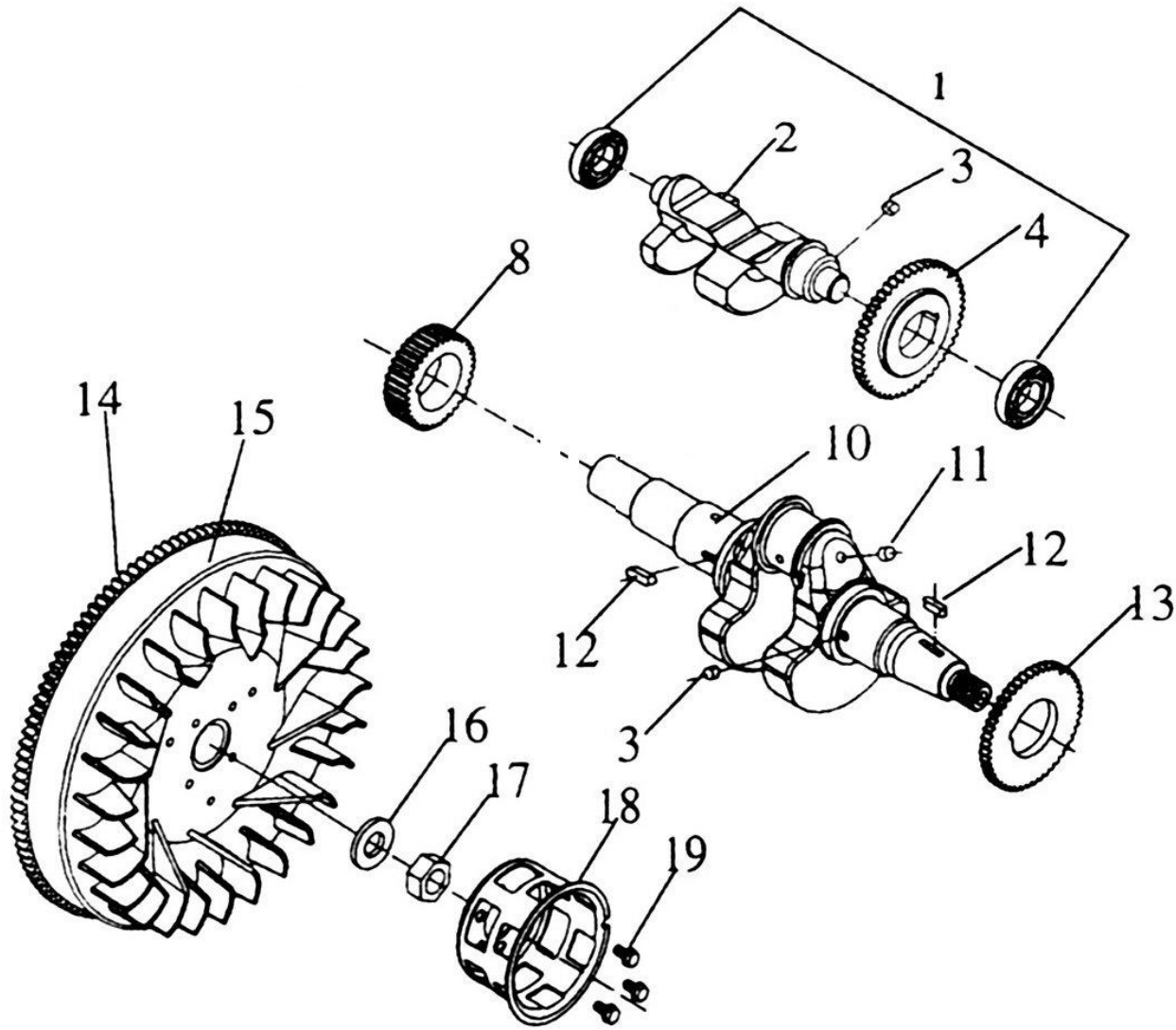
Piston & Connecting Rod



Piston & Connecting Rod

Ref. No	Parts No	Parts Name	Q'ty	Remarks
1	11.006.004.7501	Piston ring set	1	
2	11.006.003.7201	Piston	1	
3	11.006.005.7201	Piston pin	1	
4	11.006.006.0301	Washer 21	2	
5	11.006.007.7201	Connecting rod assy	1	
6	11.006.008.7202	Crank pin bearing	2	

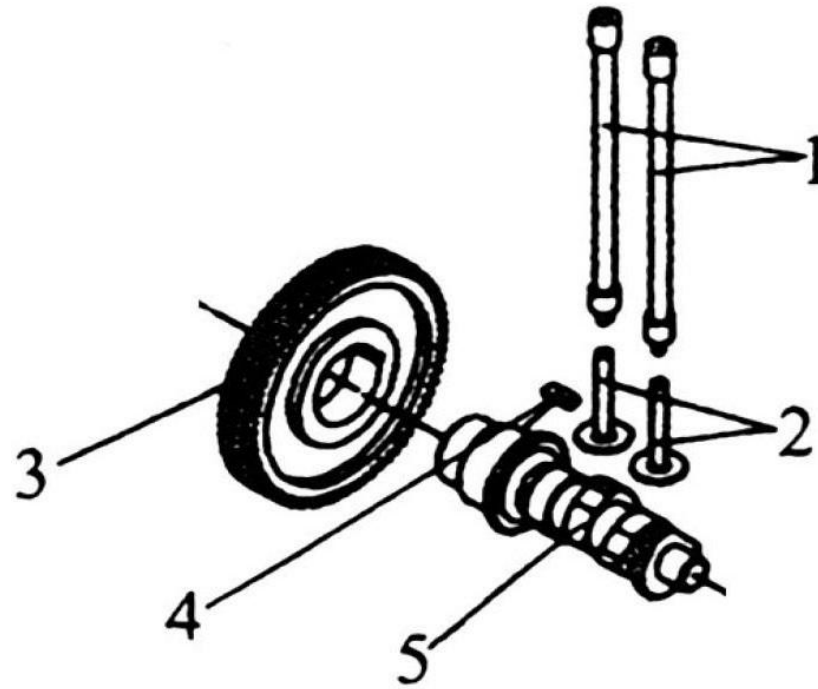
Crankshaft & Flywheel



Crankshaft & Flywheel

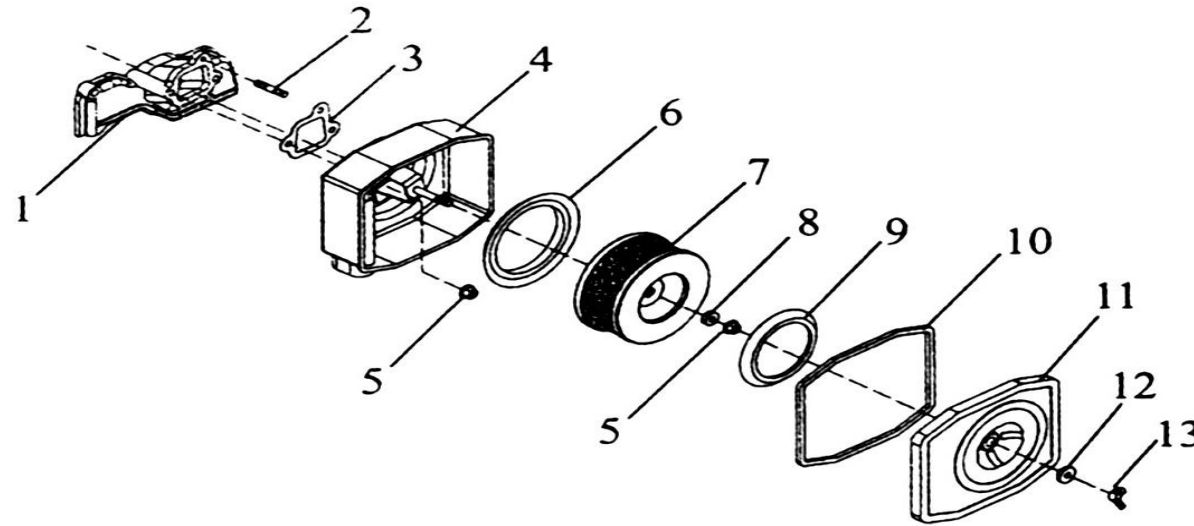
Ref. No	Parts No	Parts Name	Q'ty	Remarks
1	12.009.001.0131	Ball bearing 6202/P5	2	
2	11.004.007.7201	Balance shaft	1	
3	12.014.002.0120	Key 5x7	2	
4	11.006.012.7201	Timing gear of balance shaft	1	
8	11.006.015.7201	Crankshaft timing gear	1	
10	11.006.013.7209	Crankshaft	1	
11	12.010.001.0020	Steel ball	1	
12	12.014.002.0120	Key 5x12	2	
13	11.006.011.7201	Drive gear of balance shaft	1	
14	11.007.004.7202	Flywheel ring gear	2	
15	11.008.007.7202	Flywheel	1	
16	12.015.027.0009	Flywheel nut washer	1	
17	12.001.005.0092	Flywheel nut M18x1.5	1	
18	11.007.006.7201	Starter pulley	1	
19	12.002.013.0143	Bolt M6x12	3	

Camshaft



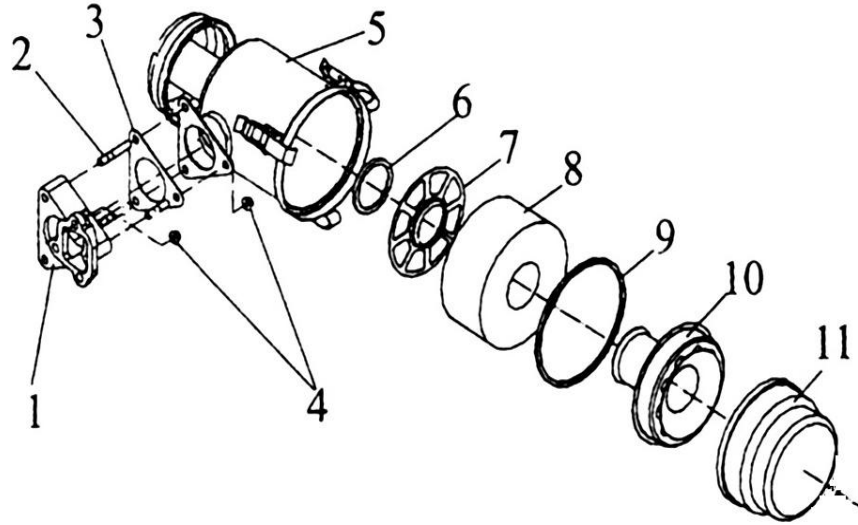
Ref. No	Parts No	Parts Name	Q'ty	Remarks
1	11.004.021.7202	Valve rod assy	2	
2	11.004.015.7201	Valve tappet	2	
3	11.004.018.7201	Camshaft timing gear	1	
4	12.014.002.0010	Key 5x14	1	
5	11.004.020.7201	Camshaft	1	

Air Intake & Air Cleaner – for generator and water pump use



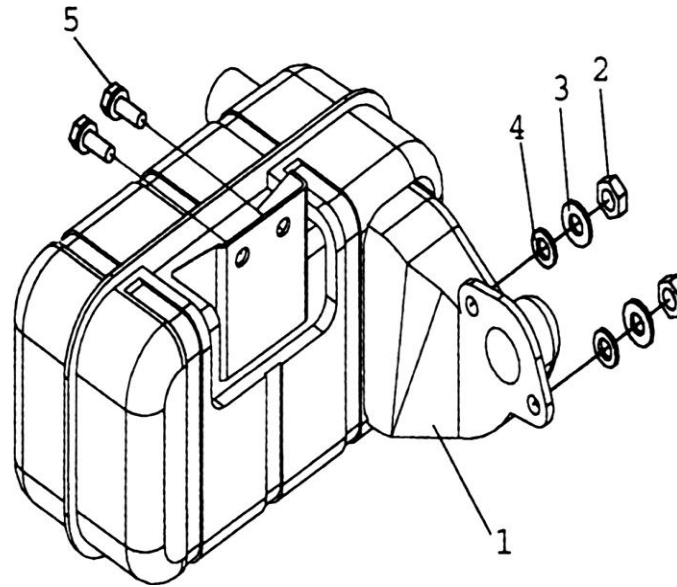
Ref. No	Parts No	Parts Name	Q'ty	Remarks	Ref. No	Parts No	Parts Name	Q'ty	Remarks
1	11.001.007.7201	Intake pipe	1		4	11.001.016.7001	Air cleaner case	1	
2	12.002.013.0143	Nut M6x12	1		6		Shock absorber washer II	1	
3	11.001.012.7001	Air clearance gasket	1		7		Air cleaner element assy	1	
5	12.001.005.0023	Flange nut M6	2		8		Element shock absorber	1	
					9		Shock absorber washer I	1	
					10		Case ring	1	
					11		Cover assy	1	
					12		Case shock absorber	1	
					13		Nut M6	1	

Air Intake & Air Cleaner – for engine and tiller use



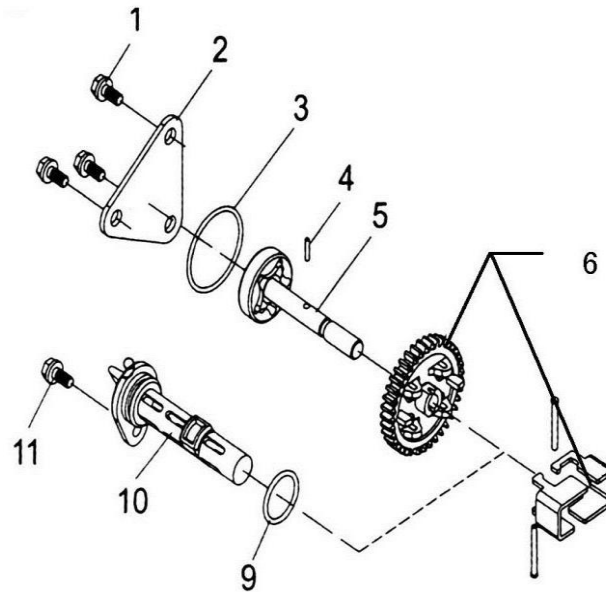
Ref. No	Parts No	Parts Name	Q'ty	Remarks	Ref. No	Parts No	Parts Name	Q'ty	Remarks
1	11.001.006.7202	Intake pipe	1		5	11.001.016.7002	Air filter connecting disc	1	
2	12.002.013.0143	Nut M6x12	3		6		Tightening bolt of air cleaner	1	
3	11.001.012.7001	Air clearance gasket	1		7		Washer I	1	
					8		Air filter case	1	
					9		O-ring	1	
					10		Air cleaner element assy	1	
					11		Air filter sump	1	

Silencer



Ref. No	Parts No	Parts Name	Q'ty	Remarks
1	11.002.011.7202	Silencer assy	1	
2	12.001.001.0024	Nut M8	2	
3	12.006.008.0032	Spring washer 6	2	
4	12.006.014.0180	Washer 8	2	
5	12.002.013.0151	Bolt M6x14	2	

Lube Oil System

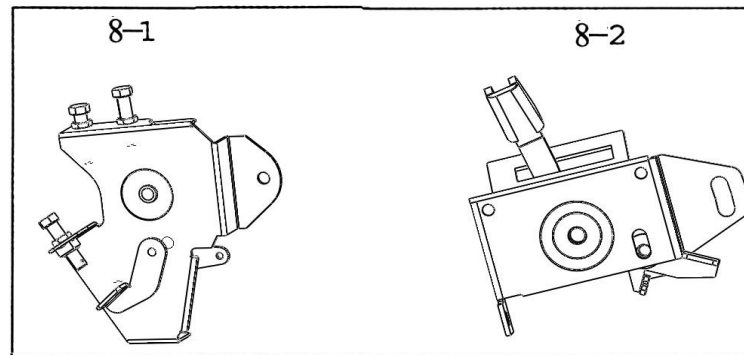
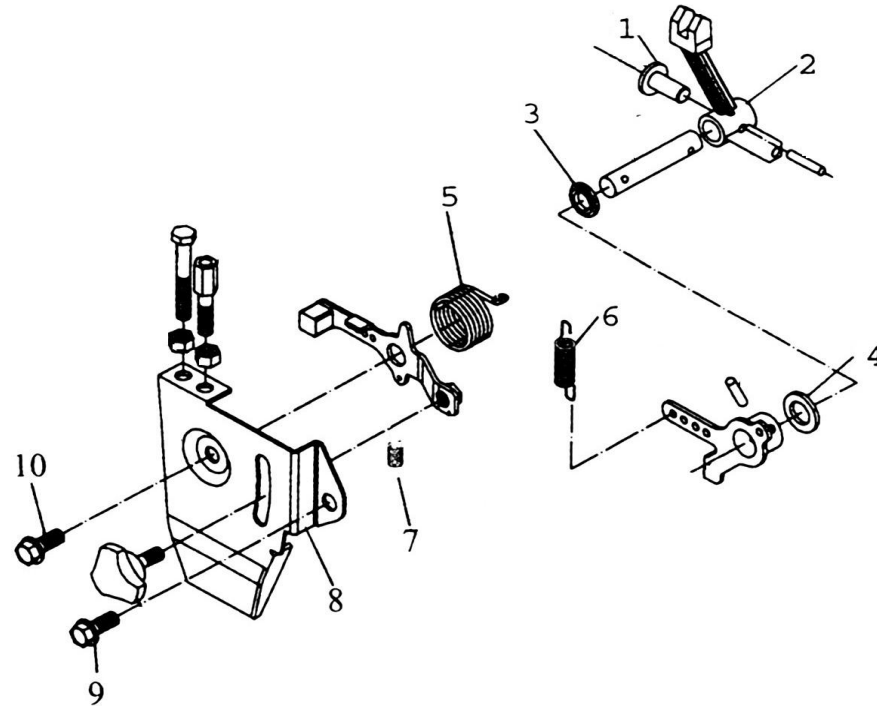


Ref. No	Parts No	Parts Name	Q'ty	Remarks
1	12.002.013.0143	Bolt M6x12	3	
2	11.011.002.7201	Oil pump cover	1	
3	12.008.001.0430	O-ring	1	
4	12.019.001.0010	Pin 3x16	1	
5	11.011.001.7201	Oil pump assy	1	
6	11.012.009.7201	Oil pump driving gear	1	
9	12.008.001.0400	O-Ring	1	
10	11.011.004.7201	Oil filter assy	1	
11	12.002.013.0151	Bolt M6x14	1	

Fuel Tank & Fuel Pipe

Ref. No	Parts No	Parts Name	Q'ty	Remarks
1	12.002.013.0581	Bolt M8x45	1	
2	11.009.037.0001	Bolt, upper stay	1	
3	12.006.014.0180	Washer 8	1	
4	11.009.032.7201	Upper stay	1	
5	11.009.029.7201	Damper	4	
6	11.009.007.7201	Fuel return pipe assy	1	
8	12.015.027.0011	Drain plug gasket	1	
9	12.020.001.0001	Drain plug bolt	1	
10	11.009.033.7201	Lower stay assy	1	
11	12.002.013.0151	Bolt M6x14	2	
12	12.001.005.0023	Nut 6	2	
13	11.009.031.7201	Fuel cock assy	1	
14	12.008.001.0220	O-ring 13.2x1.8	1	
15	11.009.021.0001	Fuel pipe assy	1	
17	11.009.002.7201	Fuel filter gasket	1	
18	11.009.003.7201	Fuel element assy	1	
19	11.009.004.7201	Fuel injection pipe assy	1	
20	11.009.034.7201	Fuel tank assy	1	
21	11.009.034.9006	Fuel tank cap assy	1	
22		Fuel filter	1	

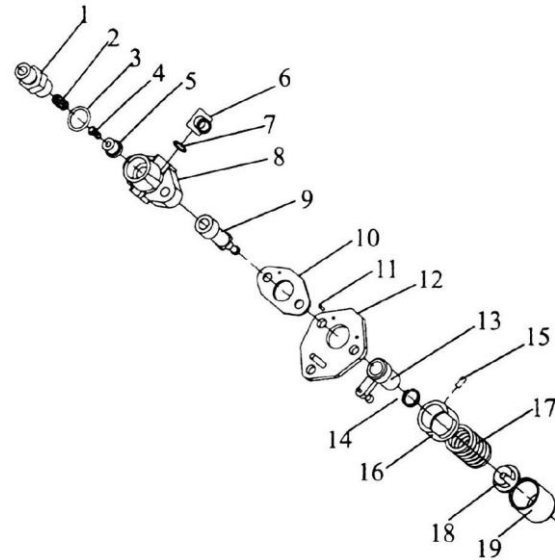
Governor & Control System



Governor & Control System

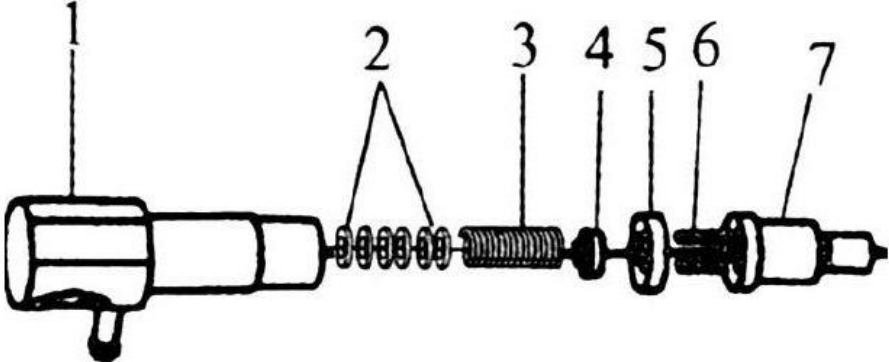
Ref. No	Parts No	Parts Name	Q'ty	Remarks
1	11.012.012.7201	Tappet 25.5	1	
2	11.012.001.7201	Lever fork	1	
3	12.016.002.0050	Oil seal	1	
4	11.012.025.7001	Lever washer	2	
5	11.012.016.7201	Return spring	1	
6	11.012.010.7202	Governor spring	1	
7	11.012.020.7201	Fine-tune spring	1	
8	11.012.006.7202	Control lever assy (for engine and water pump use)	1	
8-1	11.012.006.7204	Control lever assy (for tiller use)	1	
8-2	11.012.006.7203	Control lever assy (for generator use)	1	
9	12.002.013.0143	Nut M6x12	1	
10	12.002.013.0191	Nut M6x25	1	

Fuel Injection Pump 11.009.008.7202



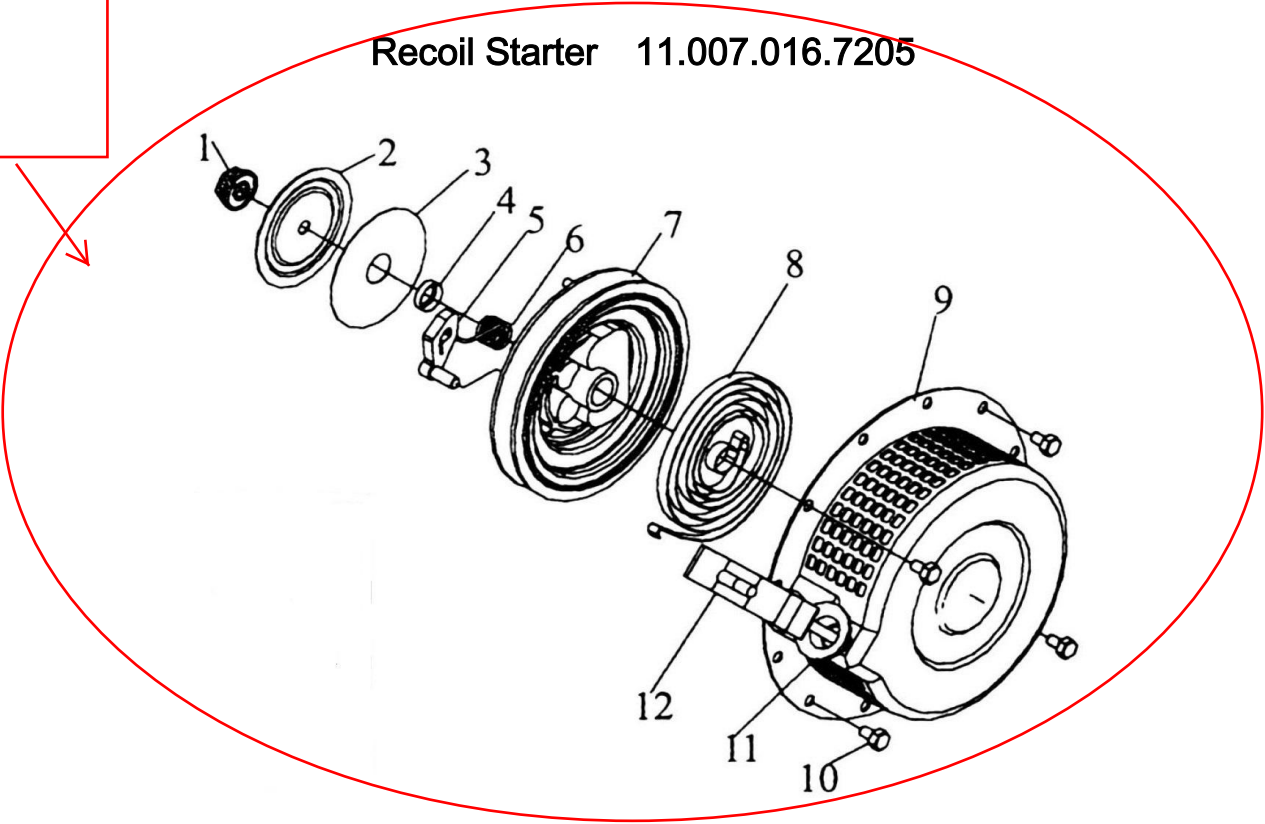
Ref. No	Parts No	Parts Name	Q'ty	Remarks	Ref. No	Parts No	Parts Name	Q'ty	Remarks
1	11.009.008.9004	Fuel delivery valve holder	1		11	11.009.008.9013	Pin	2	
2	11.009.008.9005	Fuel delivery valve spring	1		12	11.009.008.9014	Connecting plate	1	
3	11.009.008.9006	Fuel delivery valve gasket	1		13	11.009.008.9016	Control lever welded assy	1	
4	11.009.008.9007	Fuel delivery valve core	1		14	11.009.008.9017	Clip	1	
5	11.009.008.9008	Fuel delivery valve seat	1		15	11.009.008.9018	Pin	1	
6	11.009.008.9009	Fuel pipe joint	1		16	11.009.008.9019	Support	1	
7	11.009.008.9010	O-ring	1		17	11.009.008.9020	Spring	1	
8	11.009.008.9011	Fuel injection pump body	1		18	11.009.008.9021	Spring holder	1	
9	11.009.008.9001	Plunger	1		19	11.009.008.9022	Tappet	1	
10	11.009.008.9012	Washer	as	needed					

Fuel Nozzle 11.009.012.7201



Ref. No	Parts No	Parts Name	Q'ty	Remarks
1	11.009.012.9003	Fuel injection valve block	1	
2	11.009.012.9004	Washer	1	
3	11.009.012.9005	Volt-adjustment spring	1	
4	11.009.012.9006	Mandrel	1	
5	11.009.012.9007	Intermediate block	1	
6	11.009.012.9008	Locating pin	2	
7	11.009.012.9002	Nozzle	1	

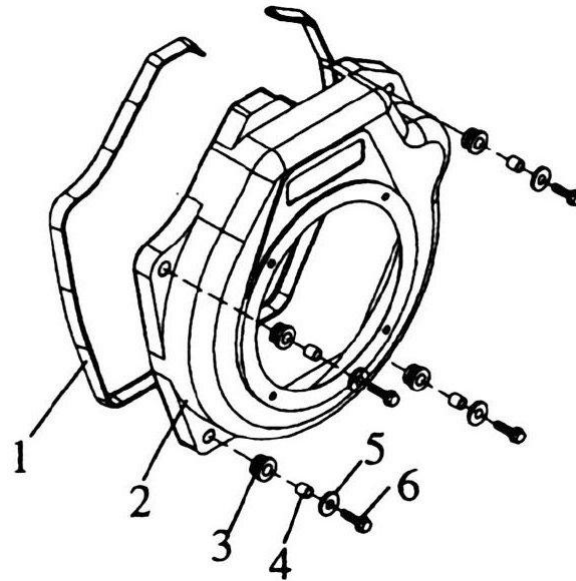
13. ARRANQUE COMPLETO
RECOIL STARTER
11007016ASSY



Ref. No	Parts No	Parts Name	Q'ty	Remarks	Ref. No	Parts No	Parts Name	Q'ty	Remarks
1	11.007.016.9006	Nut M8	1		7	11.007.016.9012	Starter reel	1	
2	11.007.016.9007	Friction reel	1		8	11.007.016.9013	Spiral spring	1	
3	11.007.016.9008	Friction plate	1		9	11.007.016.9014	Outer case assy	1	
4	11.007.016.9009	Spring cover	1		10	12.002.013.0121	Bolt M6x8	4	
5	11.007.016.9010	Ratchet	1		11	11.007.016.9015	Starter rope	1	
6	11.007.016.9011	Return spring	1		12	11.007.016.9016	Starter handle	1	

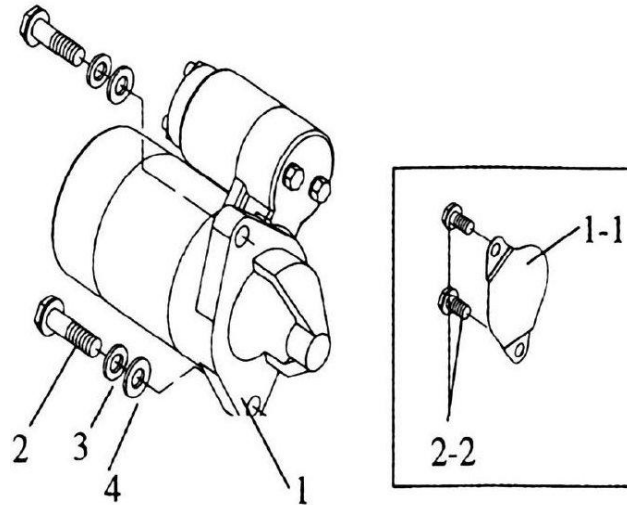
21 13 11.007.016ASSY Recoil starter 1

Cooling Fan Case



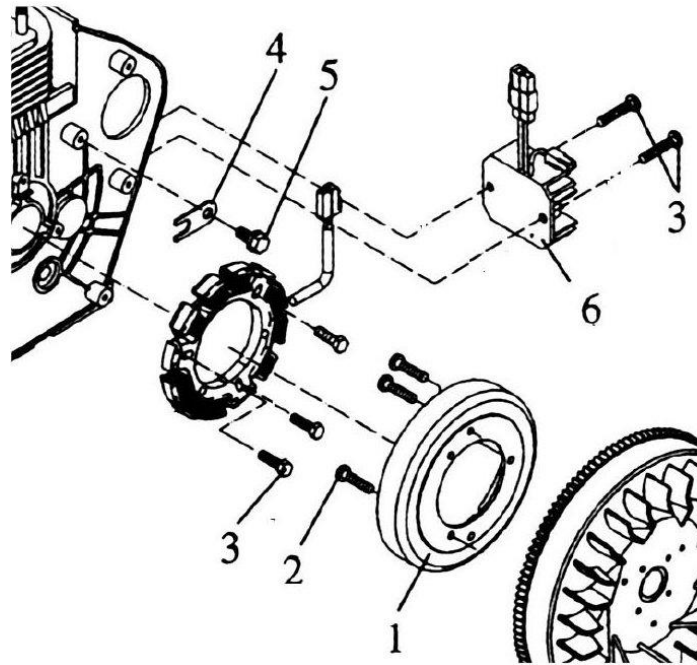
Ref. No	Parts No	Parts Name	Q'ty	Remarks
1	11.010.010.7101	Shock absorber seat	1	
2	11.010.003.7201	Fan case welded assy	1	
3	11.010.011.7001	Shock absorber	5	
4	11.010.004.7201	Collar	5	
5	12.006.012.0020	Washer 6	5	
6	12.002.013.0191	Bolt M6x25	5	

Starter Motor



Ref. No	Parts No	Parts Name	Q'ty	Remarks
1	11.007.013.7201	Flywheel alternator	1	
1-1	11.005.016.7201	Starter seat cover	1	
2	12.002.009.0440	Bolt M10x35	2	
2-2	12.002.009.0396	Bolt M10x20	2	
3	12.006.008.0041	Spring washer 6	2	
4	12.006.014.0200	Washer 10	2	

Flywheel Alternator



Ref. No	Parts No	Parts Name	Q'ty	Remarks
1	11.008.008.7201	Flywheel alternator	1	
2	12.003.010.0020	Screw bolt M6x8	3	
3	12.002.013.0171	Bolt M6x20	5	
4	11.008.012.0001	Plate	1	
5	12.002.013.0143	Bolt M6x12	1	
6	11.008.006.7201	Regulator	1	