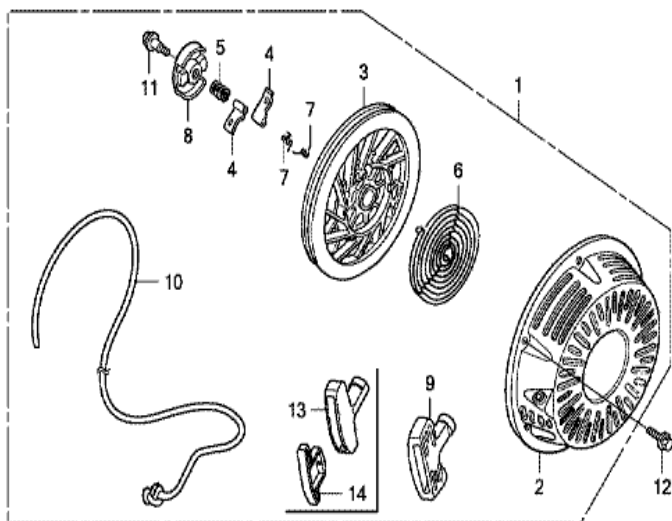


GX270UT2(WKT)

E-11 RECOIL STARTER (1)



ZSKDE1100A

<u>Ref</u>	<u>Partnumber</u>	<u>Description</u>	<u>GX270UT2</u>	<u>Serial Numbers</u>
001	28400-Z5K-305ZA	STARTER ASSY., RECOIL (COO) (FOR U.S.A.)	1	
002	28410-ZE2-W01ZN	CASE COMP., RECOIL STARTER *R280 *	1	
002	28410-ZE2-W01ZN	CASE COMP., RECOIL STARTER *R280 *	1	
003	28421-ZE2-W01	PULLEY, RECOIL STARTER	1	
004	28422-ZE2-W01	RATCHET, STARTER	2	
005	28441-ZE2-W01	SPRING, FRICTION	1	
006	28442-ZE2-W01	SPRING, STARTER RETURN	1	
007	28443-ZE2-W01	SPRING, RATCHET	2	
008	28444-ZE2-W01	RETAINER, SPRING	1	
010	28462-ZE2-W11	ROPE, RECOIL STARTER	1	
011	90004-ZE2-W01	SCREW, CENTER	1	
012	90008-ZE2-003	BOLT, FLANGE, 6X10	3	
013	28461-Z5T-305	GRIP, STARTER (COO) (FOR U.S.A.)	1	
<u>Ref</u>	<u>Partnumber</u>	<u>Description</u>	<u>GX270UT2</u>	<u>Serial Numbers</u>
013	28461-Z5T-305	GRIP, STARTER (COO) (FOR U.S.A.)	1	
014	28463-Z5T-013	GRIP, REINFORCEMENT	1	

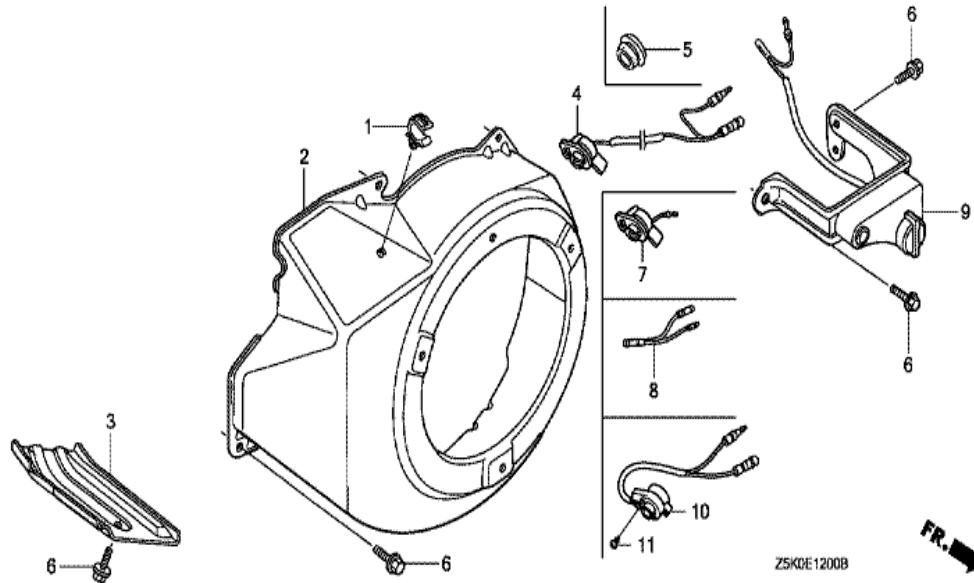
014 28463-Z5T-013

GRIP, REINFORCEMENT

1

GX270UT2(WKT)

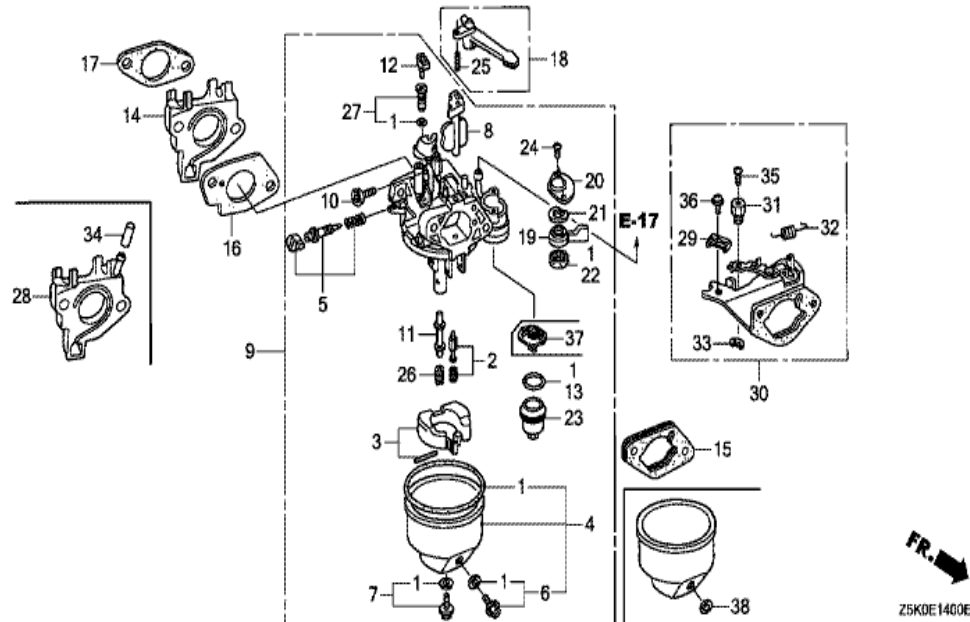
E-12 FAN COVER (1)



<u>Ref</u>	<u>Partnumber</u>	<u>Description</u>	<u>GX270UT2</u>	<u>Serial Numbers</u>
002	19610-Z5K-000ZC	COVER COMP., FAN *R280*	1	
003	19631-Z5K-000	SHROUD	1	
006	90013-883-000	BOLT, FLANGE, 6X12 (CT200)	6	
010	35120-Z5T-003	SWITCH ASSY., ENGINE STOP	1	
011	90004-Z5T-000	SCREW, TAPPING, 3X6 (PO)	2	

GX270UT2(WKT)

E-14 CARBURETOR (1)

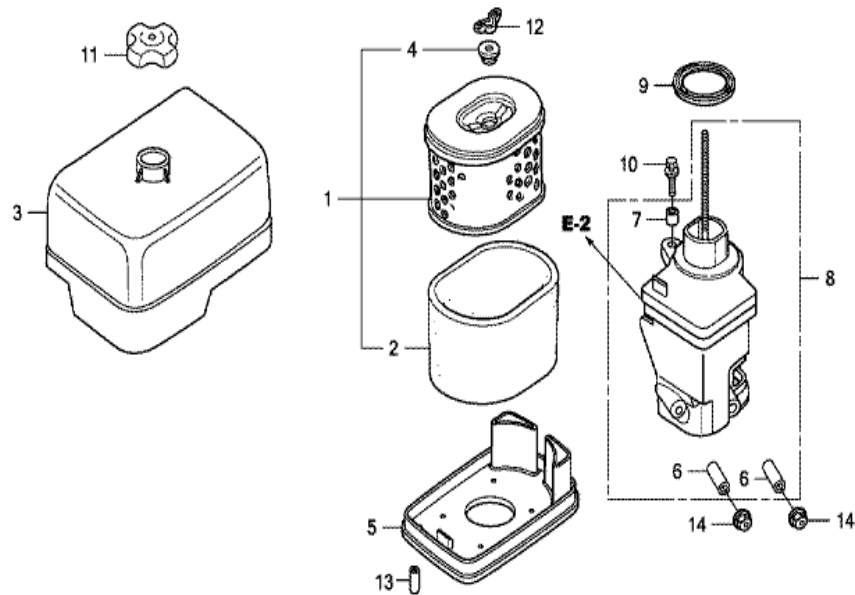


<u>Ref</u>	<u>Partnumber</u>	<u>Description</u>	<u>GX270UT2</u>	<u>Serial Numbers</u>
001	16010-ZE2-812	GASKET SET	1	
002	16011-ZA0-931	VALVE SET, FLOAT	1	
003	16013-Z1C-003	FLOAT SET	1	
004	16015-Z5T-901	CHAMBER SET, FLOAT	1	
005	16016-ZH7-W01	SCREW SET, PILOT	1	
006	16024-Z5T-901	SCREW SET, DRAIN	1	
007	16028-Z5T-901	SCREW SET	1	
008	16044-ZE2-005	CHOKE SET	1	
009	16100-Z5K-Y01	CARBURETOR ASSY. (BE21J A)	1	
010	16124-ZE0-005	SCREW, THROTTLE STOP	1	
011	16166-Z5K-Y01	NOZZLE, MAIN	1	
012	16172-ZE3-W10	COLLAR, SETTING	1	
013	16173-001-004	PACKING, FUEL STRAINER CUP	1	
<u>Ref</u>	<u>Partnumber</u>	<u>Description</u>	<u>GX270UT2</u>	<u>Serial Numbers</u>
014	16211-ZE2-010	INSULATOR, CARBURETOR	1	
015	16220-ZA0-702	SPACER COMP., CARBURETOR	1	

016	16221-Z5K-000	PACKING, CARBURETOR	1
017	16212-Z5K-000	PACKING, INSULATOR	1
018	16610-ZE1-000	LEVER COMP., CHOKE (STD.)	1
019	16953-ZE1-812	LEVER, COCK	1
020	16954-ZE1-812	PLATE, LEVER SETTING	1
021	16956-ZE1-811	SPRING, COCK LEVER	1
022	16957-ZE1-812	PACKING, FUEL COCK	1
023	16967-ZE0-811	CUP, FUEL STRAINER	1
024	93500-030061H	SCREW, PAN, 3X6	2
025	94305-20122	PIN, SPRING, 2X12	1
026	99101-ZH80820	JET, MAIN, #82	(1)
026	99101-ZH80850	JET, MAIN, #85	(1)
026	99101-ZH80850	JET, MAIN, #85	(1)
026	99101-ZH80880	JET, MAIN, #88	1
026	99101-ZH80880	JET, MAIN, #88	1
027	99204-ZE20380	JET SET, PILOT, #38	1
037	16959-Z5T-901	FILTER, CUP	1
038	16141-Z0S-003	WASHER, PLAIN (6.2X10.7 DRAIN)	(1)

GX270UT2(WKT)

E-15-4 AIR CLEANER (5)



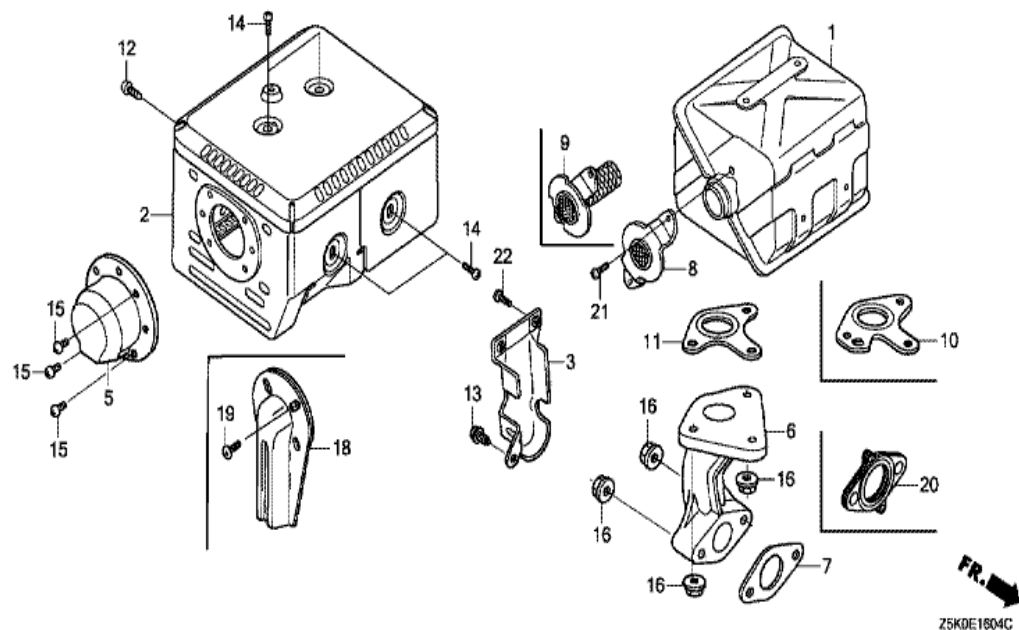
Z5KDE1504



<u>Ref</u>	<u>Partnumber</u>	<u>Description</u>	<u>GX270UT2</u>	<u>Serial Numbers</u>
001	17210-ZE2-822	ELEMENT, AIR CLEANER (DUAL)	1	
002	17218-ZE2-821	FILTER, OUTER	1	
003	17231-Z5K-000	COVER, AIR CLEANER CASE	1	
004	17232-891-000	GROMMET, AIR CLEANER	1	
005	17235-Z5K-000	NOSE, SILENCER	1	
006	17238-ZE2-310	COLLAR, AIR CLEANER	2	
007	17239-ZE1-000	COLLAR B, AIR CLEANER	1	
008	17410-Z5K-010	ELBOW COMP., AIR CLEANER	1	
009	17417-Z5T-000	PACKING, AIR CLEANER CASE	1	
010	90009-Z1C-000	BOLT-WASHER, 6X22	1	
011	90202-Z2E-000	NUT, AIR CLEANER COVER	1	
012	90325-044-000	NUT, TOOL BOX SETTING	1	
014	94050-06000	NUT, FLANGE, 6MM	2	

GX270UT2(WKT)

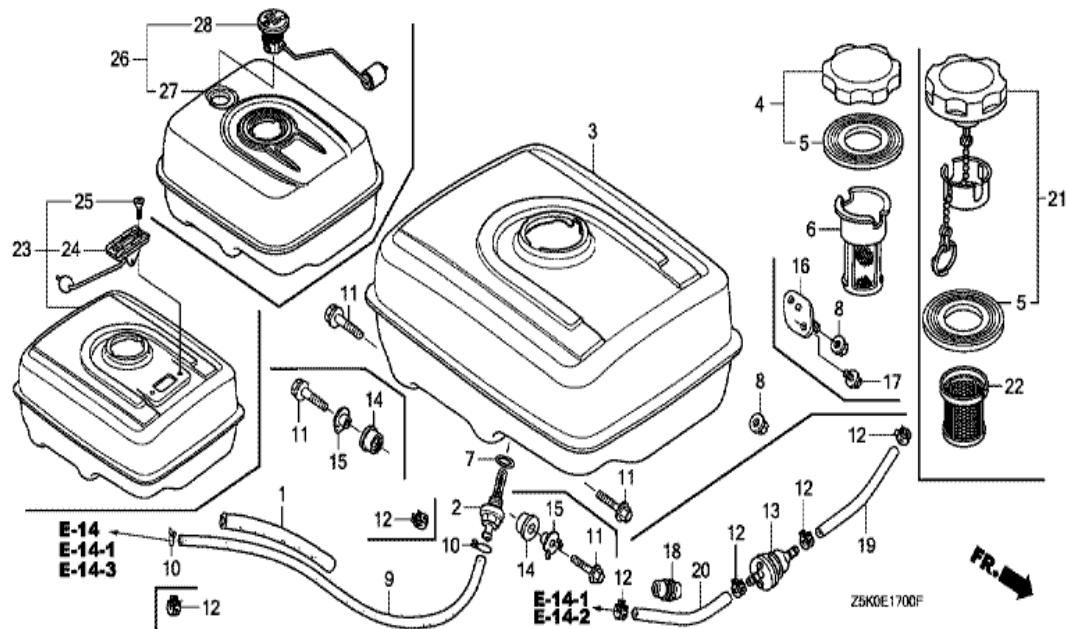
E-16-4 MUFFLER (5)



<u>Ref</u>	<u>Partnumber</u>	<u>Description</u>	<u>GX270UT2</u>	<u>Serial Numbers</u>
001	18310-Z5K-000	MUFFLER COMP.	1	
002	18320-Z5K-000	PROTECTOR COMP., MUFFLER	1	
006	18331-Z5T-000	PIPE, EX.	1	
007	18333-Z1C-801	GASKET, EX. PIPE	1	
008	18336-ZE3-000	FLANGE COMP., BAFFLE	1	
009	18350-Z5T-800	ARRESTER COMP., SPARK	(1)	
010	18381-ZE2-801	GASKET, MUFFLER (NIPPON LEAKLESS)	1	
010	18381-ZE2-W10	GASKET, MUFFLER (ARRESTER) (NIPPON LEAKL	(1)	
011	18381-Z1C-801	GASKET, MUFFLER (THAI LEAKLESS)	1	
012	90006-ZE2-000	SCREW, TAPPING, 6X10	1	
014	90050-ZE1-000	SCREW, TAPPING, 5X8	4	
014	90050-ZE1-000	SCREW, TAPPING, 5X8	4	
016	94050-08000	NUT, FLANGE, 8MM	5	
<u>Ref</u>	<u>Partnumber</u>	<u>Description</u>	<u>GX270UT2</u>	<u>Serial Numbers</u>
021	90050-ZE1-000	SCREW, TAPPING, 5X8	2	
021	90050-ZE1-000	SCREW, TAPPING, 5X8	(2)	

GX270UT2(WKT)

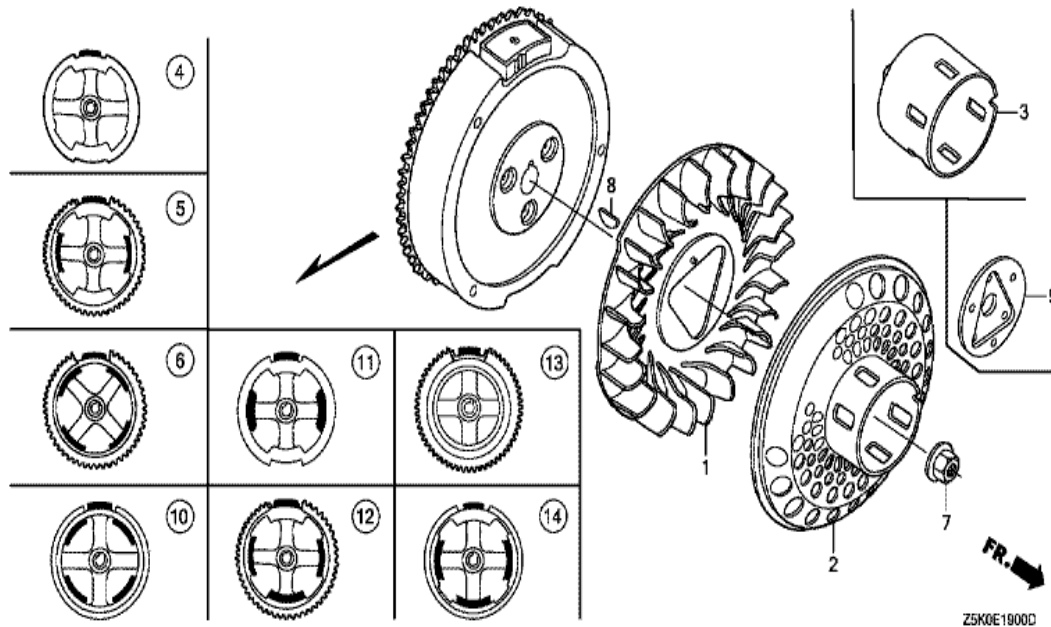
E-17 FUEL TANK



<u>Ref</u>	<u>Partnumber</u>	<u>Description</u>	<u>GX270UT2</u>	<u>Serial Numbers</u>
001	16854-ZH8-000	RUBBER, SUPPORTER (107MM)	1	
002	16955-ZE1-010	JOINT, FUEL TANK	1	
005	17631-Z0T-801	PACKING, FUEL FILLER CAP (39X62X3) (RADI	1	
007	91353-671-004	O-RING, 14MM (NOK)	1	
008	94050-08000	NUT, FLANGE, 8MM	2	
009	91424-Z5K-003	TUBE, FUEL, 4.5X210 (FKM)	1	
011	95701-0802500	BOLT, FLANGE, 8X25	2	
012	95002-4080008	CLAMP, TUBE (D8)	2	
021	17620-Z4H-030	CAP COMP., FUEL FILLER	1	
021	17620-Z4H-030	CAP COMP., FUEL FILLER	1	
022	17672-Z4H-000	FILTER, FUEL	1	
027	17510-Z5K-000ZB	TANK COMP., FUEL *NH31*	1	

GX270UT2(WKT)

E-19 FLYWHEEL



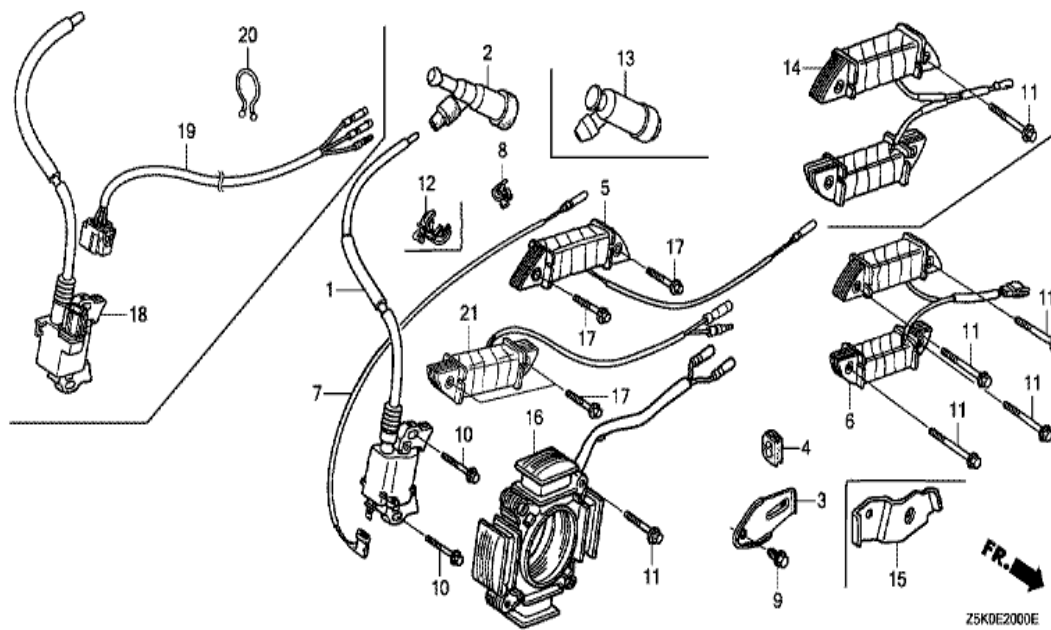
Z5K0E1900D

<u>Ref</u>	<u>Partnumber</u>	<u>Description</u>	<u>GX270UT2</u>	<u>Serial Numbers</u>
001	19511-ZE2-000	FAN, COOLING	1	
003	28451-ZE2-W01	PULLEY, STARTER	1	
004	31110-Z5K-000	FLYWHEEL COMP.	1	
007	90201-ZE3-V00	NUT, SPECIAL, 16MM	1	
007	90201-ZE3-V00	NUT, SPECIAL, 16MM	1	
008	90741-ZE2-000	KEY, SPECIAL WOODRUFF, 25X18	1	

015	98079-55855	PLUG, SPARK (W16EPR-U) (DENSO)	(1)
015	98079-55876	PLUG, SPARK (BPR5ES) (NGK)	(1)
015	98079-56855	PLUG, SPARK (W20EPR-U) (DENSO)	1
015	98079-56876	PLUG, SPARK (BPR6ES) (NGK)	1
017	12357-Z5T-020	TUBE, BREATHER	1

GX270UT2(WKT)

E-20 IGNITION COIL (1)

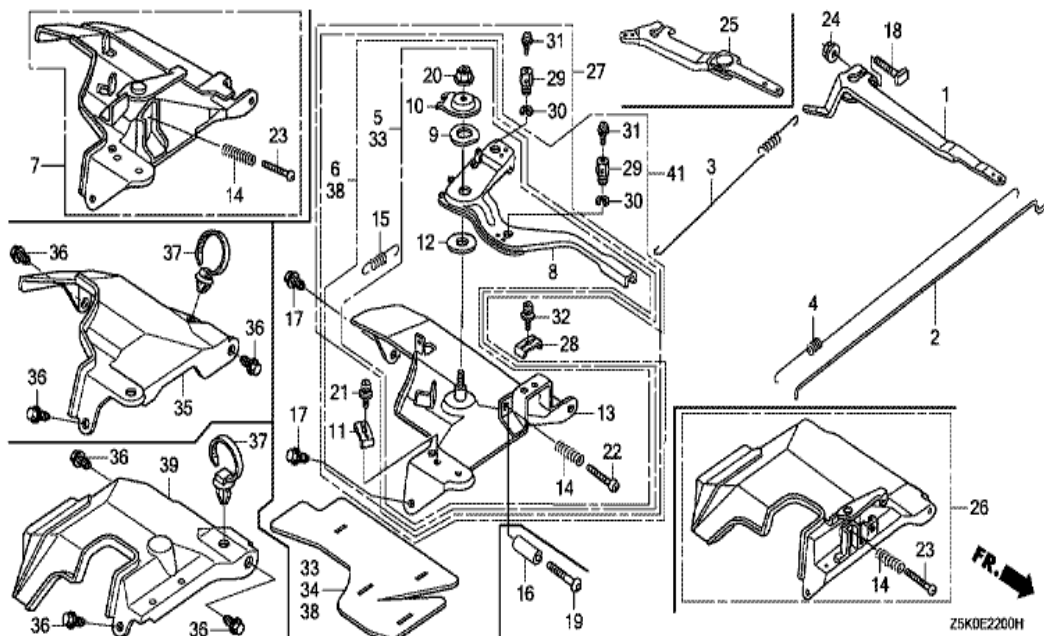


Z5KDE2000E

<u>Ref</u>	<u>Partnumber</u>	<u>Description</u>	<u>GX270UT2</u>	<u>Serial Numbers</u>
002	30700-Z1C-811	CAP ASSY., NOISE SUPPRESSOR (NGK Y-EZD)	1	
004	31512-ZE2-000	GROMMET, CORD	1	
010	90015-883-000	BOLT, FLANGE, 6X28 (CT200)	2	
012	90684-ZA0-601	CLIP, HARNESS	1	
018	30500-Z5K-003	COIL ASSY., IGNITION	1	
019	32110-Z5K-000	HARNESS ASSY., ENGINE WIRE	1	

GX270UT2(WKT)

E-22 CONTROL



<u>Ref</u>	<u>Partnumber</u>	<u>Description</u>	<u>GX270UT2</u>	<u>Serial Numbers</u>
001	16551-ZE2-000	ARM, GOVERNOR	1	
002	16555-ZE2-000	ROD, GOVERNOR	1	
003	16561-ZE2-000	SPRING, GOVERNOR (L=145.0MM) (WIRE DIAME	1	
004	16562-ZE2-000	SPRING, THROTTLE RETURN	1	
005	16500-Z5K-305	CONTROL ASSY. (COO) (FOR U.S.A.)	1	
008	16571-ZE2-W00	LEVER, CONTROL	1	
009	16574-ZE1-000	SPRING, LEVER	1	
010	16575-ZE2-W00	WASHER, CONTROL LEVER	1	
012	16578-ZE1-000	SPACER, CONTROL LEVER	1	
013	16580-Z5K-000	BASE COMP., CONTROL	1	
014	16584-883-300	SPRING, CONTROL ADJUSTING	1	
017	90013-883-000	BOLT, FLANGE, 6X12 (CT200)	2	
018	90015-Z5T-000	BOLT, GOVERNOR ARM	1	
<u>Ref</u>	<u>Partnumber</u>	<u>Description</u>	<u>GX270UT2</u>	<u>Serial Numbers</u>
020	90114-SA0-000	NUT, SELF-LOCK, 6MM	1	
022	93500-050280A	SCREW, PAN, 5X28	1	

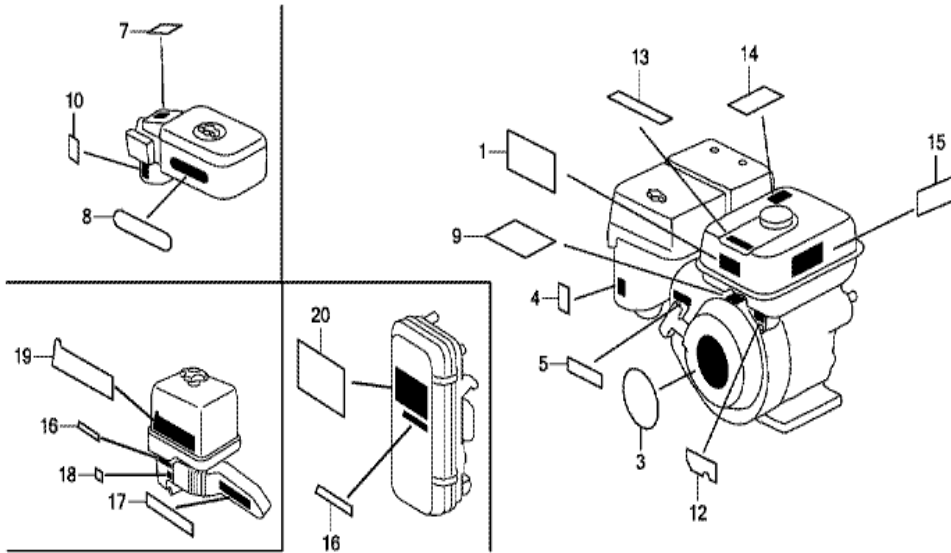
024 94050-06000

NUT, FLANGE, 6MM

1

GX270UT2(WKT)

E-28 LABEL

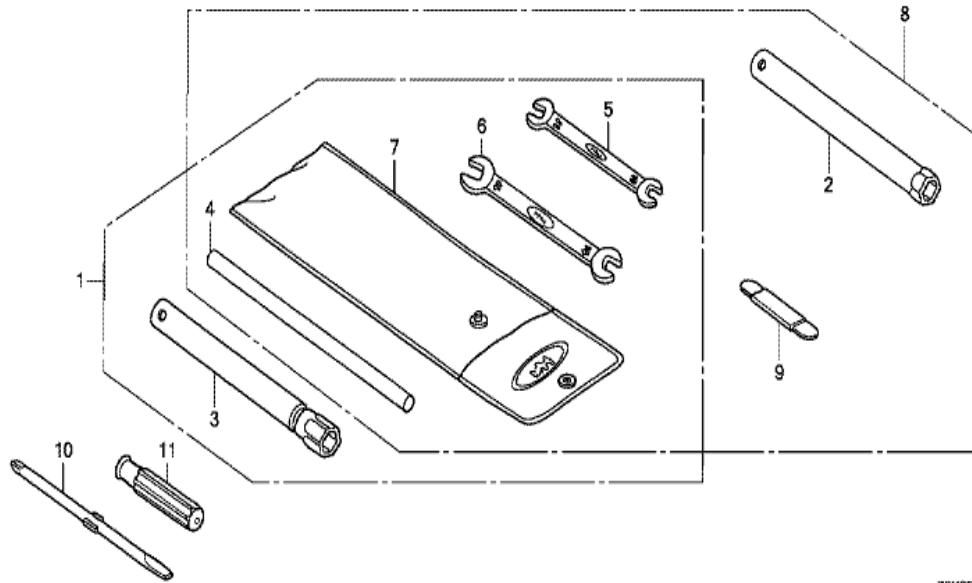


Z5K0E2800F

<u>Ref</u>	<u>Partnumber</u>	<u>Description</u>	<u>GX270UT2</u>	<u>Serial Numbers</u>
003	87521-Z5K-000	EMBLEM (GX270)	1	
004	87528-Z5T-000	MARK, CHOKE	1	
005	87532-ZH7-000	MARK, THROTTLE INDICATION	1	
009	87516-Z4H-010	MARK, OPERATOR CAUTION (ENGLISH) (MADE I	1	
014	87539-Z0J-000	MARK, EX. CAUTION (ENGLISH)	1	

GX270UT2(WKT)

E-29 TOOL

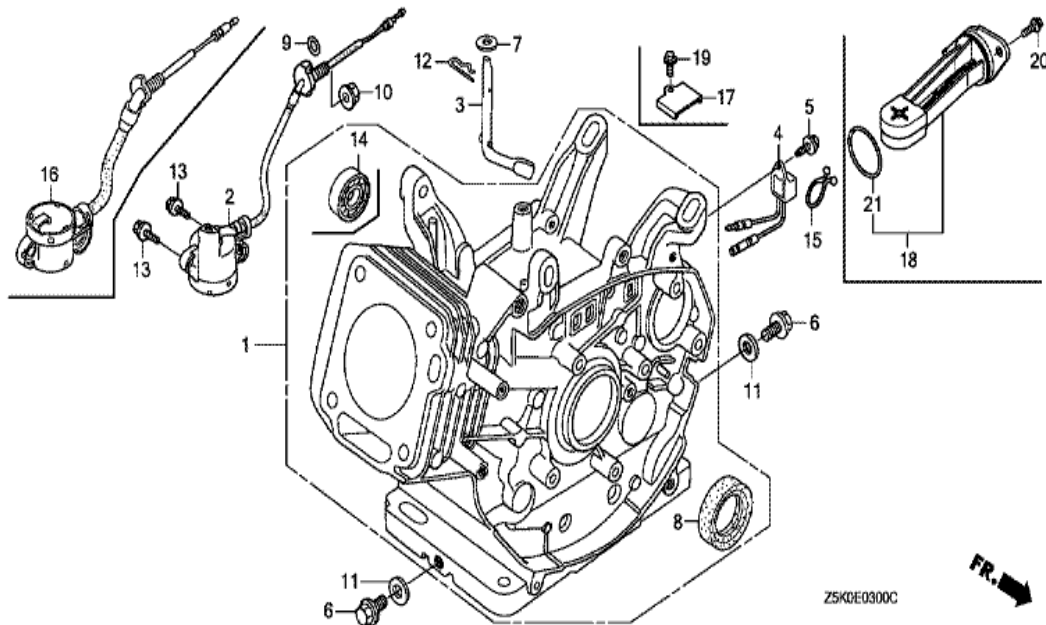


Z5K0E2900B

<u>Ref</u>	<u>Partnumber</u>	<u>Description</u>	<u>GX270UT2</u>	<u>Serial Numbers</u>
002	89216-Z0T-800	WRENCH, SPARK PLUG	1	

GX270UT2(WKT)

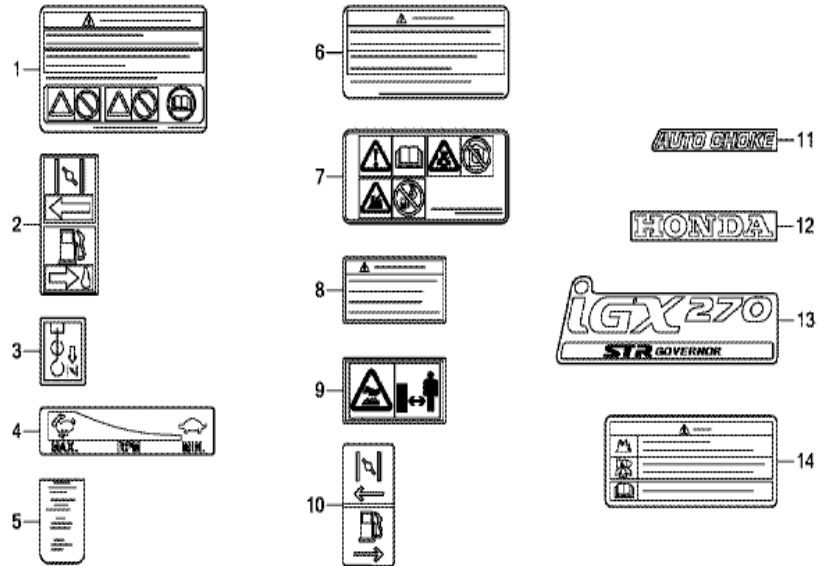
E-3 CYLINDER BARREL



<u>Ref</u>	<u>Partnumber</u>	<u>Description</u>	<u>GX270UT2</u>	<u>Serial Numbers</u>
001	12000-Z5K-406	BARREL ASSY., CYLINDER	1	
003	16541-ZE2-010	SHAFT, GOVERNOR ARM	1	
006	90131-883-000	BOLT, DRAIN PLUG, 12X15	2	
007	90446-KE1-000	WASHER, 8.2X17X0.8	1	
008	91201-Z1D-003	OIL SEAL, 30X46X8 (NOK ASIA)	1	
009	91353-671-004	O-RING, 14MM (NOK)	1	
010	94050-10000	NUT, FLANGE, 10MM	1	
011	94109-12000	WASHER, DRAIN PLUG, 12MM	2	
012	94251-10000	PIN, LOCK, 10MM	1	
013	95701-0601200	BOLT, FLANGE, 6X12	2	
016	35480-ZF6-003	SWITCH ASSY., OIL LEVEL	1	

GX270UT2(WKT)

E-40-2 OTHER PARTS (LABEL)

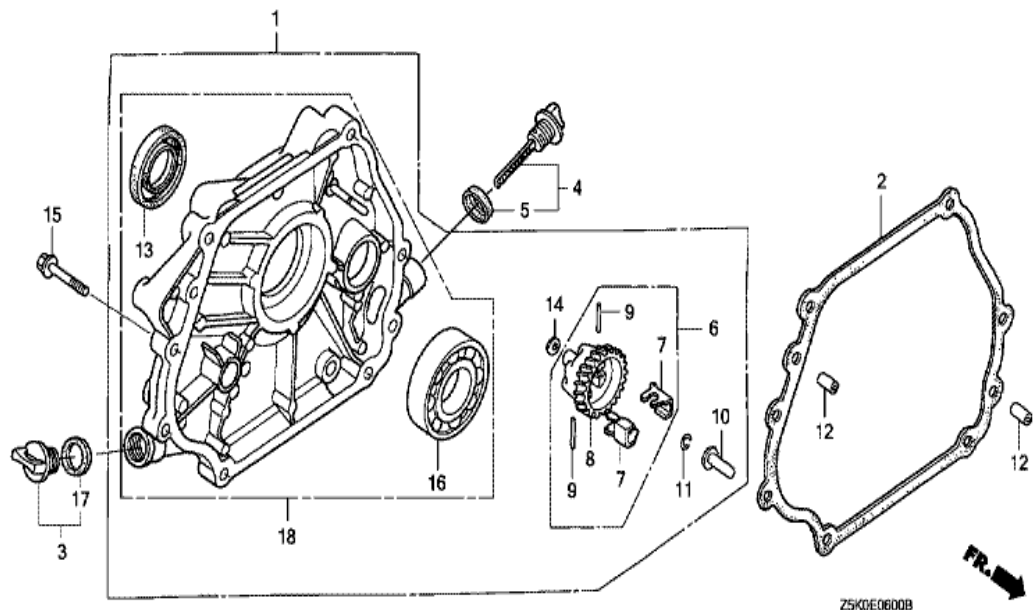


Z5K0E4002C

<u>Ref</u>	<u>Partnumber</u>	<u>Description</u>	<u>GX270UT2</u>	<u>Serial Numbers</u>
006	87516-Z4H-801	MARK, OPERATOR CAUTION (FRENCH) (MADE IN	1	
007	87519-Z4H-000	MARK, OPERATOR CAUTION (PICTOGRAPH)	1	
008	87539-Z0J-810	MARK, EX. CAUTION (FRENCH)	1	
009	87539-Z0J-800	MARK, EX. CAUTION (PICTOGRAPH)	1	

GX270UT2(WKT)

E-6 CRANKCASE COVER (1)

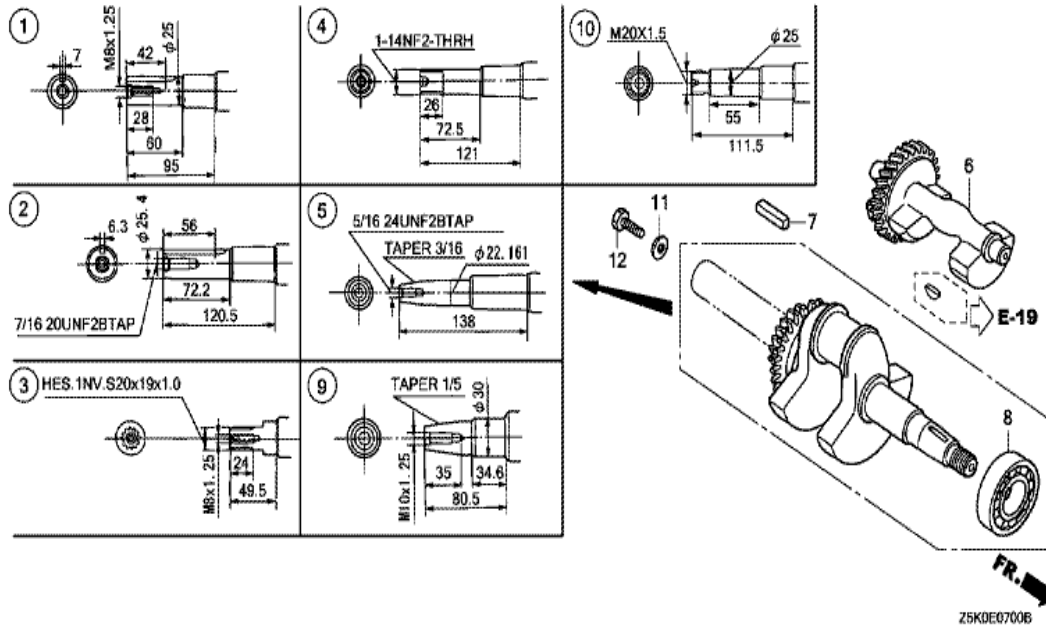


<u>Ref</u>	<u>Partnumber</u>	<u>Description</u>	<u>GX270UT2</u>	<u>Serial Numbers</u>
001	11300-Z1D-810	COVER ASSY., CRANKCASE	1	
002	11381-Z5K-000	PACKING, CASE COVER	1	
003	15600-Z0T-820	CAP ASSY., OIL FILLER	1	
004	15600-Z1C-000	CAP ASSY., OIL FILLER	1	
005	15625-Z0T-800	PACKING, OIL FILLER CAP	1	
006	16510-ZE2-000	GOVERNOR ASSY.	1	
007	16511-ZE2-000	WEIGHT, GOVERNOR	2	
008	16512-ZE2-000	HOLDER, GOVERNOR WEIGHT	1	
009	16513-ZE2-000	PIN, GOVERNOR WEIGHT	2	
010	16531-Z0A-000	SLIDER, GOVERNOR	1	
011	90602-ZE1-000	CLIP, GOVERNOR HOLDER	1	
012	90701-HC4-000	DOWEL PIN, 8X12	2	
013	91201-Z1D-003	OIL SEAL, 30X46X8 (NOK ASIA)	1	
<u>Ref</u>	<u>Partnumber</u>	<u>Description</u>	<u>GX270UT2</u>	<u>Serial Numbers</u>
014	94101-06800	WASHER, PLAIN, 6MM	1	
015	95701-0803500	BOLT, FLANGE, 8X35	7	

016	96100-6206000	BEARING, RADIAL BALL, 6206	1
017	15625-Z0T-800	PACKING, OIL FILLER CAP	1

GX270UT2(WKT)

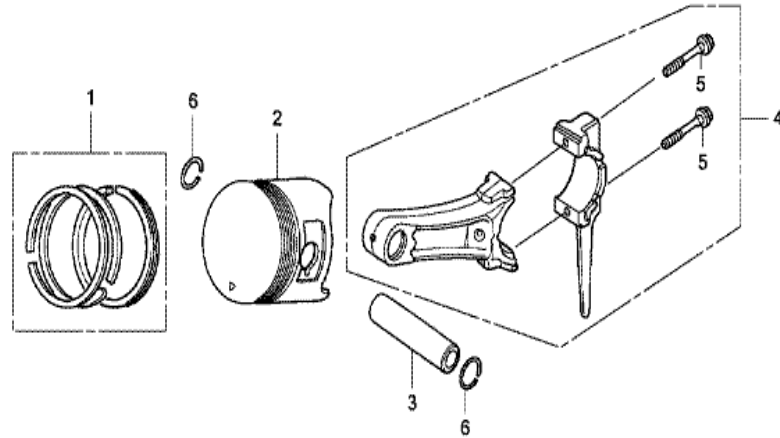
E-7 CRANKSHAFT



Ref	Partnumber	Description	GX270UT2	Serial Numbers
008	91001-ZH9-003	BEARING, RADIAL BALL (6206 SH)	1	
010	13310-ZH9-631	CRANKSHAFT COMP.	1	

GX270UT2(WKT)

E-8 PISTON



Z5K0E0800A

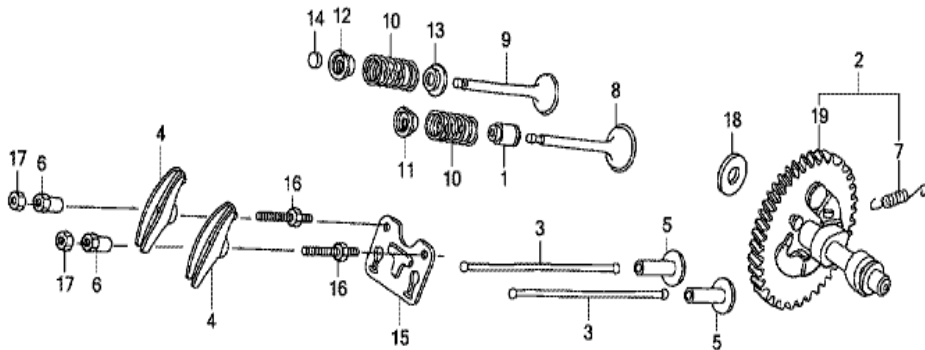


<u>Ref</u>	<u>Partnumber</u>	<u>Description</u>	<u>GX270UT2</u>	<u>Serial Numbers</u>
001	13010-Z5K-004	RING SET, PISTON (STD.) (TEIKOKU)	1	
001	13011-Z5K-004	RING SET, PISTON (0.25) (TEIKOKU)	(1)	
001	13012-Z5K-004	RING SET, PISTON (0.50) (TEIKOKU)	(1)	
001	13013-Z5K-004	RING SET, PISTON (0.75) (TEIKOKU)	(1)	
002	13101-Z5K-000	PISTON (STD.)	1	
002	13101-Z5K-000	PISTON (STD.)	1	
002	13102-Z5K-000	PISTON (0.25)	(1)	
002	13102-Z5K-000	PISTON (0.25)	(1)	
002	13103-Z5K-000	PISTON (0.50)	(1)	
002	13103-Z5K-000	PISTON (0.50)	(1)	
002	13104-Z5K-000	PISTON (0.75)	(1)	
002	13104-Z5K-000	PISTON (0.75)	(1)	
003	13111-Z5K-000	PIN, PISTON	1	
<u>Ref</u>	<u>Partnumber</u>	<u>Description</u>	<u>GX270UT2</u>	<u>Serial Numbers</u>
004	13200-Z1D-000	ROD ASSY., CONNECTING (STD.)	1	
004	13200-Z1D-305	ROD ASSY., CONNECTING (0.25 UNDER SIZE)	(1)	

005	90001-ZE8-000	BOLT, CONNECTING ROD	2
006	90551-ZE1-000	CLIP, PISTON PIN, 18MM	2

GX270UT2(WKT)

E-9 CAMSHAFT



Z5KDE0900B

<u>Ref</u>	<u>Partnumber</u>	<u>Description</u>	<u>GX270UT2</u>	<u>Serial Numbers</u>
001	12209-ZE8-003	SEAL, VALVE STEM	1	
003	14410-Z1D-000	ROD, PUSH	2	
004	14431-ZE2-010	ARM, VALVE ROCKER	2	
005	14441-ZE2-000	LIFTER, VALVE	2	
006	14451-ZE1-013	PIVOT, ROCKER ARM	2	
006	14451-ZE1-013	PIVOT, ROCKER ARM	2	
008	14711-Z5K-000	VALVE, IN.	1	
009	14721-Z5K-000	VALVE, EX.	1	
010	14751-Z1C-000	SPRING, VALVE	2	
011	14771-Z8S-000	RETAINER, IN. VALVE SPRING	1	
012	14771-Z8S-000	RETAINER, IN. VALVE SPRING	1	
012	14771-Z8S-000	RETAINER, IN. VALVE SPRING	1	
013	14775-ZE2-010	SEAT, VALVE SPRING	1	
<u>Ref</u>	<u>Partnumber</u>	<u>Description</u>	<u>GX270UT2</u>	<u>Serial Numbers</u>
015	14791-Z1D-000	GUIDE, PUSH ROD	1	
016	90012-ZE0-010	BOLT, PIVOT, 8MM	2	

017	90206-ZE1-000	NUT, PIVOT ADJUSTING	2
019	14100-Z5K-910	CAMSHAFT COMP. (STD) (PRESS FIT CAM)	1