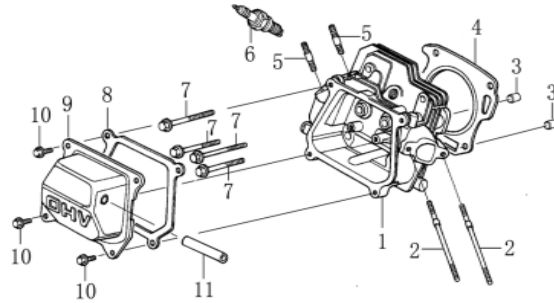
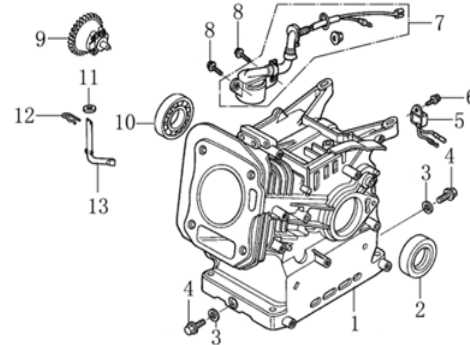


MOTOR G200F

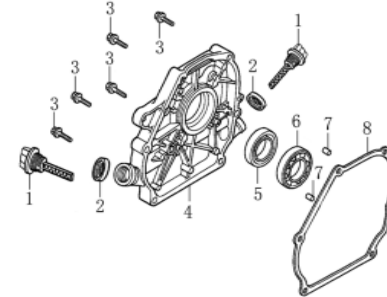
CYLINDERHEAD



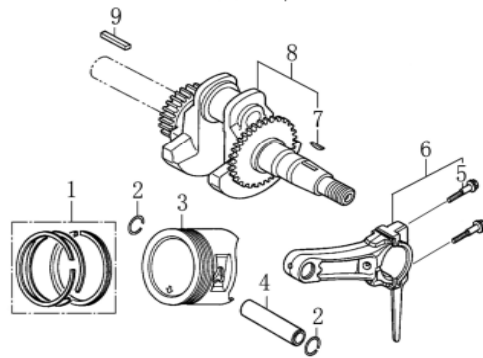
CRANK CASE



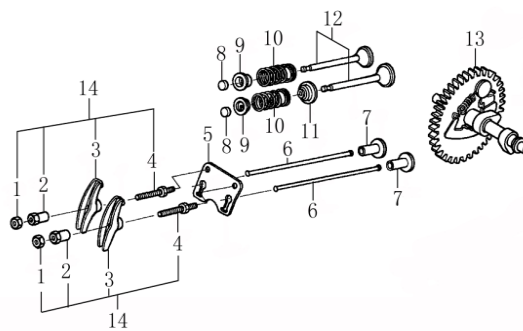
CRANK CASE COVER



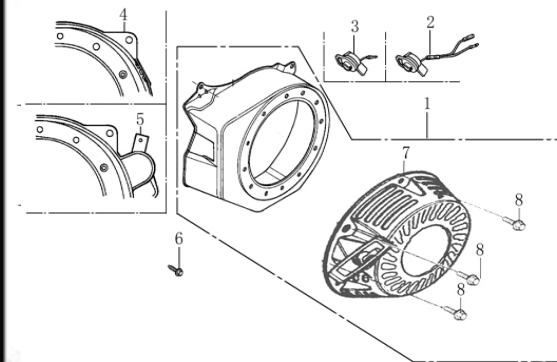
CRANKSHAFT/PISTON



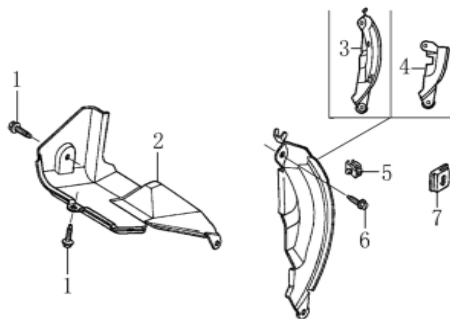
GAS DISTRIBUTION ADJUSTMENT



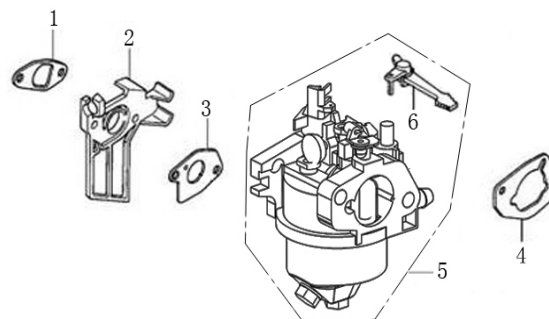
STARTER SUBASSEMBLY



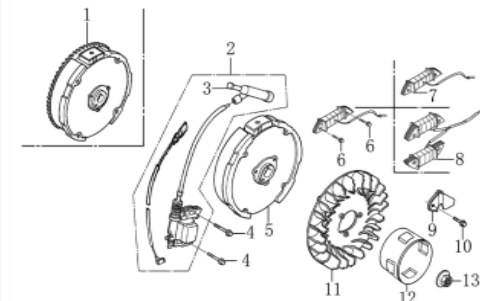
DEVERSION ASSY.



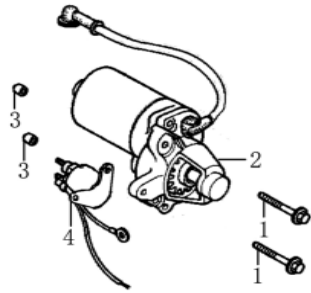
CARBURETOR



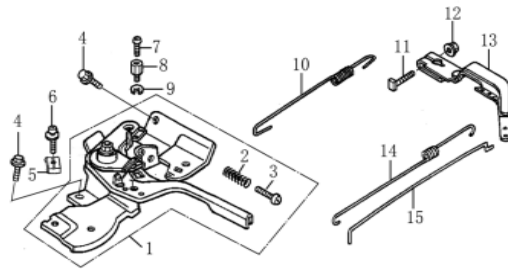
FLYWHEEL/COIL ASSY.



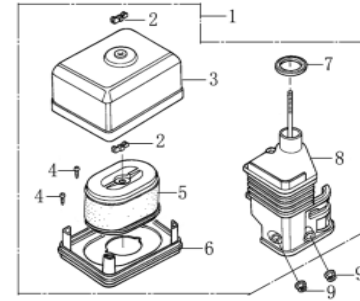
起动电机 STARTER MOTOR



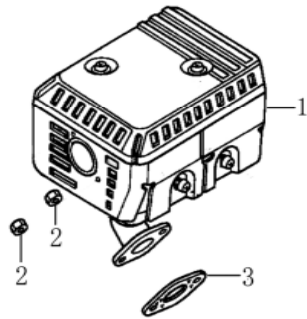
调速控制系统 CONTROL SYSTEM



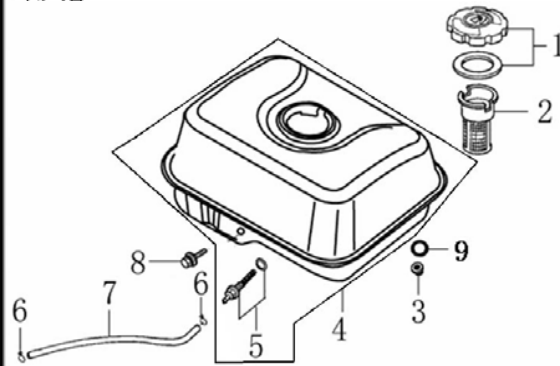
空滤器 AIR CLEANER



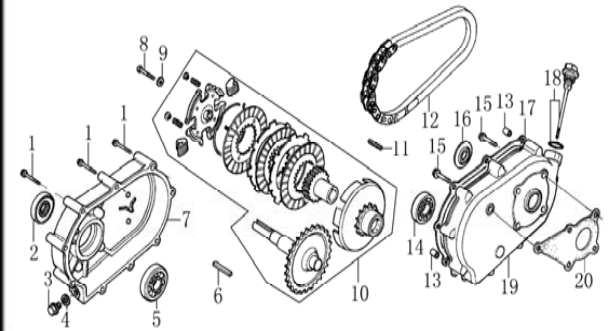
消声器 MUFFLER



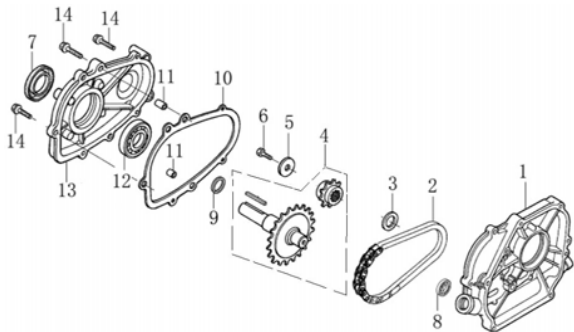
邮箱 FUEL TANK

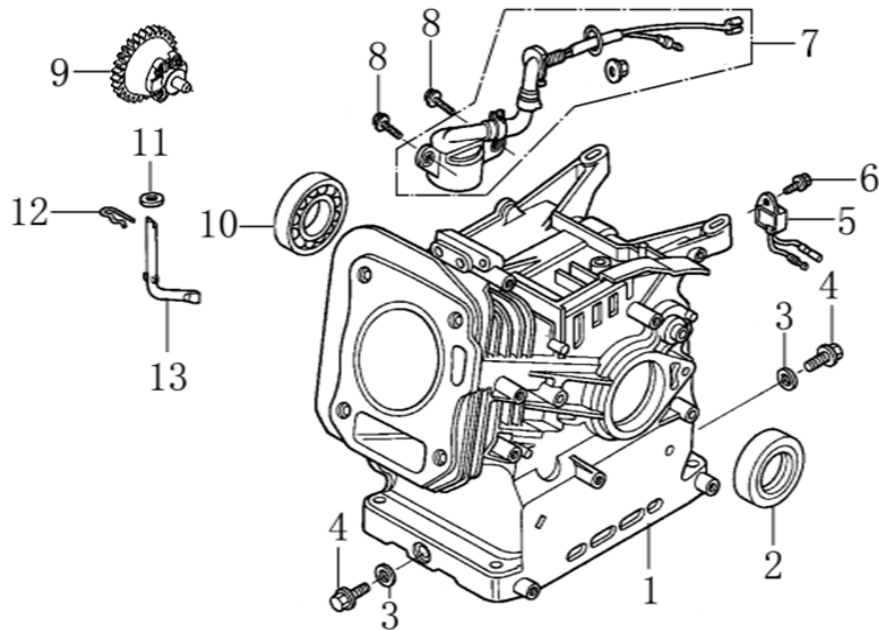


离合器减速箱 CLUTCH RETARDER



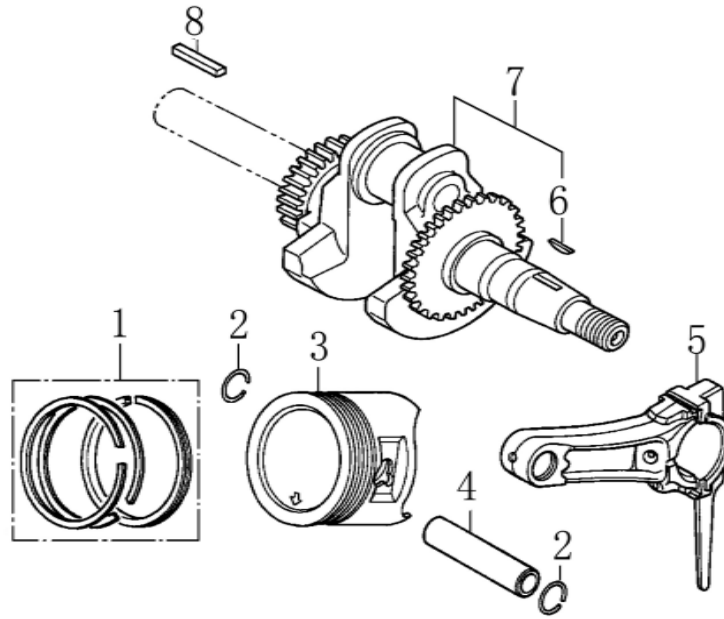
减速箱 RETARDER





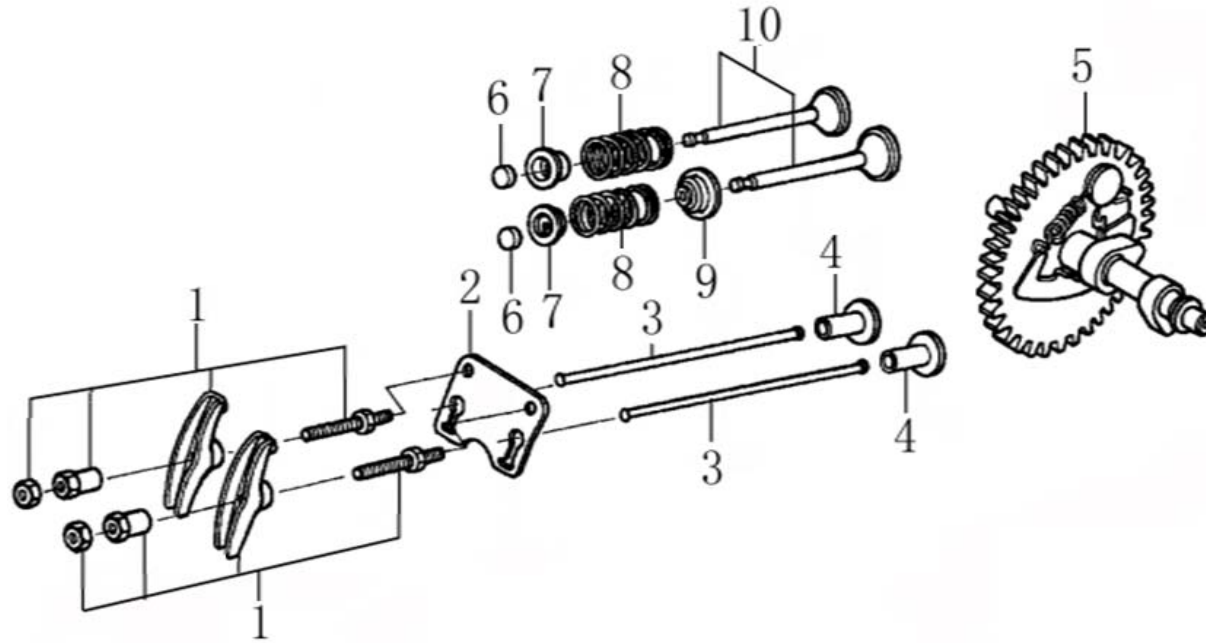
(CRANK CASE)

| No. | Part No. | Description | (Reqd. QTY) | | | |
|-----|----------------|-----------------------|-------------|--------------|----------|----------|
| | | | LC168F(D)-I | LC168F(D)-II | G160F(D) | G200F(D) |
| 1 | 110810004-T040 | CRANK CASE | 1 | - | 1 | - |
| | 110810006-T050 | CRANK CASE | - | 1 | - | 1 |
| 2 | 380650347-T320 | OIL SEAL 25x41.25x6 | 1 | 1 | 1 | 1 |
| 3 | 380450514-T040 | WASHER,DRAIN PLUG | 2 | 2 | 2 | 2 |
| 4 | 110260025-T040 | BOLT,DRAIN PLUG | 2 | 2 | 2 | 2 |
| 5 | 281890001-T040 | ALART UNIT,OIL | 1 | 1 | 1 | 1 |
| 6 | 380140011-0004 | BOLT,FLANGE, 6x10 | 1 | 1 | 1 | 1 |
| 7 | 281850150-T040 | OIL LEVEL SWITCH | 1 | 1 | 1 | 1 |
| 8 | 380140215-0003 | BOLT,FLANGE , 6x14 | 2 | 2 | 2 | 2 |
| 9 | 171750002-T040 | GOVERNOR GEAR ASSY. | 1 | 1 | 1 | 1 |
| 10 | 380630137-0002 | BEARING , RADIAL BALL | 1 | 1 | 1 | 1 |
| 11 | 380450531-T040 | WASHER ,PLAIN | 1 | 1 | 1 | 1 |
| 12 | 381350004-T040 | PIN , LOCK | 1 | 1 | 1 | 1 |
| 13 | 171630001-T040 | SHAFT , GOVERNOR ARM | 1 | 1 | 1 | 1 |
| | | | | | | |



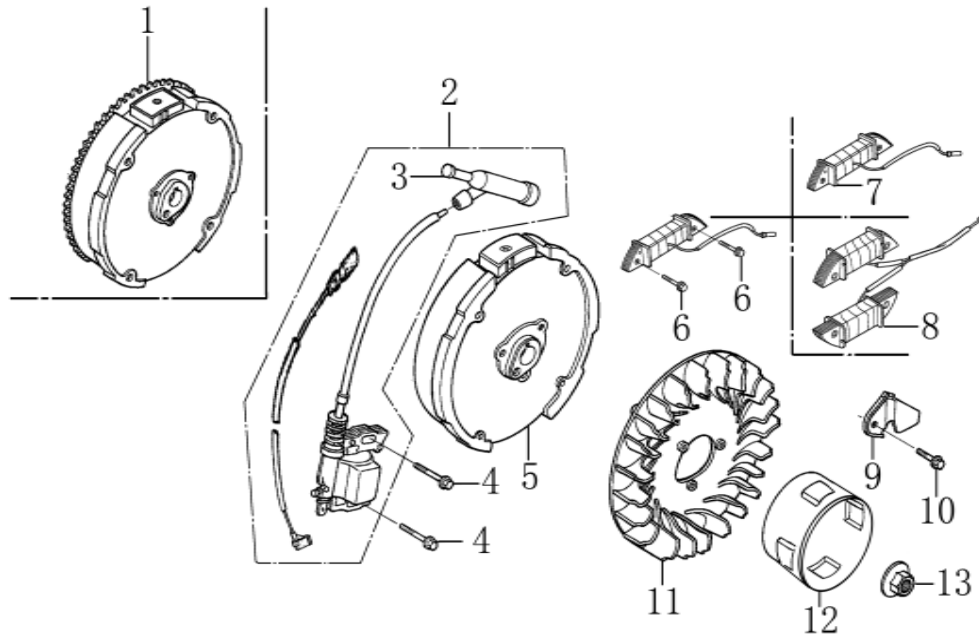
(CRANKSHAFT/PISTON)

| No. | Part No. | Description | (Reqd. QTY) | | | |
|-----|----------------|-----------------------|-------------|--------------|----------|----------|
| | | | LC168F(D)-I | LC168F(D)-II | G160F(D) | G200F(D) |
| 1 | 130070079-T040 | RING SET | 1 | 1 | 1 | 1 |
| 2 | 380560056-T040 | CLIP ,PISTON PIN | 2 | 2 | 2 | 2 |
| 3 | 130030081-T040 | PISTON | 1 | - | 1 | - |
| | 130030083-T050 | PISTON | - | 1 | - | 1 |
| 4 | 130060031-T040 | PIN ,PISTON | 1 | 1 | 1 | 1 |
| 5 | 130150039-T040 | ROD ASSY .,CONNECTING | 1 | 1 | 1 | 1 |
| 6 | 380620050-0001 | KEY | 1 | 1 | 1 | 1 |
| 7 | 130290035-T040 | CRANKSHAFT COMP(R) | 1 | - | 1 | - |
| | 130290049-T050 | CRANKSHAFT COMP(R) | - | 1 | - | 1 |
| 8 | 380620032-0001 | KEY 33x5x5 | 1 | 1 | 1 | 1 |
| | | | | | | |
| | | | | | | |
| | | | | | | |
| | | | | | | |



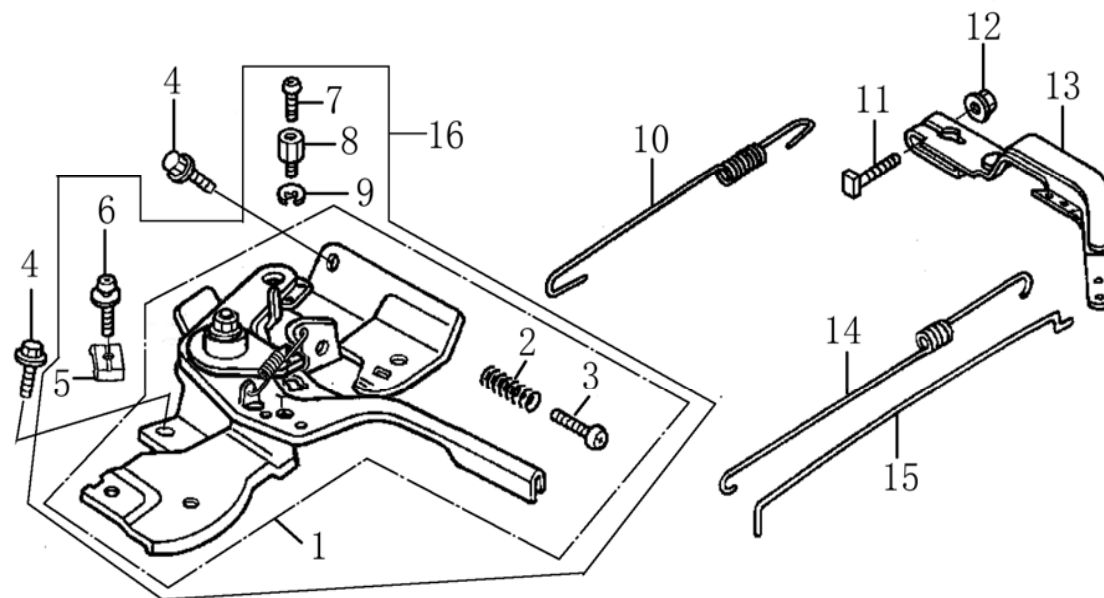
(GAS DISTRIBUTION ADJUSTMENT)

| No. | Part No. | Description | (Reqd. QTY) | | | |
|-----|----------------|-----------------------|-------------|--------------|----------|----------|
| | | | LC168F(D)-I | LC168F(D)-II | G160F(D) | G200F(D) |
| 1 | 140450022-T040 | ARM COMP. | 2 | 2 | 2 | 2 |
| 2 | 140710001-T040 | PLATE,PUSH ROD GUIDE | 1 | 1 | 1 | 1 |
| 3 | 140670004-T040 | ROD,PUSH | 2 | 2 | 2 | 2 |
| 4 | 140690002-T040 | LIFTER,VALVE | 2 | - | 2 | - |
| | 140690003-T050 | LIFTER,VALVE | - | 2 | - | 2 |
| 5 | 140020113-T040 | CAMSHAFT ASSY. | 1 | - | 1 | - |
| | 140020114-T050 | CAMSHAFT ASSY. | - | 1 | - | 1 |
| 6 | 140320001-T040 | RATATOR , VALVE | 2 | 2 | 2 | 2 |
| 7 | 140380017-T040 | RETAINER,VALVE SPRING | 2 | 2 | 2 | 2 |
| 8 | 140340022-T040 | SPRING,VALVE | 2 | 2 | 2 | 2 |
| 9 | 140400011-T040 | SEAL,GUIDE | 1 | 1 | 1 | 1 |
| 10 | 500550024-T040 | VALVE COMP. | 1 | 1 | 1 | 1 |
| | | | | | | |
| | | | | | | |
| | | | | | | |



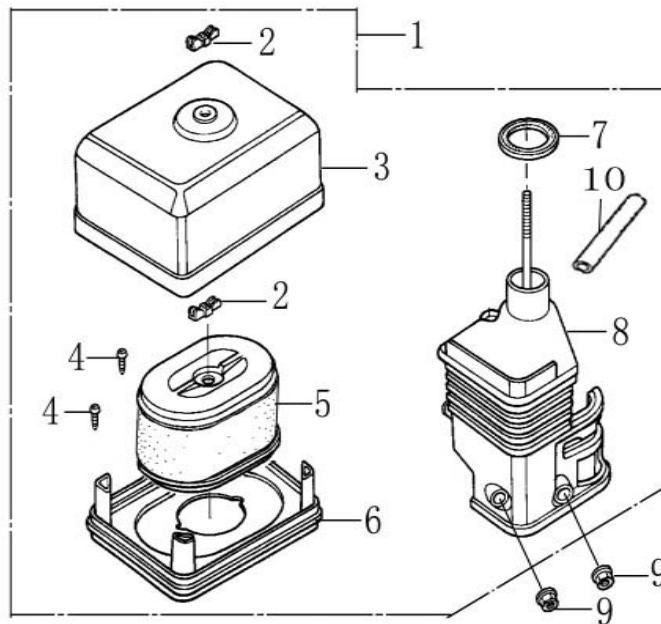
(FLYWHEEL/COIL ASSY.)

| No. | Part No. | Description | (Reqd. QTY) | | | |
|-----|----------------|----------------------------|-------------|--------------|----------|----------|
| | | | LC168F(D)-I | LC168F(D)-II | G160F(D) | G200F(D) |
| 1 | 270020098-T041 | FLYWHEEL COMP | (1) | (1) | (1) | (1) |
| 2 | 270920162-T040 | COIL ASSY.,IGNITION | 1 | 1 | 1 | 1 |
| 3 | 270950040-T040 | CAP ASSY.,NOISE SUPPRESSOR | 1 | 1 | 1 | 1 |
| 4 | 380140102-0004 | BOLT,FLANGE , 6x25 | 2 | 2 | 2 | 2 |
| 5 | 270020097-T040 | FLYWHEEL COMP | 1(-) | 1(-) | 1(-) | 1(-) |
| 6 | 380140102-0004 | BOLT,FLANGE , 6x25 | (2) | (2) | (2) | (2) |
| 7 | 270190018-T111 | COIL ASSY.,CHARGE | (1) | (1) | (1) | (1) |
| 8 | 270190003-T111 | COIL ASSY.,CHARGE | (1) | (1) | (1) | (1) |
| 9 | 270280006-T041 | CLAMPER ,CORD | (1) | (1) | (1) | (1) |
| 10 | 380140089-0003 | BOLT,FLANGE , 6x8 | (1) | (1) | (1) | (1) |
| 11 | 160180007-T040 | FAN,COOLING | 1 | 1 | 1 | 1 |
| 12 | 193590005-T040 | PULLEY,STARTER | 1 | 1 | 1 | 1 |
| 13 | 380370051-T040 | NUT,SPECIAL | 1 | 1 | 1 | 1 |
| | | | | | | |
| | | | | | | |



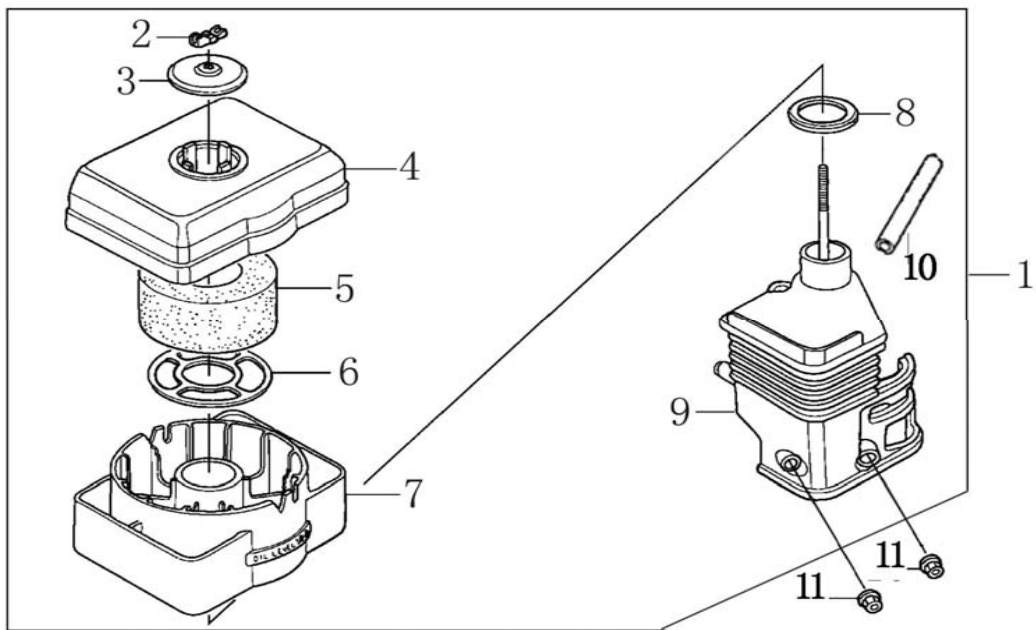
(CONTROL SYSTEM)

| No. | Part No. | Description | (Reqd. QTY) | | | |
|-----|----------------|------------------------|-------------|--------------|----------|----------|
| | | | LC168F(D)-I | LC168F(D)-II | G160F(D) | G200F(D) |
| 1 | 171680006-T040 | CONTROL ASSY. | 1 | 1 | 1 | 1 |
| 2 | 171660001-T040 | SPRING | 1 | 1 | 1 | 1 |
| 3 | 380200017-0005 | SCREW , 5x35 | 1 | 1 | 1 | 1 |
| 4 | 380140011-0004 | BOLT,FLANGE | 2 | 2 | 2 | 2 |
| 5 | 171710004-T040 | HOLDER, CABLE | 1 | 1 | 1 | 1 |
| 6 | 380200010-0005 | SCREW , 5x25 | 1 | 1 | 1 | 1 |
| 7 | 380200037-0003 | SCREW , 4x6 | 1 | 1 | 1 | 1 |
| 8 | 171720001-T040 | HOLDER,WIRE | 1 | 1 | 1 | 1 |
| 9 | 380570018-0001 | CIRCLIP | 1 | 1 | 1 | 1 |
| 10 | 171600036-T040 | SPRING,GOVERNOR | 1 | 1 | 1 | 1 |
| 11 | 380250002-T040 | BOLT,QUADRATE HEAD | 1 | 1 | 1 | 1 |
| 12 | 380370066-0001 | NUT,FLANGE | 1 | 1 | 1 | 1 |
| 13 | 171620001-T040 | ARM,GOVERNOR | 1 | 1 | 1 | 1 |
| 14 | 171610002-T040 | SPRING,THROTTLE RETURN | 1 | 1 | 1 | 1 |
| 15 | 171590002-T040 | ROD,GOVERNOR | 1 | 1 | 1 | 1 |
| 16 | 171680011-T040 | CONTROL ASSY. | 1 | 1 | 1 | 1 |



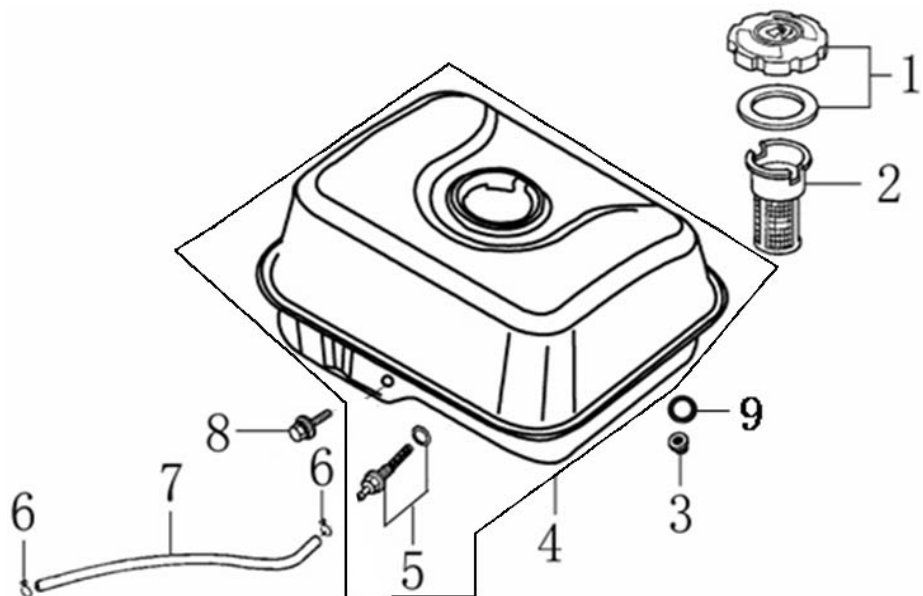
(AIR CLEANER)

| No. | Part No. | Description | (Reqd. QTY) | | | |
|-----|----------------|---------------------------|-------------|--------------|----------|----------|
| | | | LC168F(D)-I | LC168F(D)-II | G160F(D) | G200F(D) |
| 1 | 180020317-T040 | AIR CLEANER ASSY | 1 | 1 | - | - |
| | 180020313-T046 | AIR CLEANER ASSY | - | - | 1 | 1 |
| 2 | 380440002-0001 | NUT,TOOL BOX SETTING | 2 | 2 | 2 | 2 |
| 3 | 180070083-T040 | COVER,AIR CLEANER | 1 | 1 | - | - |
| | 180070087-T046 | COVER,AIR CLEANER | - | - | 1 | 1 |
| 4 | 380310015-0005 | SCREW | 2 | 2 | 2 | 2 |
| 5 | 180100034-T040 | ELEMENT ASSY.,AIR CLEANER | 1 | 1 | 1 | 1 |
| 6 | 180330018-T040 | NOSE,SILENCER | 1 | 1 | 1 | 1 |
| 7 | 380840437-T040 | PACKING,ELBOW | 1 | 1 | 1 | 1 |
| 8 | 180280001-T040 | ELBOW COMP.,AIR CLEANER | 1 | 1 | 1 | 1 |
| 9 | 380370048-0001 | NUT,FLANGE, 6MM | 2 | 2 | 2 | 2 |
| 10 | 380740471-T040 | TUBE,BREATHER | 1 | 1 | 1 | 1 |
| | | | | | | |
| | | | | | | |
| | | | | | | |



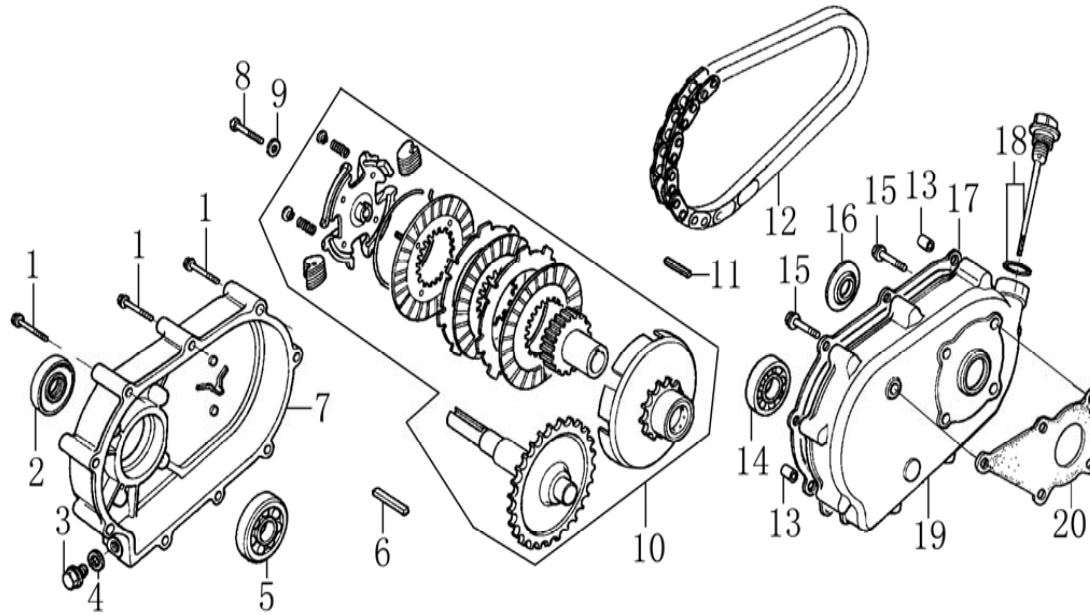
(AIR CLEANER)

| No. | Part No. | Description | (Reqd. QTY) | | | |
|-----|----------------|---------------------------|-------------|--------------|----------|----------|
| | | | LC168F(D)-I | LC168F(D)-II | G160F(D) | G200F(D) |
| 1 | 180020320-T040 | AIR CLEANER ASSY | 1 | 1 | 1 | 1 |
| 2 | 380440002-0002 | NUT , TOOL BOX SETTING | 1 | 1 | 1 | 1 |
| 3 | 180220016-T040 | CAP,CLEANER | 1 | 1 | 1 | 1 |
| 4 | 180070172-T040 | COVER , AIR CLEANER | 1 | 1 | 1 | 1 |
| 5 | 180100041-T040 | ELEMENT ASSY.,AIR CLEANER | 1 | 1 | 1 | 1 |
| 6 | 183010001-T040 | GRID,AIRCLEANER | 1 | 1 | 1 | 1 |
| 7 | 180330040-T040 | OIL CUP | 1 | 1 | 1 | 1 |
| 8 | 380840437-T040 | PACKING , ELBOW | 1 | 1 | 1 | 1 |
| 9 | 180280030-T040 | ELBOW COMP., AIR CLEANER | 1 | 1 | 1 | 1 |
| 10 | 380740471-T040 | TUBE , BREATHER | 1 | 1 | 1 | 1 |
| 11 | 380370048-0001 | NUT , FLANGE , 6MM | 2 | 2 | 2 | 2 |
| | | | | | | |
| | | | | | | |
| | | | | | | |



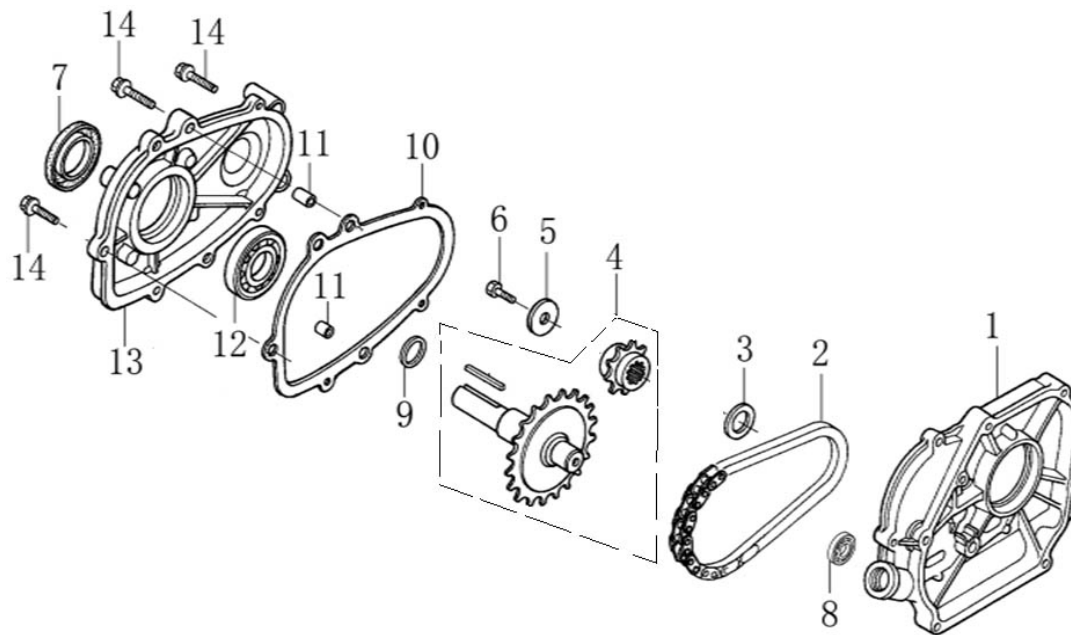
(FUEL TANK)

| No. | Part No. | Description | (Reqd. QTY) | | | |
|-----|----------------|---------------------------|-------------|--------------|----------|----------|
| | | | LC168F(D)-I | LC168F(D)-II | G160F(D) | G200F(D) |
| 1 | 170870039-T040 | CAP COMP.,FUEL FILLER (A) | 1 | 1 | 1 | 1 |
| 2 | 170720001-T040 | FILTER , FUEL | 1 | 1 | 1 | 1 |
| 3 | 380370048-0001 | NUT,FLANGE, 6MM | 2 | 2 | 2 | 2 |
| 4 | 170500508-T046 | TANK COMP.,FUEL | 1 | 1 | 1 | 1 |
| 5 | 170660077-T040 | JOINT ASSY.,FUEL TANK | 1 | 1 | 1 | 1 |
| 6 | 380950188-T040 | CLIP,TUBE | 2 | 2 | 2 | 2 |
| 7 | 380750180-T040 | TUBE,FUEL | 1 | 1 | 1 | 1 |
| 8 | 380140171-0004 | BOLT,FLANGE | 1 | 1 | 1 | 1 |
| 9 | 380920086-T040 | WASHER,RUBBER | 2 | 2 | 2 | 2 |
| | | | | | | |
| | | | | | | |
| | | | | | | |
| | | | | | | |
| | | | | | | |



(CLUTCH RETARDER)

| No. | Part No. | Description | (Reqd. QTY) | | | |
|-----|----------------|---------------------------|--------------|---------------|------------|------------|
| | | | LC168F(D)-IB | LC168F(D)-IIB | G160F(D)-B | G200F(D)-B |
| 1 | 380140186-0004 | BOLT,FLANGE, 6x55 | 9 | 9 | 9 | 9 |
| 2 | 380650343-T042 | OIL SEAL,30x50x8 | 1 | 1 | 1 | 1 |
| 3 | 110260024-T110 | BOLT,DRAIN PLUG | 1 | 1 | 1 | 1 |
| 4 | 380450516-T110 | WASHER,DRAIN PLUG | 1 | 1 | 1 | 1 |
| 5 | 380630140-0002 | BEARING,RADIAL BALL | 1 | 1 | 1 | 1 |
| 6 | 380620033-0001 | KEY 5X5X40 | 1 | 1 | 1 | 1 |
| 7 | 191920001-T042 | RETARDER CASE COVER | 1 | 1 | 1 | 1 |
| 8 | 380140358-0001 | BOLT,FLANGE , 8x30 | 1 | 1 | 1 | 1 |
| 9 | 380450566-0001 | WASHER,HOLDER ,8.4x16x1.5 | 1 | 1 | 1 | 1 |
| 10 | 190010111-T042 | CLUTCH ASSY. | 1 | 1 | 1 | 1 |
| 11 | 380620032-0001 | KEY 5X5X33 | 1 | 1 | 1 | 1 |
| 12 | 260010131-T042 | CHAIN,RETARDER | 1 | 1 | 1 | 1 |
| 13 | 380600120-T040 | PIN,DOWEL ,8x14 | 2 | 2 | 2 | 2 |
| 14 | 380630137-0002 | BEARING,RADIAL BALL | 1 | 1 | 1 | 1 |
| 15 | 380140004-0004 | BOLT,FLANGE 8x20 | 5 | 5 | 5 | 5 |



(RETARDER)

| No. | Part No. | Description | (Reqd. QTY) | | | |
|-----|----------------|-----------------------|--------------|---------------|------------|------------|
| | | | LC168F(D)-IC | LC168F(D)-IIC | G160F(D)-C | G200F(D)-C |
| 1 | 110820015-T044 | CASE COVER | 1 | 1 | 1 | 1 |
| 2 | 260010132-T044 | CHAIN,RETARDER | 1 | 1 | 1 | 1 |
| 3 | 380450517-T044 | WASHER | 1 | 1 | 1 | 1 |
| 4 | 191950002-T044 | CHAIN WHEEL | 1 | 1 | 1 | 1 |
| 5 | 380450524-T520 | WASHER | 1 | 1 | 1 | 1 |
| 6 | 380140093-T044 | BOLT 8x30 | 1 | 1 | 1 | 1 |
| 7 | 380650347-T320 | OIL SEAL | 1 | 1 | 1 | 1 |
| 8 | 380630259-T044 | BEARING , RADIAL BALL | 1 | 1 | 1 | 1 |
| 9 | 380450523-T044 | WASHER | 1 | 1 | 1 | 1 |
| 10 | 191930006-T044 | PACKING | 1 | 1 | 1 | 1 |
| 11 | 380600120-T040 | PIN | 2 | 2 | 2 | 2 |
| 12 | 380630137-0002 | BEARING , RADIAL BALL | 1 | 1 | 1 | 1 |
| 13 | 191920002-T044 | COVER | 1 | 1 | 1 | 1 |
| 14 | 380140028-0004 | BOLT 8x32 | 6 | 6 | 6 | 6 |
| | | | | | | |