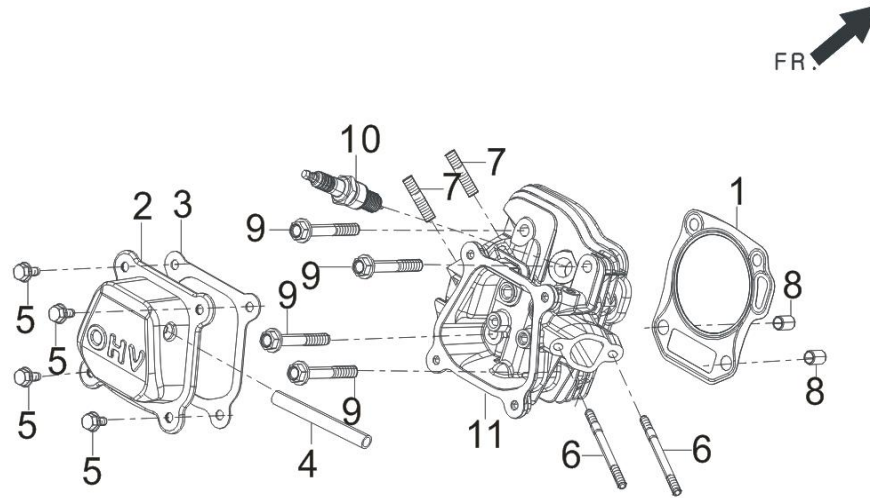


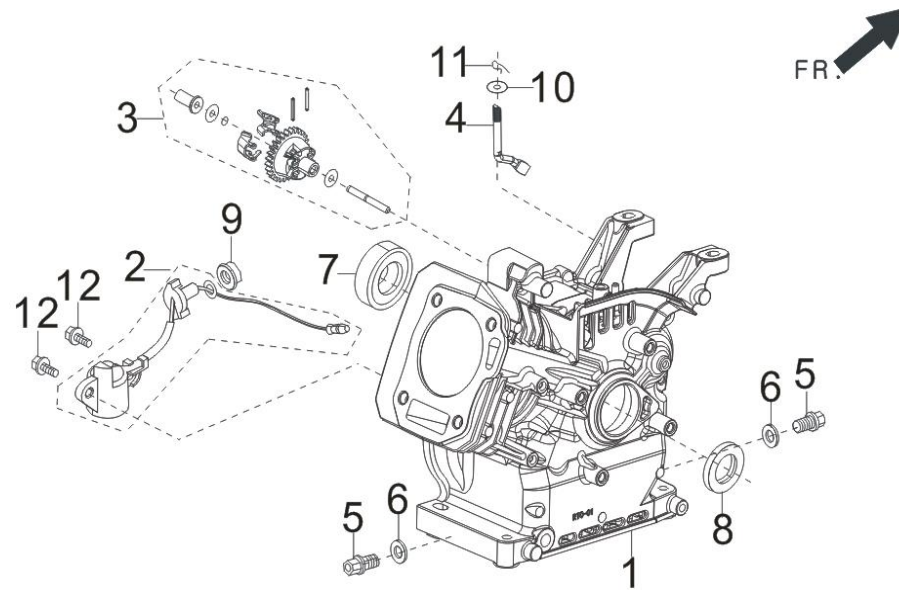
MRV50

FIG.1 HEAD SUBASSEMBLY, CYLINDER / PLUG, SPARK (E04)



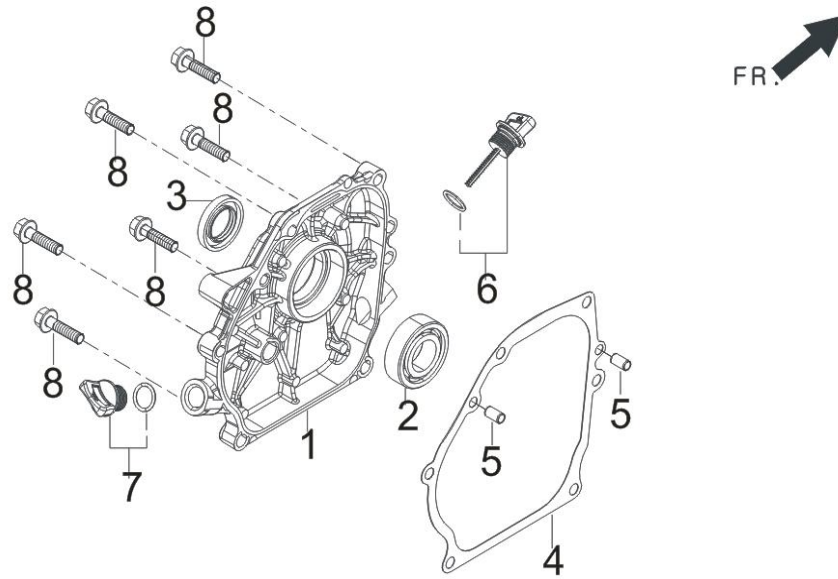
REF.NO.	PART NO	DESCRIPTION	Q'TY		
E04-1	12131-Z140120-0000	GASKET, CYLINDER HEAD	1	1	
E04-2	12410-Z300120-0000	COVER SUBASSEMBLY, CYLINDER HEAD	1	1	
E04-3	12004-Z010110-0000	GASKET, CYLINDER HEAD COVER	1	1	
E04-4	17004-Z050210-0000	TUBE, BREATHER	1	1	
E04-5	90001-0612-01	BOLT	4	1	
E04-6	90204-Z010310-0000	STUD	2	1	
E04-7	90203-Z010110-0000	STUD	2	1	
E04-8	90502-1014-00	PIN	2	1	
E04-9	12003-Z010110-0000	BOLT, CYLINDER HEAD	4	1	
E04-10	30010-Z010110-0000	PLUG, SPARK	1	1	
E04-11	12140-Z040610-0000	HEAD SUBASSEMBLY, CYLINDER	1	1	

FIG.2 CRANKCASE. / GEAR ASSY, GOVERNOR. (E17)



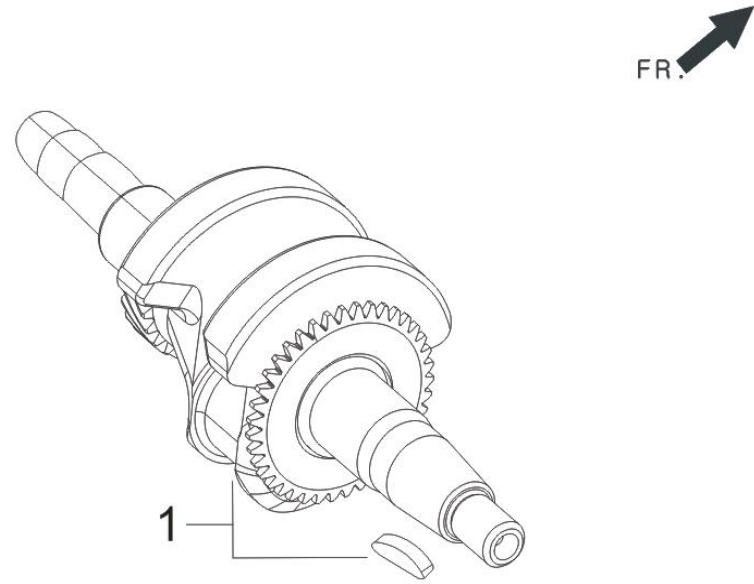
REF.NO.	PART NO	DESCRIPTION	Q'TY		
E17-1	11310-Z140420-0000	CRANKCASE SUBASSEMBLY.	1	1	
E17-2	37060-Z010120-0000	SENSOR, ENGINE OIL	1	1	
E17-3	16400-Z010110-0000	GEAR ASSY, GOVERNOR	1	1	
E17-4	16061-Z010110-0000	ARM, GOVERNOR	1	1	
E17-5	11007-Z010110-0000	BOLT, DRAIN PLUG	2	1	
E17-6	90408-Z010110-0000	WASHER	2	1	
E17-7	90548-0205-CL	BEARING	1	1	
E17-8	90682-Z300110-0000	SEAL, OIL	1	1	
E17-9	90305-Z010210-01	NUT	1	1	
E17-10	90408-Z010210-0000	WASHER	1	1	
E17-11	90501-Z010110-0000	PIN	1	1	
E17-12	90001-0614-01	BOLT	2	1	

FIG.3 COVER SUBASSEMBLY, CRANKCASE (E01)



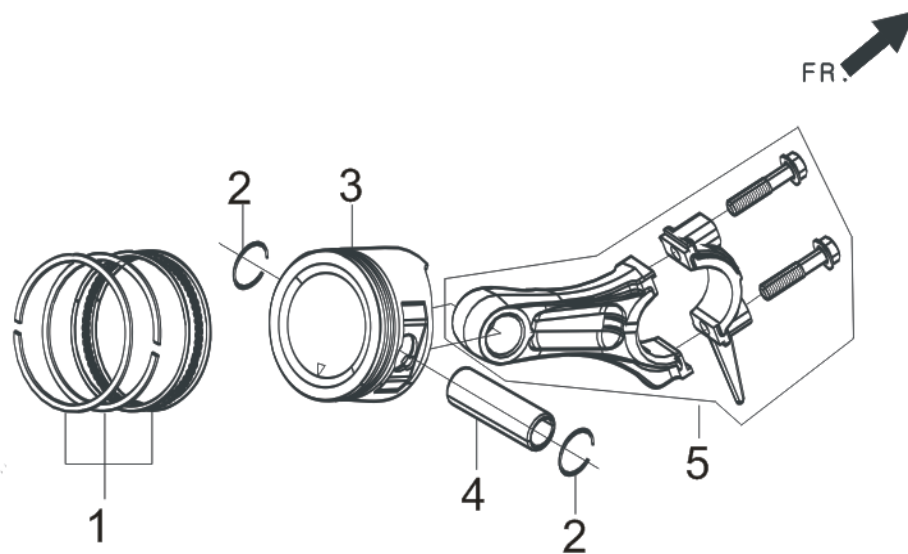
REF.NO.	PART NO	DESCRIPTION	Q'TY		
E01-1	11411-Z010310-0000	COVER, CRANKCASE	1	1	
E01-2	90548-0205-CL	BEARING	1	1	
E01-3	90682-Z300110-0000	SEAL, OIL	1	1	
E01-4	11001-Z010120-0000	GASKET, CRANKCASE	1	1	
E01-5	90502-0812-00	PIN	2	1	
E01-6	15010-Z010130-Q500	DIPSTICK SUBASSEMBLY, OIL	1	1	
E01-7	15030-Z010130-Q500	PLUG SUBASSEMBLY, ENGINE OIL	1	1	
E01-8	90001-0832-01	BOLT	6	1	

FIG.4 ROD,CRANKSHAFT CONNETING (E03)



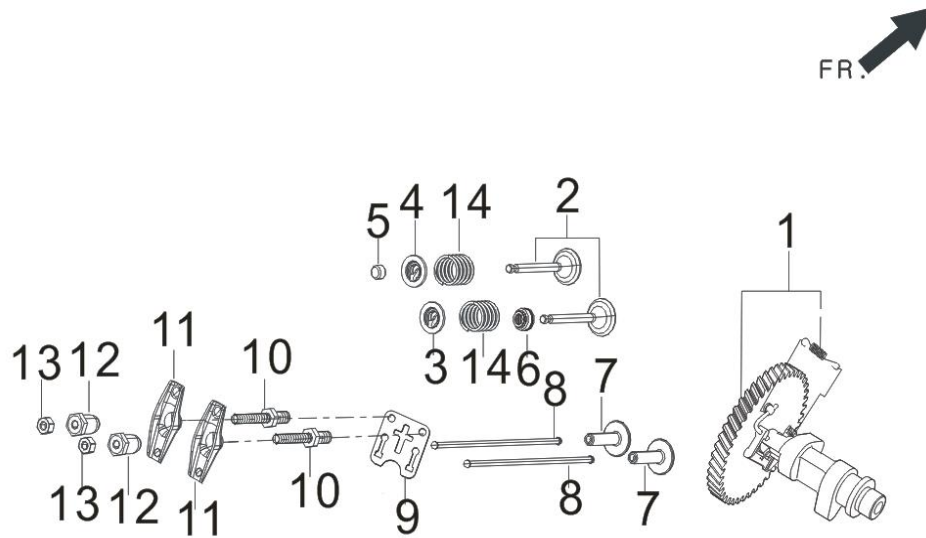
REF.NO.	PART NO		DESCRIPTION	Q'TY		
E03-1	13300-Z140330-0000		CRANKSHAFT ASSY.	1	1	

FIG.5 RING SET,OIL / ROD,CRANKSHAFT CONNETING (E03)



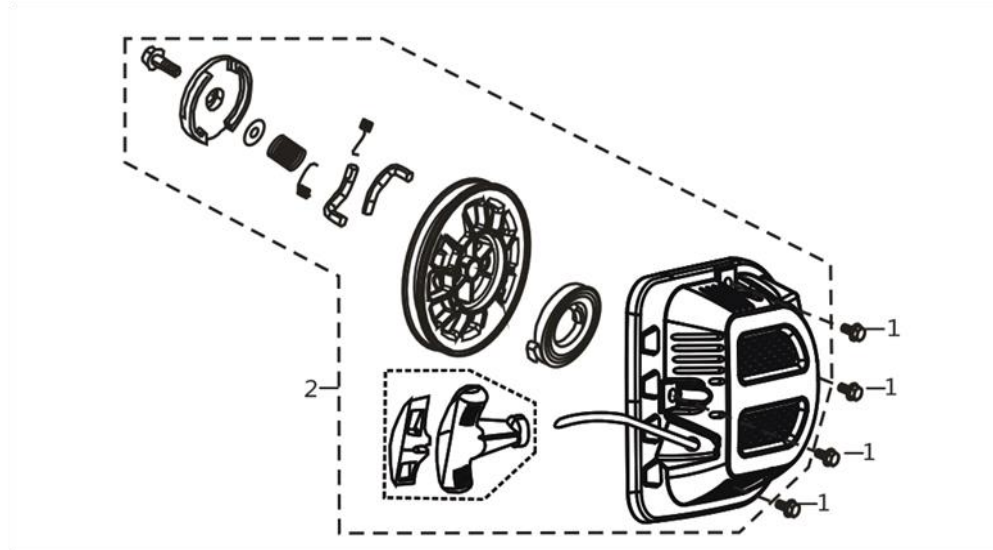
REF.NO.	PART NO		DESCRIPTION	Q'TY		
E03-1	13200-Z140210-0099		PISTON RINGS SET	1	1	
E03-2	13122-Z010110-0000		CLIP, PISTON PIN	2	1	
E03-3	13111-Z140220-0099		PISTON ASSY.	1	1	
E03-4	13121-Z010110-0000		PIN, PISTON	1	1	
E03-5	13010-Z440210-0099		ROD, CONNECTING	1	1	

FIG.6 TRAIN, VALVE / CAMSHAFT SUBASSEMBLY (E05)



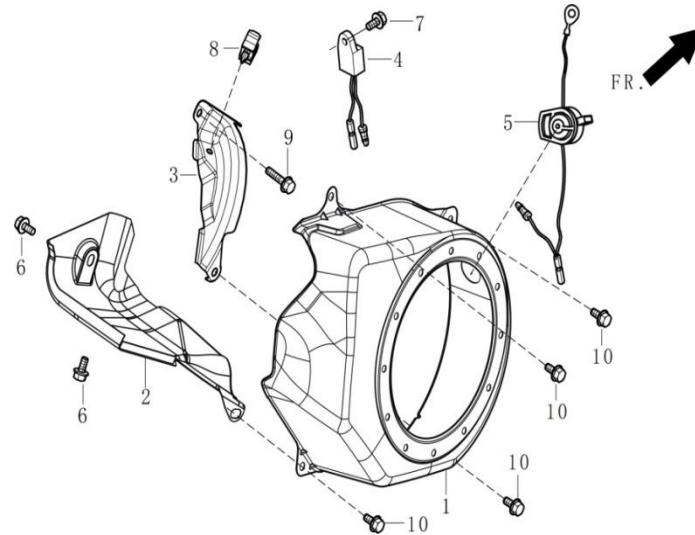
REF.NO.	PART NO	DESCRIPTION	Q'TY		
E05-1	14200-Z300210-0000	CAMSHAFT ASSY.	1	1	
E05-2	12110-Z010110-0000	VALVES SET	1	1	
E05-3	12112-Z010110-0000	SEAT, VALVE SPRING	1	1	
E05-4	12107-Z010110-0000	RETAINER , EXHAUST VALVE	1	1	
E05-5	12104-Z010110-0000	ROTATOR, VALVE	1	1	
E05-6	12101-Z010110-0000	GUIDE, SEAL	1	1	
E05-7	14081-Z040110-0000	TAPPET, VALVE	2	1	
E05-8	14071-Z440110-0000	LIFTER, VALVE	2	1	
	14071-Z010110-0000	LIFTER, VALVE	2	1	
E05-9	14090-Z010110-0000	PLATE SUBASSEMBLY, LIFTER STOPPER	1	1	
E05-10	14313-Z010110-0000	BOLT, VALVE ADJUSTING	2	1	
E05-11	14311-Z010110-0000	ROCKER, VALVE	2	1	
E05-12	14314-Z010110-0000	NUT , VALVE ADJUSTING	2	1	
E05-13	14312-Z010110-0000	NUT, VALVE LOCK	2	1	
E05-14	12103-Z010110-0000	SPRING, VALVE	2	1	

FIG.7 STARTER,RECOIL (E08)

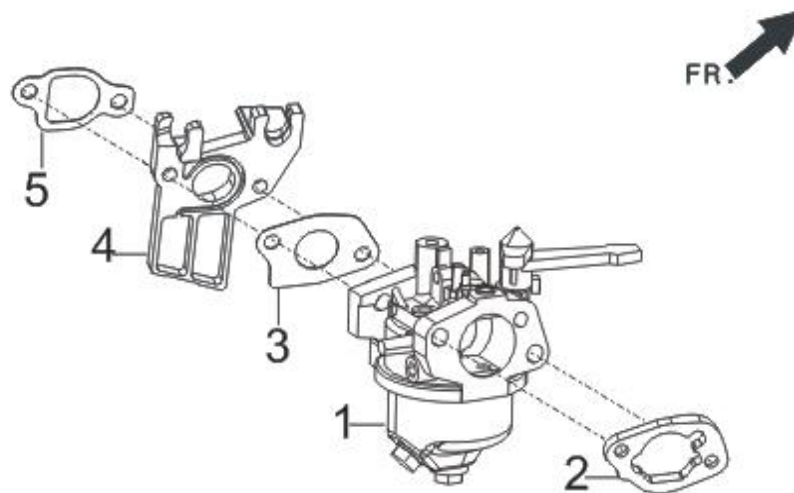


REF.NO.	PART NO		DESCRIPTION	Q'TY		
E08-1	90001-0612-03		BOLT	4	1	
E08-2	28200-Z010320-Q200		STARTER ASSY, RECOIL	1	1	

FIG.8 SHROUD / SHIELD,LOWER (E14)

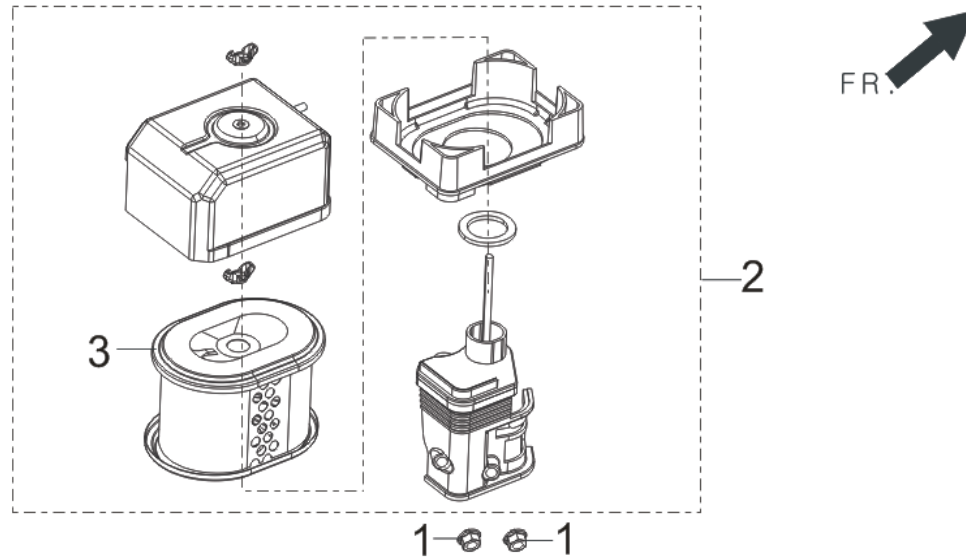


REF.NO.	PART NO		DESCRIPTION	Q'TY		
E14-1	28110-Z010410-RD00		SHROUD	1	1	
E14-2	19304-Z010710-0000		SHROUD, CYLINDER BODY	1	1	
E14-3	19340-Z010510-0000		SHIELD,LOWER	1	1	
E14-4	37050-Z010210-0000		PROTECTOR, OIL	1	1	
E14-5	35540-Z060140-Q200		SWITCH SUBASSEMBLY, STOP ENGINE	1	1	
E14-6	90001-0610-01		BOLT	2	1	
E14-7	90001-0610-01		BOLT	1	1	
E14-8	90740-Z010110-0000		COLLAR	1	1	
E14-9	90001-0616-01		BOLT	1	1	
E14-10	90001-0612-01		BOLT	4	1	

FIG.9 CARBURETOR ASSY. (E11)

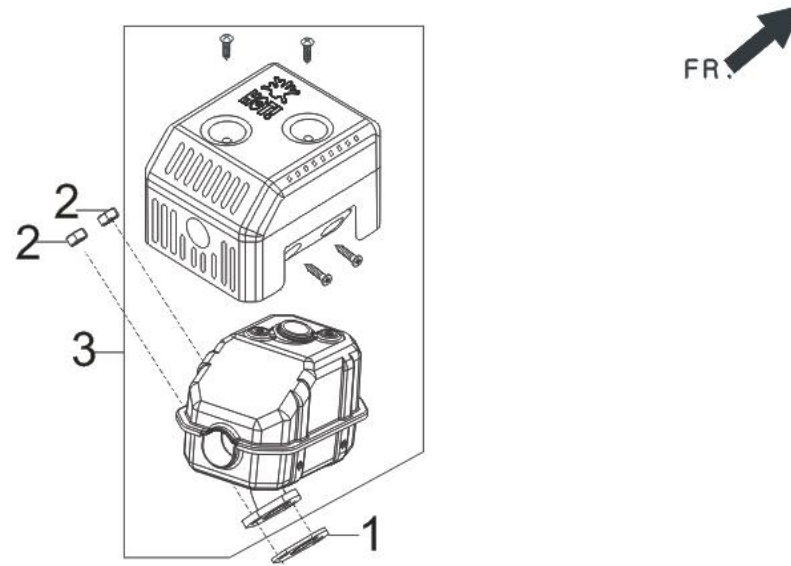
REF.NO.	PART NO		DESCRIPTION	Q'TY		
E11-1	16100-Z040210-0000		CARBURETOR ASSY.	1	1	
E11-2	17001-Z010210-0000		GASKET, AIR CLEANER	1	1	
E11-3	16001-Z010110-0000		GASKET, CARBURETOR	1	1	
E11-4	16003-Z010110-0000		PLATE, CARBURETOR INSULATOR	1	1	
E11-5	16002-Z010110-0000		GASKET, CARBURETOR INSULATOR	1	1	

FIG.10 CLEANER, AIR (F02)



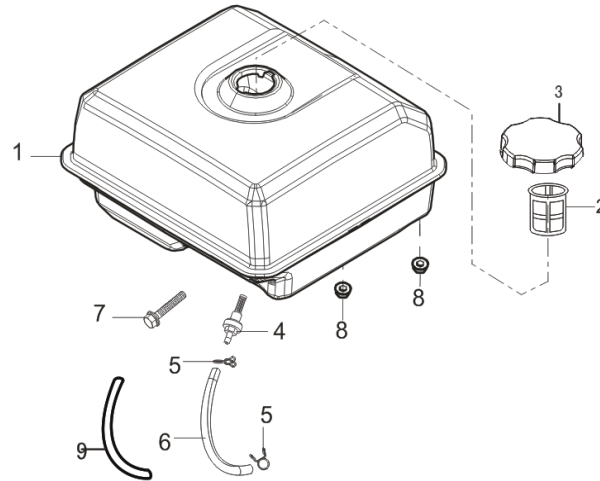
REF.NO.	PART NO		DESCRIPTION	Q'TY		
F02-1	90305-0600-31		NUT	2	1	
F02-2	17100-Z010210-0000		CLEANER, AIR	1	1	
F02-3	17150-Z010110-0000		ELEMENT, AIR CLEANER	1	1	

FIG.11 MUFFLER ASSY. (F04)



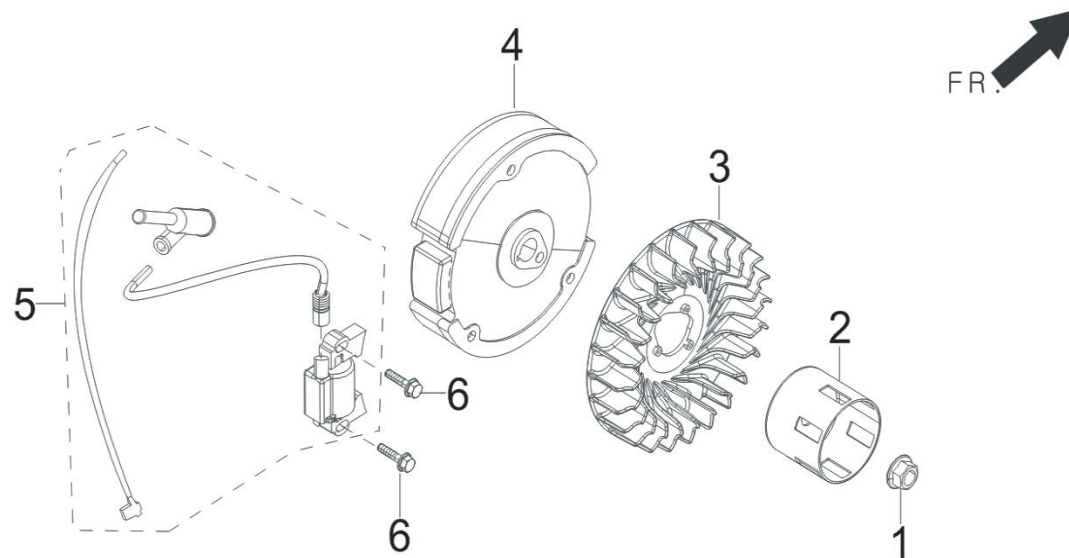
REF.NO.	PART NO		DESCRIPTION	Q'TY		
F04-1	18001-Z010110-0000		GASKET, EXHAUST OUTLET	1	1	
F04-2	90303-0800-31		NUT	2	1	
F04-3	18100-Z010710-H300		MUFFLER ASSY	1	1	

FIG.12 TANK ASSY, FUEL 油箱部件 (F01)



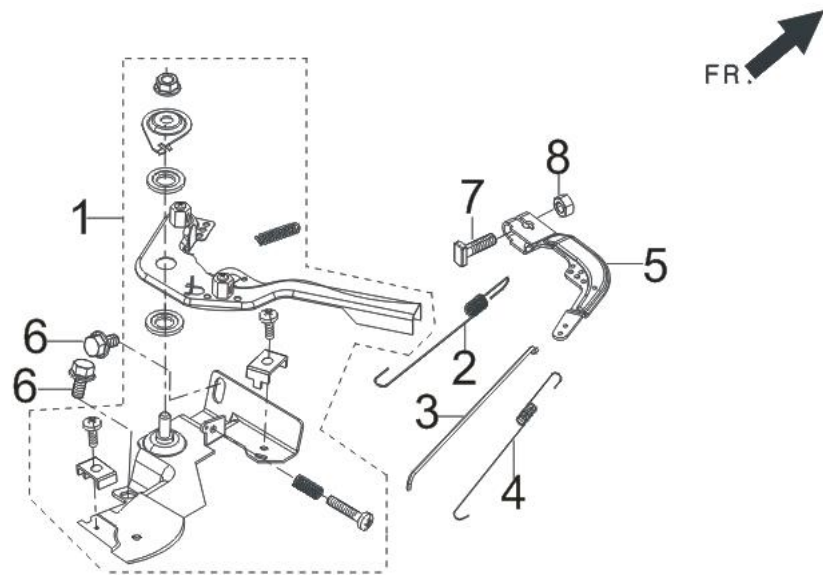
REF.NO.	PART NO		DESCRIPTION	Q'TY		
F01-1	16620-Z440120-H600		TANK, FUEL	1	1	
F01-2	16652-Z010610-0000		STRAINER , FUEL	1	1	
F01-3	16730-Z010820-QB00		COVER, FUEL TANK	1	1	
F01-4	16680-Z010110-0000		OUTLET SUBASSEMBLY, FUEL TANK OIL	1	1	
F01-5	90740-Z010210-0000		CLAMP	2	1	
F01-6	90686-Z010510-0000		TUBE, FUEL	1	1	
F01-7	90007-0630-A1		BOLT	1	1	
F01-8	90305-0600-31		NUT	2	1	
F01-9	30431-Z010110-0000		JACKET, RUBBER	1	1	

FIG.13 FLYWHEEL / IMPELLER / STARTER PULLEY / IGNITION COIL (E15)



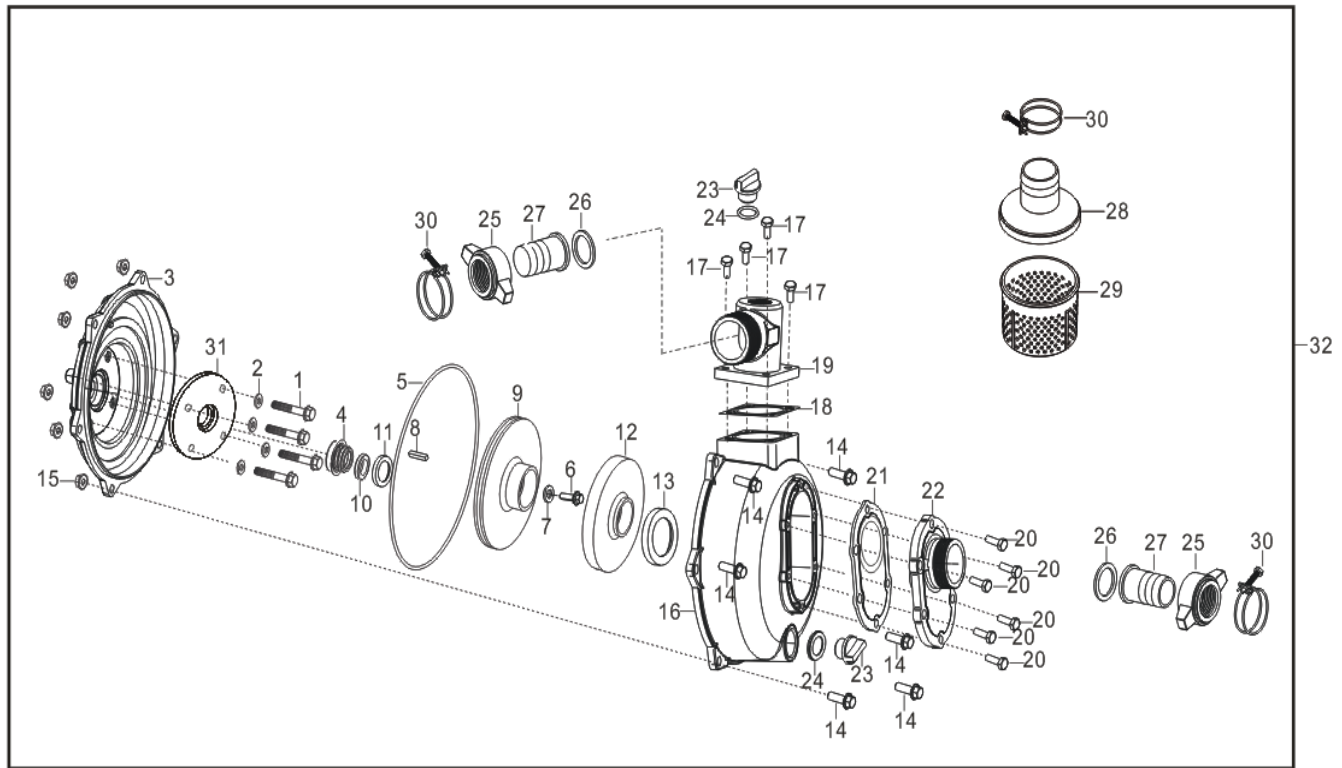
REF.NO.	PART NO		DESCRIPTION	Q'TY		
E15-1	13501-Z010110-0000		NUT	1	1	
E15-2	28002-Z300210-0000		PULLEY,STARTER	1	1	
E15-3	19352-Z010110-0000		IMPELLER	1	1	
E15-4	13510-Z010110-0000		FLYWHEEL SUBASSEMBLY	1	1	
E15-5	30400-Z440410-0100		COIL, IGNITION	1	1	
E15-6	90001-0625-01		BOLT	2	1	

FIG.14 CONTROL ASSY, THROTTLE (E13)



REF.NO.	PART NO		DESCRIPTION	Q'TY		
E13-1	16520-Z010230-0000		CONTROL ASSY, THROTTLE	1	1	
E13-2	16063-Z010110-0000		SPRING, GOVERNOR	1	1	
E13-3	16062-Z010110-0000		ROD, GOVERNEOR	1	1	
E13-4	16012-Z010110-0000		SPRING, THROTTLE VALVE RETURNING	1	1	
E13-5	16070-Z010110-0000		SUPPORT SUBASSEMBLY, GOVERNOR	1	1	
E13-6	90001-0610-01		BOLT	2	1	
E13-7	16072-Z010110-0000		BOLT, GOVERNOR SUPPORT	1	1	
E13-8	90305-0600-31		NUT	1	1	

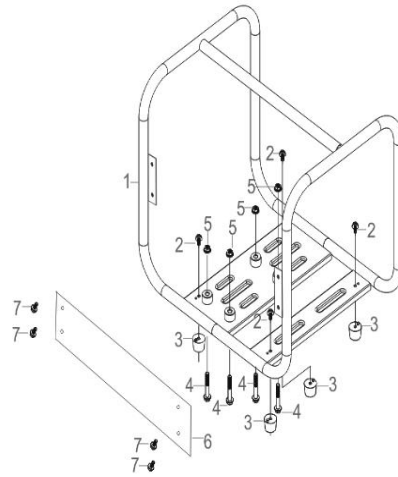
15: (F68)



REF.NO.	PART NO	DESCRIPTION	Q'TY			
F68-1	90001-V070210	BOLT	4	1		
F68-2	90409-V070210	GASKET	4	1		
F68-3	70118-V070410	JOINT, WATER PUMP	1	1		
F68-4	70300-V130210	SEAL ASSY, MECHANISM	1	1		
F68-5	70119-V070410	CUSHION, WATER PUMP JOINT	1	1		

F68-6	90001-V070110		BOLT	1	1		
F68-7	90409-V070210		GASKET	1	1		
F68-8	90522-V130110		KEY	1	1		
F68-9	70102-V070410		IMPELLER, WATER PUMP	1	1		
F68-10	70309-V130210		SEAL, PORCELAIN	1	1		
F68-11	70125-V130210		RING, IMPELLER SEAL	1	1		
F68-12	70103-V070410		CASE, WHORL	1	1		
F68-13	70104-V070410		RIGN, WHORL CASE SEALING	1	1		
F68-14	90001-1035-01		BOLT	6	1		
F68-15	90327-1000-31		NUT	6	1		
F68-16	70105-V070410		PUMP BODY	1	1		
F68-17	90001-0822-01		BOLT	4	1		
F68-18	70109-V070410		GASKET, OUTLET	1	1		
F68-19	70108-V070510		OUTLET, WATER	1	1		
F68-20	90001-0822-01		BOLT	6	1		
F68-21	70115-V070410		GASKET, INLET WATER	1	1		
F68-22	70116-V070510		INLET, WATER	1	1		
F68-23	70107-V070310		PLUG, THREAD	2	1		
F68-24	70122-V070310		WASHER, SCREW PLUG	2	1		
F68-25	70111-V070210		JOINT, HOSE	2	1		
F68-26	70131-V070210		RING, HOSE JOINT SEAL	2	1		
F68-27	70112-V070210		INTERFACE, HOSE	2	1		
F68-28	70113-V070210		COVER, FILTER	1	1		
F68-29	70114-V070210		FILTER	1	1		
F68-30	70400-V070210		HOOP SUBASSEMBLY, HOSE	3	1		
F68-31	90795-V070210		CONNECTING PLATE	1	1		
F68-32	70100-V071010-0K00		PUMP ASSY, WATER	1	1		

FIG.16 FRAME ASSY, ENGINE (F61)



REF.NO.	PART NO		DESCRIPTION	Q'TY			
F61-1	51100-V022110-H6L0		FRAME ASSY, ENGINE	1	1		
F61-2	90001-0612-03		BOLT	4	1		
F61-3	51014HY450110-0000		SEAT, ENGINE FRAME SHOCK ABSORPTION	4	1		
F61-4	90001-0850-01		BOLT	4	1		
F61-5	90327-0800-31		NUT	8	1		
F61-6	51025-V020210-H600		DECORATIVE FRAME	1	1		
F61-7	90001-0610-01		BOLT	4	1		