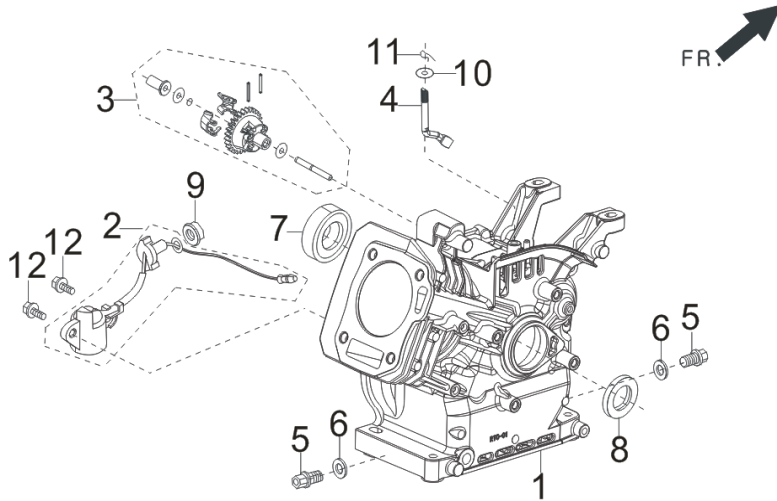


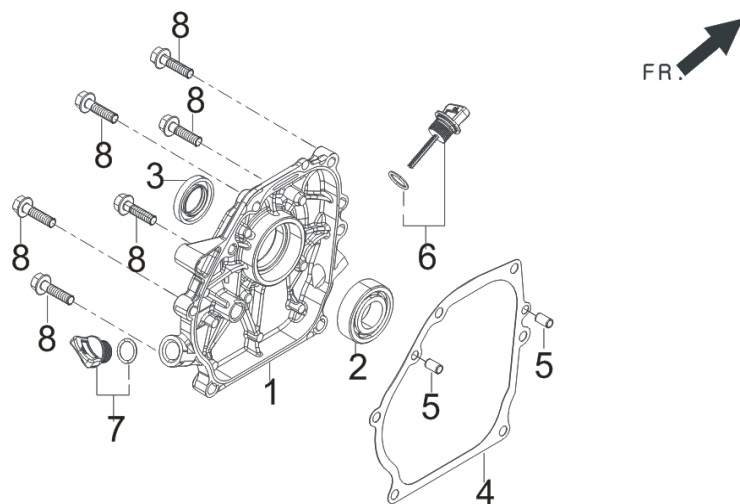
MOTOBOMBA MRV-80

FIG.1 CONJUNTO BANCADA



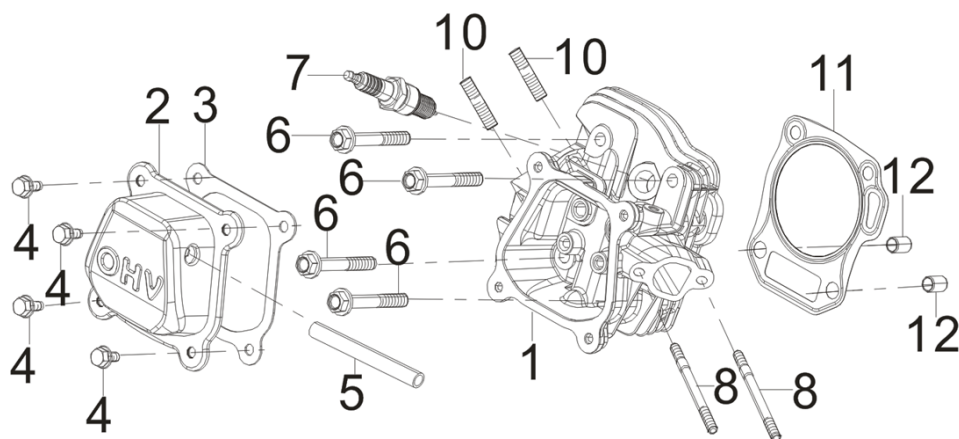
REF.NO.	PART NO	DESCRIPTION	Q'TY
E01-1	11310-Z530420-0099	CRANKCASE SUBASSEMBLY.	1
E01-2	37060-Z010120-0000	SENSOR, ENGINE OIL	1
E01-3	16400-Z010110-0000	GEAR ASSY, GOVERNOR	1
E01-4	16061-Z010110-0000	ARM, GOVERNOR	1
E01-5	11007-Z010110-0000	BOLT, DRAIN PLUG	2
E01-6	90408-Z010110-0000	WASHER , FLAT	2
E01-7	90547-0205-CL	BEARING , DEEP GROOVE BALL	1
E01-8	90682-Z300110-0000	SEAL, OIL	1
E01-9	90305-Z010210-01	NUT	1
E01-10	90408-Z010210-0000	WASHER , FLAT	1
E01-11	90501-Z010110-0000	PIN	1
E01-12	90001-0614-01	BOLT	2

FIG.2 TAPA POSTERIOR MOTOR



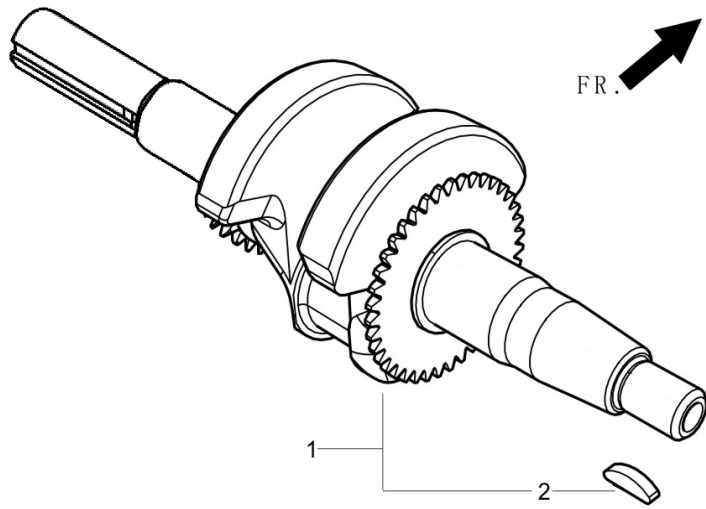
REF.NO.	PART NO	DESCRIPTION	Q'TY
E02-1	11411-Z440410-0000	COVER, CRANKCASE	1
E02-2	90547-0205-CL	BEARING , DEEP GROOVE BALL	1
E02-3	90682-Z300110-0000	SEAL, OIL	1
E02-4	11001-Z440110-0000	GASKET, CRANKCASE	1
E02-5	90502-0912-00	PIN	2
E02-6	15010-Z010130-Q500	DIPSTICK SUBASSEMBLY, OIL	1
E02-7	15030-Z010130-Q500	PLUG SUBASSEMBLY, ENGINE OIL	1
E02-8	90001-0832-01	BOLT	6

FIG.3 CONJUNTO CULATA



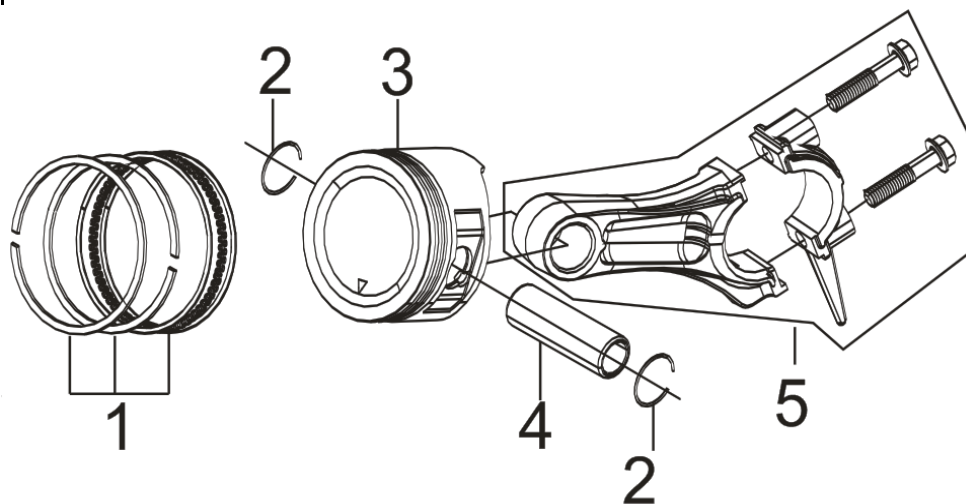
REF.NO.	PART NO	DESCRIPTION	Q'TY
E03-1	12140-Z810210-0000	HEAD SUBASSEMBLY, CYLINDER	1
E03-2	12410-Z300120-0000	COVER SUBASSEMBLY, CYLINDER HEAD	1
E03-3	12004-Z010110-0000	GASKET, CYLINDER HEAD COVER	1
E03-4	90001-0612-01	BOLT	4
E03-5	17004-Z440110-0000	TUBE, BREATHER	1
E03-6	12003-Z010110-0000	BOLT, CYLINDER HEAD	4
E03-7	30010-Z010110-0000	PLUG, SPARK	1
E03-8	90204-Z010310-0000	BOLT	2
E03-10	90203-Z010110-0000	BOLT	2
E03-11	12131-Z950110-0000	GASKET, CYLINDER HEAD	1
E03-12	90502-1114-00	PIN	2

FIG.4 CIGÜEÑAL



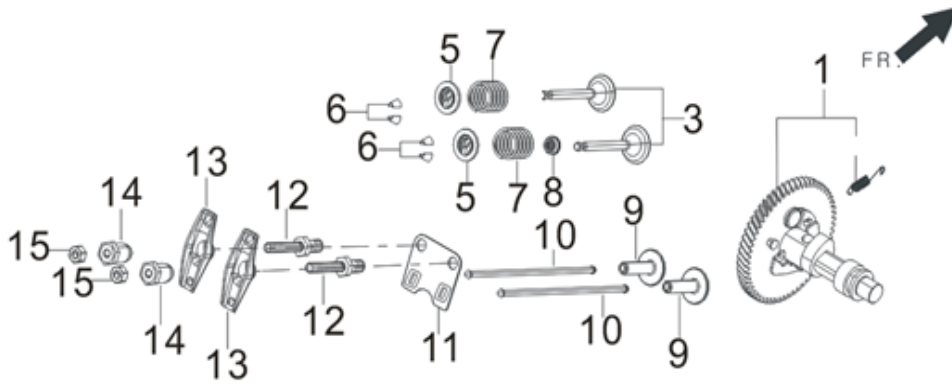
REF.NO.	PART NO	DESCRIPTION	Q'TY
E04-1	13300-Z532510-0000	CRANKSHAFT ASSY.	1

FIG.5 RING SET,OIL / ROD,CRANKSHAFT CONNETING



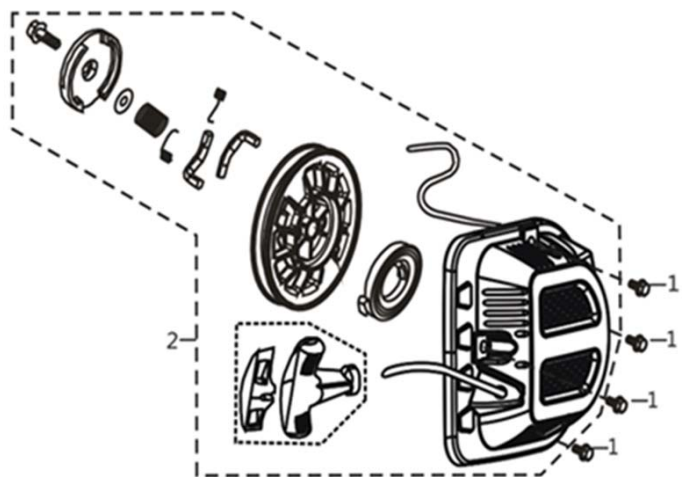
REF.NO.	PART NO	DESCRIPTION	Q'TY
E05-1	13200-Z140210-0099	RING ASSY, PISTON	1
E05-2	13122-Z010110-0000	CLIP, PISTON PIN	2
E05-3	13111-Z140220-0099	PISTON	1
E05-4	13121-Z010110-0000	PIN, PISTON	1
E05-5	13010-Z440210-0099	ROD, CONNECTING	1

FIG.6 VALVULAS Y ARBOL DE LEVAS



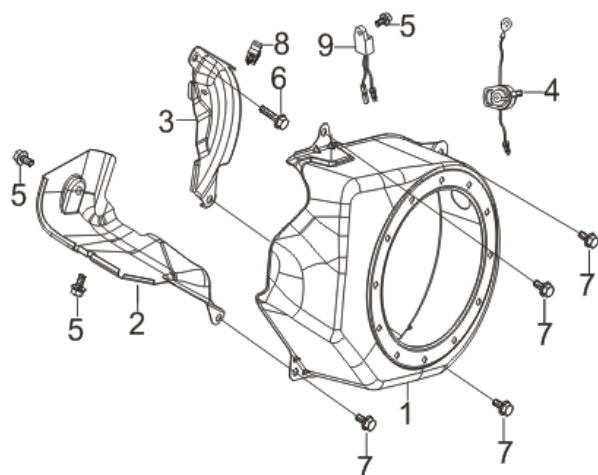
REF.NO.	PART NO	DESCRIPTION	Q'TY
E06-1	14200-Z530210-0099	CAMSHAFT ASSY.	1
E06-3	12110-Z810120-0099	VALVES SET	1
E06-5	12112-Z810210-0000	SEAT, VALVE SPRING	2
E06-6	12109-Z810110-0000	CLAMP, VALVE LOCK	4
E06-7	12103-Z010110-0000	SPRING, VALVE	2
E06-8	12101-Z810210-0000	GUIDE, SEAL	1
E06-9	14081-Z040110-0000	TAPPET, VALVE	2
E06-10	14071-Z440110-0000	LIFTER, VALVE	2
E06-11	14090-Z010110-0000	PLATE SUBASSEMBLY, LIFTER STOPPER	1
E06-12	14313-Z010110-0000	BOLT, ROCKER SHAFT	2
E06-13	14311-Z010110-0000	ROCKER, VALVE	2
E06-14	14314-Z010110-0000	NUT , VALVE ADJUSTING	2
E06-15	14312-Z010110-0000	NUT, VALVE LOCK	2

FIG.7 ARRANQUE REVERSIBLE



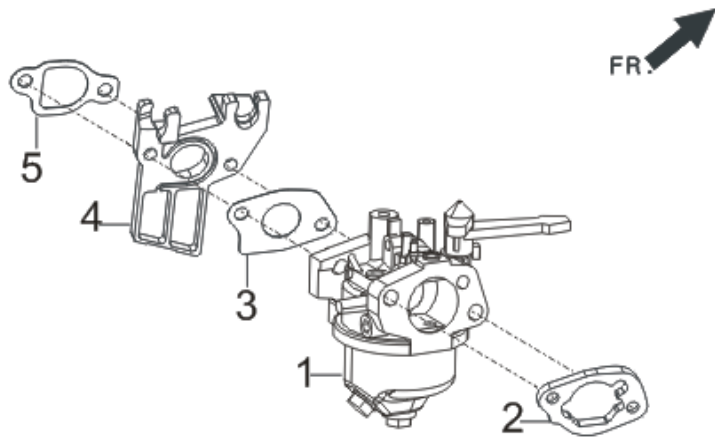
REF.NO.	PART NO	DESCRIPTION	Q'TY
E07-1	90001-0612-01	BOLT	4
E07-2	28200-Z010320-Q200	STARTER ASSY, RECOIL	1

FIG.8 VOLUTA MOTOR



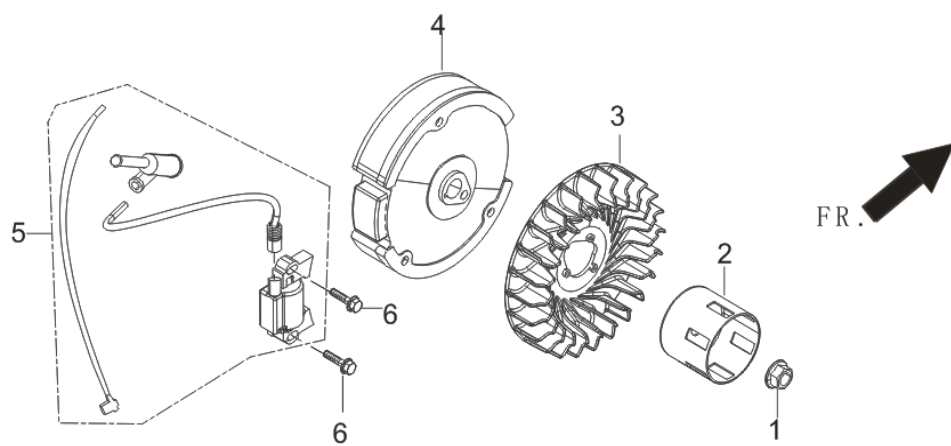
REF.NO.	PART NO	DESCRIPTION	Q'TY
E08-1	28110-Z010410-RD00	SHROUD	1
E08-2	19304-Z010610-0000	SHROUD, CYLINDER BODY	1
E08-3	19340-Z010810-0000	SHIELD, LOWER	1
E08-4	35540-Z060140-Q200	SWITCH SUBASSEMBLY, STOP ENGINE	1
E08-5	90001-0610-01	BOLT	3
E08-6	90001-0616-01	BOLT	1
E08-7	90001-0612-01	BOLT	4
E08-8	90740-Z010110-0000	COLLAR	1
E08-9	37050-Z010210-0000	PROTECTOR, OIL	1

FIG.9 CONJUNTO CARBURADOR



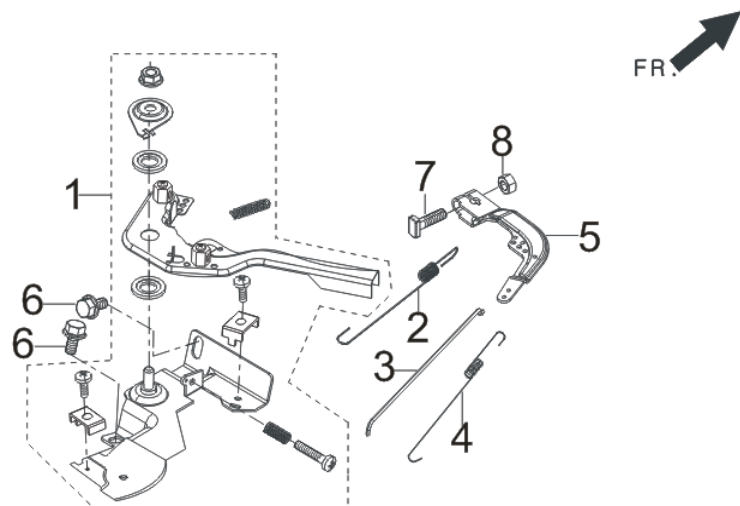
REF.NO.	PART NO	DESCRIPTION	Q'TY
E09-1	16100-Z530610-0099	CARBURETOR ASSY.	1
E09-2	17001-Z010210-0000	GASKET, AIR CLEANER	1
E09-3	16001-Z010110-0000	GASKET, CARBURETOR	1
E09-4	16003-Z010110-0000	PLATE, CARBURETOR INSULATOR	1
E09-5	16002-Z050110-0000	GASKET, CARBURETOR INSULATOR	1

FIG.10 ENCENDIDO Y VOLANTE MOTOR



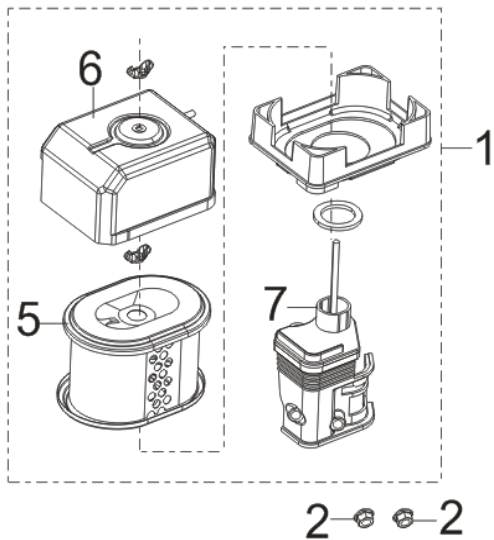
REF.NO.	PART NO	DESCRIPTION	Q'TY
E10-1	13501-Z010110-0000	NUT, FLYWHEEL	1
E10-2	28002-Z300210-0000	PULLEY,STARTER	1
E10-3	19352-Z440110-0000	IMPELLER	1
E10-4	13510-Z440410-0000	FLYWHEEL SUBASSEMBLY	1
E10-5	30400-Z440410-0100	COIL, IGNITION	1
E10-6	90001-0625-01	BOLT	2

FIG.11 MANDO REGULADOR



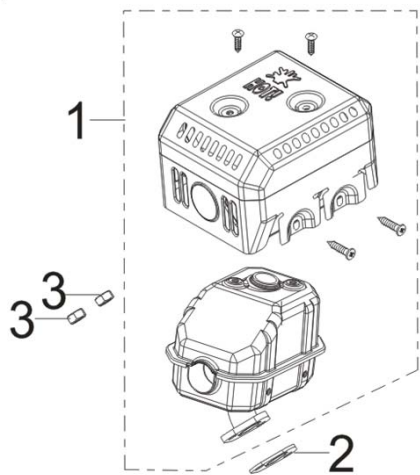
REF.NO.	PART NO	DESCRIPTION	Q'TY
E11-1	16520-Z010230-0000	CONTROL ASSY, THROTTLE	1
E11-2	16063-Z050410-0000	SPRING, GOVERNOR	1
E11-3	16062-Z010110-0000	ROD, GOVERNEOR	1
E11-4	16012-Z010110-0000	SPRING, THROTTLE VALVE RETURNING	1
E11-5	16070-Z010110-0000	SUPPORT SUBASSEMBLY, GOVERNOR	1
E11-6	90001-0610-01	BOLT	2
E11-7	16072-Z010110-0000	BOLT, GOVERNOR SUPPORT	1
E11-8	90305-0600-31	NUT	1

FIG.12 FILTRO AIRE



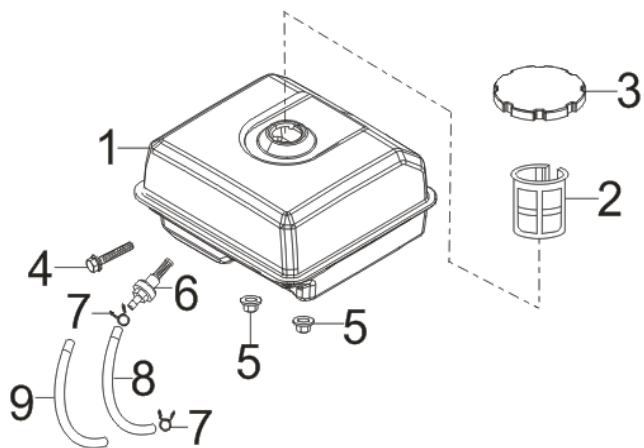
REF.NO.	PART NO	DESCRIPTION	Q'TY
F01-1	17100-Z010210-0000	CLEANER, AIR	1
F01-2	90305-0600-31	NUT	2
F01-5	17150-Z010110-0000	ELEMENT, AIR CLEANER	1

FIG.13 SILENCIADOR



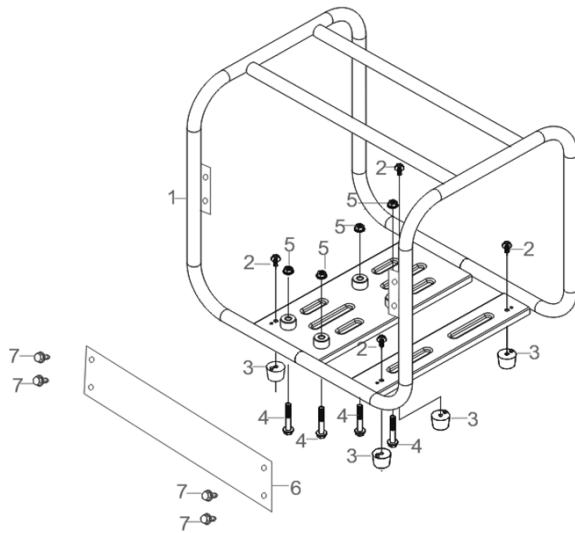
REF.NO.	PART NO	DESCRIPTION	Q'TY
F02-1	18100-Z014310-H300	MUFFLER ASSY.	1
F02-2	18001-Z440110-0000	GASKET, EXHAUST OUTLET	1
F02-3	90303-0800-31	NUT	2

FIG.14 DEPOSITO



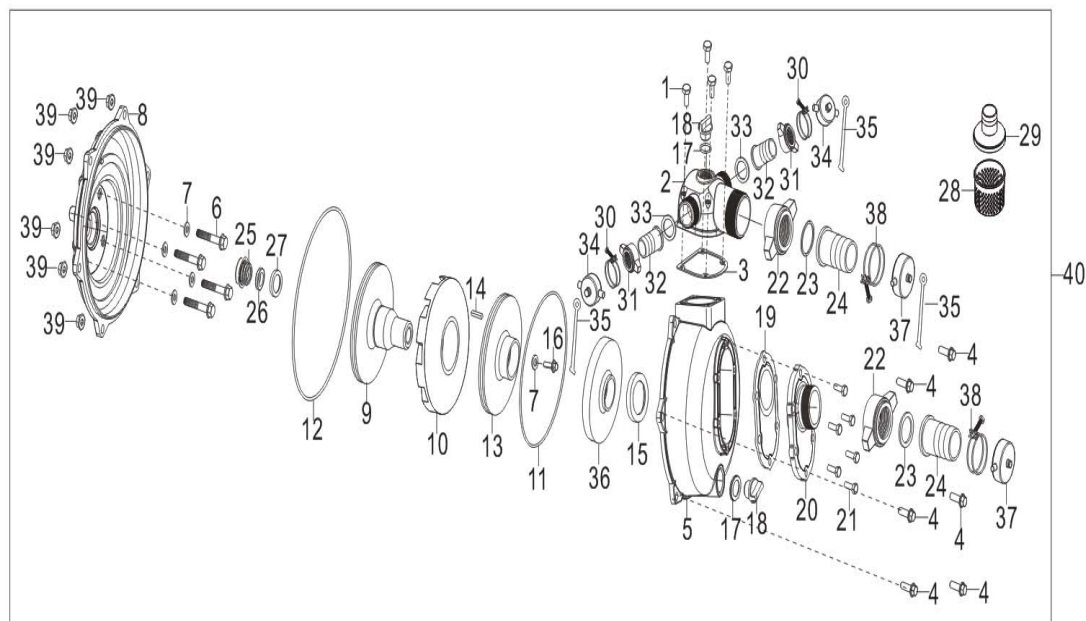
REF.NO.	PART NO	DESCRIPTION	Q'TY
F03-1	16620-Z440120-H600	TANK, FUEL	1
F03-2	16652-Z010810-0000	STRAINER , FUEL	1
F03-3	16730-Z010820-QB00	COVER, FUEL TANK	1
F03-4	90001-0630-01	BOLT	1
F03-5	90305-0600-31	NUT	2
F03-6	16680-Z010110-0000	OUTLET SUBASSEMBLY, FUEL TANK OIL	1
F03-7	90740-Z010210-0000	COLLAR	2
F03-8	90686-Z010510-0000	TUBE, FUEL	1
F03-9	30431-Z010110-0000	JACKET, RUBBER	1

FIG.15 CHASIS MOTOR



REF.NO.	PART NO	DESCRIPTION	Q'TY
F04-1	51100-V022110-H6L0	FRAME ASSY, ENGINE	1
F04-2	90001-0610-01	BOLT	4
F04-3	51014HY450110-0000	SEAT, ENGINE FRAME SHOCK ABSORPTION	4
F04-4	90001-0850-01	BOLT	4
F04-5	90327-0800-31	NUT	4
F04-6	51025-V020210-H600	DECORATIVE FRAME	1
F04-7	90001-0612-03	BOLT	4

FIG.16 CONJUNTO BOMBA



REF.NO.	PART NO	DESCRIPTION	Q'TY
F61-1	90001-0825-01	BOLT	4
F61-2	70108-V070810-0K00	OUTLET , WATER	1
F61-3	70109-V070310-0000	GASKET , OUTLET	1
F61-4	90001-1035-01	BOLT	6
F61-5	70105-V070510-0K00	PUMP BODY	1
F61-6	90001-V010210-0000	BOLT	4
F61-7	90409-V010110-0000	GASKET	5
F61-8	70118-V100110-0K00	JOINT, WATER PUMP	1
F61-9	70251-V100110-0000		1
F61-10	70126-V100110-0000	SLEEVE, IMPELLER	1
F61-11	70136-V100110-0000		1
F61-12	70119-V070210-0000	CUSHION, WATER PUMP JOINT	1
F61-13	70252-V100110-0000		1
F61-14	90522-V100110-0000	Flat key	1

F61-15	70104-V070510-0000	RIGN , WHORL CASE SEALING	1
F61-16	90001-0820-01	BOLT	1
F61-17	70122-V070210-0000	WASHER, SCREW PLUG	2
F61-18	70107-V070210-0000	PLUG, THREAD	2
F61-19	70115-V070210-0000	GASKET , INLET WATER	1
F61-20	70116-V070210-0K00	INLET, WATER	1
F61-21	90001-0825-01	BOLT	6
F61-22	70111-V010110-0K00	JOINT, HOSE	2
F61-23	70131-V010110-0000	RING, HOSE JOINT SEAL	2
F61-24	70112-V010110-0K00	INTERFACE, HOSE	2
F61-25	70300-V070210-0000	SEAL ASSY, MECHANISM	1
F61-26	70309-V070210-0000	SEAL, PORCELAIN	1
F61-27	70125-V070210-0000	RING, IMPELLER SEAL	1
F61-28	70114-V010110-0000	FILTER	1
F61-29	70113-V010110-0000	COVER, FILTER	1
F61-30	70400-V050410-0000	HOOP SUBASSEMBLY, HOSE	2
F61-31	70111-V050510-0K00	JOINT, HOSE	2
F61-32	70112-V050510-0K00	INTERFACE, HOSE	2
F61-33	70131-V050110-0000	RING, HOSE JOINT SEAL	2
F61-34	70137-V070110-0000		2
F61-35	70138-V070110-0000		3
F61-36	70103-V100110-0000	CASE, WHORL	1
F61-37	70137-V070210-0000		2
F61-38	70400-V010110-0000	HOOP SUBASSEMBLY, HOSE	2
F61-39	90327-1000-31	NUT	6
F61-40	70100-V100110-RW00	PUMP ASSY, WATER	1