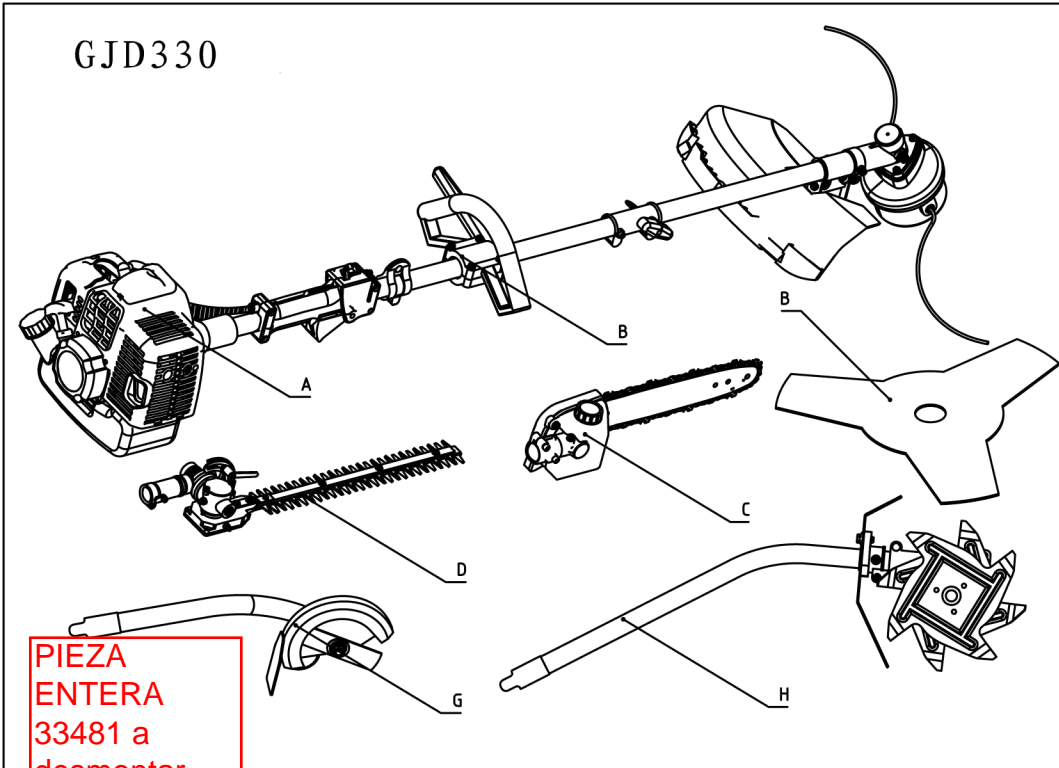
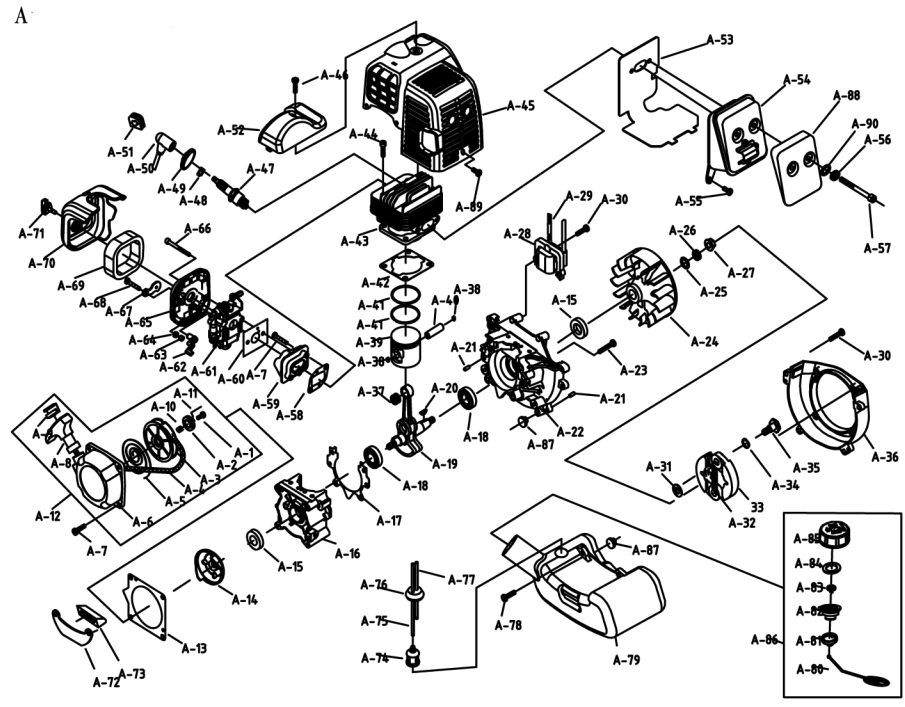


GJD330

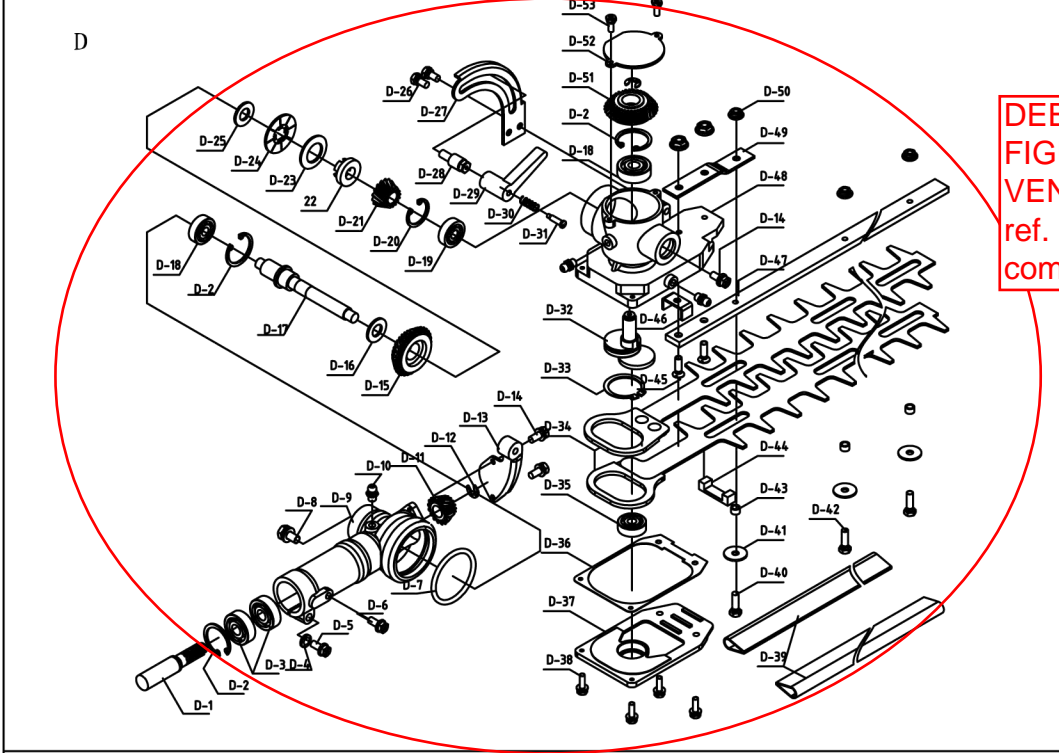
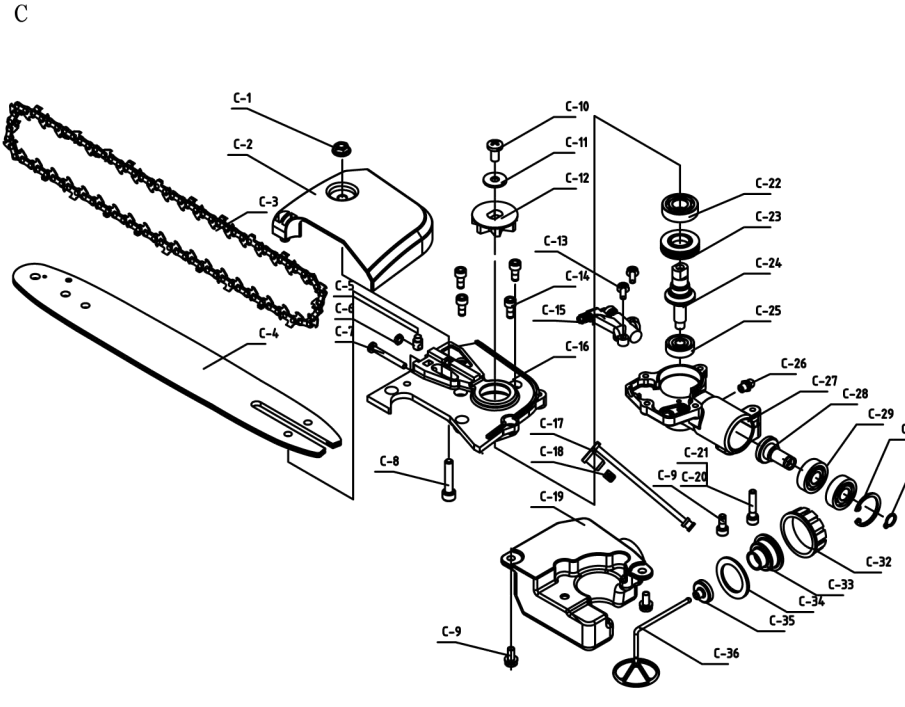
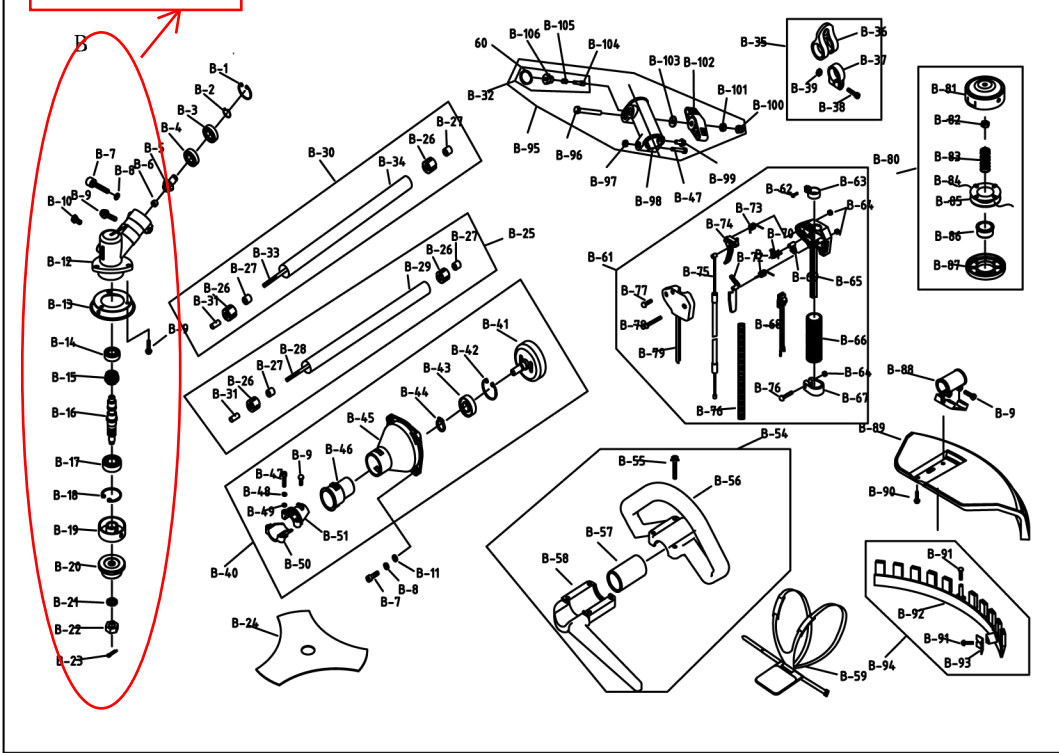


PIEZA ENTERA 33481 a desmontar

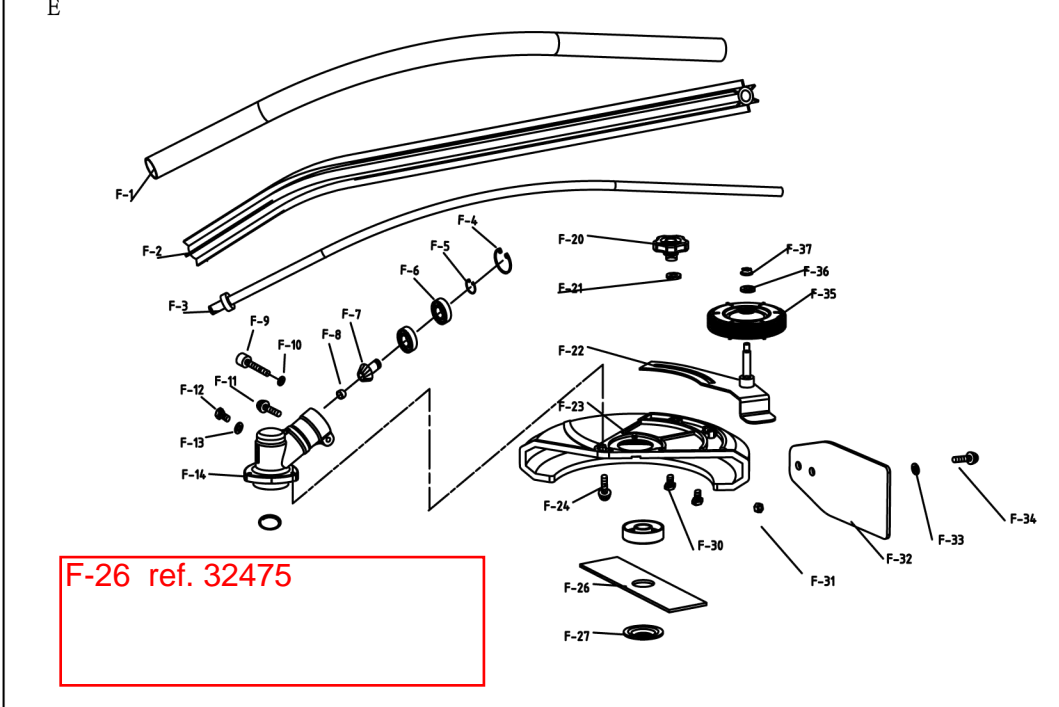
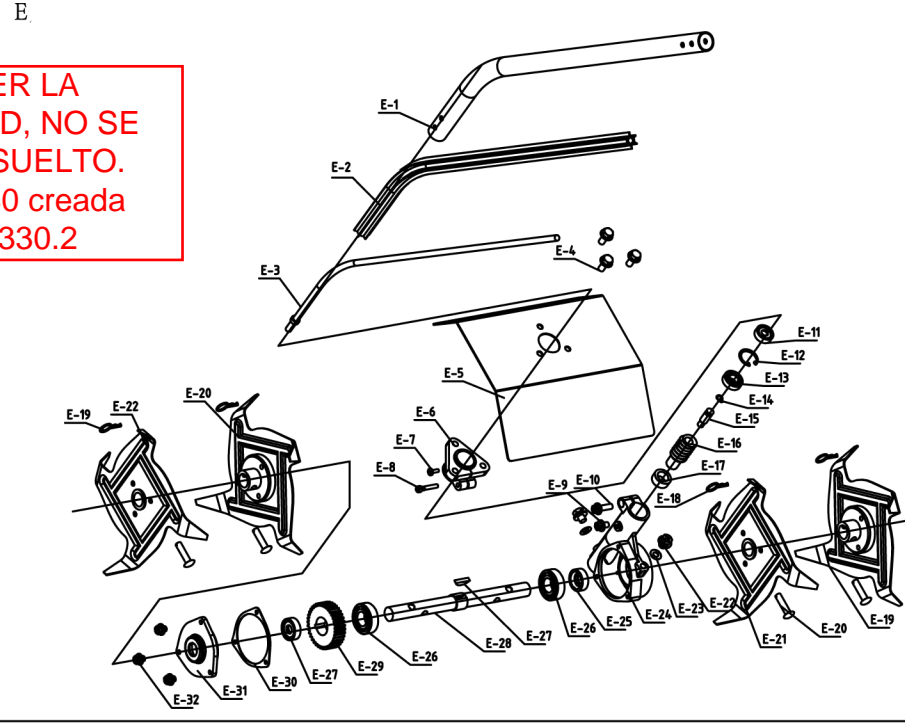


GJD330

A	1E36F-E	1	A-88	1E36F-E-7	1	B-85	CG305F.8-1	1	D-29	GJ330.2.4-1	1	F-30	GB/T12	1
A-1	1E36F-E.9-3	1	A-89	GB9074.4	1	B-86	CG305F.8-7	1	D-30	GJ330.2.4-2	1	F-31	GB/T 6171.1	2
A-2	1E36F-E.9-4	1	A-90	GB97.1	2	B-87	CG305F.8-2	1	D-31	GJ330.2.4-4	1	F-32	GJ330.1-3	1
A-3	1E36F-E.9-1	1	B		1	B-88	BG430.2.6-1	1	D-32	GJ330.2-12	1	F-33	GB/T96.1	2
A-4	1E36F-E.9-5	1	B-1	GB/T893.2	1	B-89	GB/T845	3	D-33	GB/T894.1	1	F-34	GB/T810	2
A-5	1E36F-E.9-7	1	B-2	GB/T894.1	1	B-90	GB/T9074.4	4	D-34	GJ330.2.3	1	F-35	GJ330.1.3	1
A-6	1E36F-E.9-8	1	B-3	GB/T276	1	B-91	CG420.7.1-1	1	D-35	GB/T276	1	F-36	GB/T96.1	1
A-7	GB9074.4	6	B-4	GB/T276	1	B-92	CG420.7.1.1-1	1	D-36	GJ330.2-17	1	F-37	GB/T 6171.1	1
A-8	1E40FP-32.4-2	1	B-5	CG415D.6-4	1	B-93	CG420.7.1.1-2A	1	D-37	GJ330.2-14	1			
A-9	1E40FP-32.4-1	1	B-6	CG415.3-1	1	B-94	CG420.7.1.1	1	D-38	GB9074.13	4			
A-10	1E36F-E.9-6	1	B-7	GB/T70.1	5	B-95	CG260BF.1.2	1	D-39	GJ330.2-3	1			
A-11	1E36F-E.9-2	2	B-8	GB/T93	5	B-96	GB/T5781	1	D-40	GB/T29.2	1			
A-12	1E36F-E.9	1	B-9	GB/T9074.4	4	B-97	GB/T6170	1	D-41	GJ330.2-6	4			
A-13	1E40F-5-10	1	B-10	GB/T9074.11	1	B-98	CG260BF.1.2-2	1	D-42	GB/T29.2	3			
A-14	1E36F-E.7	1	B-11	GB/T97.1	4	B-99	GB/T5789	1	D-43	GJ330.2-8	1			
A-15	1E36F.2	2	B-12	BG305.12.4-4	1	B-100	GB/T923	1	D-44	GJ330.2-10	1			
A-16	1E36F-E.8-2	1	B-13	BG330H.7.3-1	1	B-101	GB/T6170	1	D-45	GB/T68	2			
A-17	1E36F-2.6-3	1	B-14	GB/T276	1	B-102	CG260BF.1.2-1	1	D-46	GJ330.2-16	1			
A-18	GB/T276	2	B-15	BG-328.9.5-2	1	B-103	GB/T96	1	D-47	GJ330.2-7	1			
A-19	1E36F-E.4.1	1	B-16	CG305F.1-1	1	B-104	BG305.2.1-1	1	D-48	GJ330.2-5	1			
A-20	GB1099	1	B-17	GB/T276	1	B-105	BG305.2.1-2	1	D-49	GJ330.2-9	1			
A-21	GB119	4	B-18	GB/T893.2	1	B-106	BG305.2.1-3	1	D-50	GB/T 6171.1	1			
A-22	1E36F-E.8-1	1	B-19	BG305.12.4-5	1	C	GJ330.1	1	D-51	GJ330.2-13	1			
A-23	GB70.1	4	B-20	CG305F.1-3	1	C-1	GB/T6177	1	D-52	GJ330.2-11	1			
A-24	1E36F-2E.2.1.1	1	B-21	GB/T862.1	1	C-2	GJ330.15	1	D-53	GB/T9074.12	2			
A-25	GB/T859	1	B-22	CG305F.1-4	1	C-3	LY/T1187	1	E	GJ330.2	1			
A-26	GB/T97.1	1	B-23	GB/T91	1	C-4	GJ330.14	1	E-1	GJ330.2.1A	1			
A-27	GB6170	1	B-24	CG420-2	1	C-5	GJ330.13-2	1	E-2	GJ330.2.1-2A	1			
A-28	1E36F-2E.2.1.2	1	B-25	CG260BF.1.3.1	1	C-6	GB/T889.1	1	E-3	GJ330.2.1.1A	1			
A-29	1E36F-2.3.1	1	B-26	BG-328.9.4-5	6	C-7	GB/T818.1	1	E-4	GB/T5789	3			
A-30	GB9074.13	6	B-27	BG-328.9.4-4	6	C-8	GB/T70.1	1	E-5	GJ330.2-1	1			
A-31	1E36F-3	2	B-28	CG260BF.1.1-1	1	C-9	GB/T9074.4	2	E-6	GJ330.2.5	1			
A-32	1E36F-E.6A-	1	B-29	CG260BF.1.1-2	1	C-10	GB70.1	1	E-7	GB/T9074.13	1			
A-33	1E36F-2C.4.1	2	B-30	CG260BF.1.1	1	C-11	GB/T96.1	1	E-8	GB/T9074.13	1			
A-34	1E40F-5-11	2	B-31	Ø10XØ6X2	2	C-12	GJ330.1-2A	1	E-9	GB/T9074.13	1			
A-35	1E40F-5-12	2	B-32	BG305.2.1	1	C-13	GB/T70.1	2	E-10	GB/T9074.13	1			
A-36	1E36F-E.5	1	B-33	CG260BF.1.3.1-1	1	C-14	GB/T70.1	4	E-11	GJ330.2.4.1	1			
A-37	1E36F-2.4.1	1	B-34	CG260BF.1.3.1-2	1	C-15	GJ330.1.1.1	1	E-12	GB/T893.1	1			
A-38	1E36F.10-2	2	B-35	CG260.3	1	C-16	GJ330.1.3-1	1	E-13	GB/T276	1			
A-39	1E36F-E.4-1	1	B-36	CG260.3.1	1	C-17	GJ330.1.1.2-1	1	E-14	GB/T894.1	1			
A-40	1E36F.10-1	1	B-37	CG260.3-1	1	C-18	GJ330.1.1.2.1	1	E-15	GJ330.2.4.3	1			
A-41	1E36F.10-3	2	B-38	GB/T70.1	1	C-19	GJ330.1.2.1	1	E-16	GJ330.2.4.3-2	1			
A-42	1E36F-E.3	1	B-39	GB/T889.1	2	C-20	GB/T70.1	1	E-17	GJ330.2.4-7	1			
A-43	1E36F-2E-1	1	B-40	CG260A.1A	1	C-21	GB/T93	1	E-18	3WG1200-3	4			
A-44	GB/T70.1	4	B-41	CG260A.1A.1	1	C-22	GB/T276	1	E-19	GJ330.2.2	2			
A-45	1E36F-E.5	1	B-42	GB/T893.1	1	C-23	GJ330.1.1-3	1	E-20	GJ330.2-2	4			
A-46	GB9074.4	1	B-43	GB/T276	1	C-24	GJ330.1.1.3	1	E-21	GJ330.2.3	2			
A-47	L8RTC	1	B-44	GB/T894.1	1	C-25	GB/T276	1	E-22	GB/T9074.13	1			
A-48	1E40F-3A.8-2	1	B-45	CG261.1-1	1	C-26	GB/T1152	1	E-23	GJ330.2.4-2	2			
A-49	1E34F.5-3	1	B-46	CG305F.14-2	1	C-27	GJ330.1.1-1	1	E-24	GJ330.2.4-7	1			
A-50	1E34F.5-2	1	B-47	GB/T70.1	3	C-28	GJ330.1.1-4	1	E-25	GJ330.2.4.2	1			
A-51	1E40F-5.3-1	1	B-48	GB/T93	2	C-29	GB/T276	2	E-26	GB/T276	1			
A-52	1E36F-E.4	1	B-49	GB/T97.1	2	C-30	GB/T893.2	1	E-27	GB/T1099.1	1			
A-53	1E36F-E.2	1	B-50	CG305F.14-3	1	C-31	GB/T894.1	1	E-28	GJ330.2.4-3	1			
A-54	HA36-2.3	1	B-51	CG305F.14-4	1	C-32	1E32FL.6.2-1	1	E-29	GJ330.2.4-6	1			
A-55	GB9074.4	1	B-52	BG415-1	1	C-33	1E32FL.6.2-2	1	E-30	GJ330.2.4-5	1			
A-56	GB93	2	B-53	CG260A-CE.1	1	C-34	CG420.13.1-2	1	E-31	GJ330.2.4-4	1			
A-57	GB70.1	2	B-54	BG330-CE.1	1	C-35	1E32FL.6.2-3	1	E-32	GB/T9074.13	3			
A-58	1E36F-2-2	1	B-55	GB/T9074.4	4	C-36	1E32FL.6.2-4	1	F	GJ330.1	1			
A-59	1E36F-2A-2	1	B-56	BG330-CE.1-1	1	D	GJ330	1	F-1	GJ330.1.1A	1			
A-60	1E36F-E.11	1	B-57	BG330-CE.1-2	1	D-1	GJ330.2.1	1	F-2	GJ330.1.1.1A	1			
A-61	1E36F-2E.1	1	B-58	BG330-CE.1.1	1	D-2	GB/T893.1	3	F-3	GJ330.1.1-2A	1			
A-62	1E34F.1-2	1	B-59	CG260A-CE.1	1	D-3	GB/T276	2	F-4	GB/T893.2	1			
A-63	1E34F.1-7	1	B-60	BG305.2.1-4	1	D-4	GB/T93	1	F-5	GB/T894.1	1			
A-64	GB/T6170	1	B-61	CG260.2	1	D-5	GB/T70.1	1	F-6	GB/T276	2			
A-65	1E34F.1.1	1	B-62	GB/T9074.4	1	D-6	GB/T9074.11	1	F-7	CG415D.6-4	1			
A-66	GB/T9074.4	2	B-63	CG305F.13.2	1	D-7	GJ330.2-4	1	F-8	CG415.3-1	1			
A-67	1E34F.1-3	1	B-64	GB/T889.1	3	D-8	GB/T9074.13	1	F-9	GB/T70.1	1			
A-68	GB/T845	1	B-65	CG305F.13-4	1	D-9	GJ330.2-1	1	F-10	GB/T93	1			
A-69	1E34F.1-1	1	B-66	CG305F.13-6	1	D-10	GB/T 1152	3	F-11	GB/T9074.4	1			
A-70	1E36F-E.7-1	1	B-67	CG305F.13-5	1	D-11	GJ330.2-2	1	F-12	GB/T29.2	1			
A-71	1E34F.1.2	1	B-68	CG260.2.1	1	D-12	GB/T896	2	F-13	GB/T97.1	1			
A-72	1E36F-E.5	1	B-69	CG305F.13-10	1	D-13	GJ330.2.5	1	F-14	GJ330.1.2-1	1			
A-73	1E40F-5A-2	1	B-70	CG305F.13-11	1	D-14	GB/T9074.13	3	F-15	GB/T276	1			
A-74	1E34F.9.2-3A	1	B-71	CG305F.13-9	1	D-15	GJ330.2.2-7	1	F-16	BG-328.9.5-2	1			
A-75	EB-415.4.2-4	1	B-72	CG305F.13-8	1	D-16	GJ330.2.2-6	1	F-17	CG305F.1-1	1			
A-76	1E36FF.8.1-1	1	B-73	CG305F.13-1	1	D-17	GJ330.2.2-1	1	F-18	GB/T276	1			
A-77	EB-415.4.2-4	1	B-74	CG305F.13-2	1	D-18	GB/T276	2	F-19	GB/T893.2	1			
A-78	GB/T9074.4	2	B-75	CG260.2.2C	1	D-19	GB/T276	1	F-20	3WF-28.1.2	1			
A-79	1E36F-E.10-1	1	B-76	CG260.2-1	1	D-20	GB/T893.1	1	F-21	GB/T96.1	2			
A-80	1E32FL.6.2-4	1	B-77	GB/T9074.4	2	D-21	GJ330.2.2-2	1	F-22	GJ330.1.4	1			
A-81	1E32FL.6.2-3	1	B-78	GB/T9074.5	1	D-22	GJ330.2.2-3	1	F-23	GJ330.1-2	1			
A-82	1E32FL.6.2-2	1	B-79	CG305F.13-3	1	D-23	GJ330.2.2-4	1	F-24	GB/T9074.13	3			
A-83	EB-415.4.1.1-1	1	B-80	CG520-HL.17	1	D-24	GJ330.2.2-5	1	F-25	BG305.12.4-5	1			
A-84	CG420.13.1-2	1	B-81	CG520-HL.17.1	1	D-25	GJ330.2.2-8	1	F-26	GJ330.1-1	1			
A-85	1E32FL.6.2-1	1	B-82	CG305F.8-4	1	D-26	GB/T9074.12	1	F-27	GJ330.1-4	1			
A-86	1E32FL.6.2	1	B-83	CG305F.8-3	1	D-27	GJ330.2-15	1	F-28	CG305F.1-4	1			
A-87	1E40F-5A-3	2	B-84		2	D-28	GJ330.2.4-3	1	F-29	GB/T91	1			



DEBE SER LA FIGURA D, NO SE VENDE SUELTO. ref. GJ330 creada como GJ330.2



F-26 ref. 32475