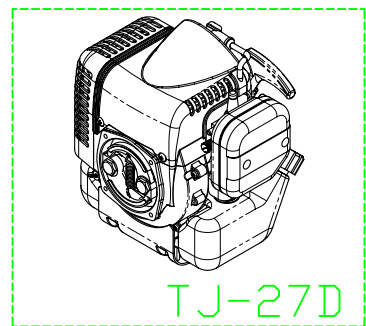
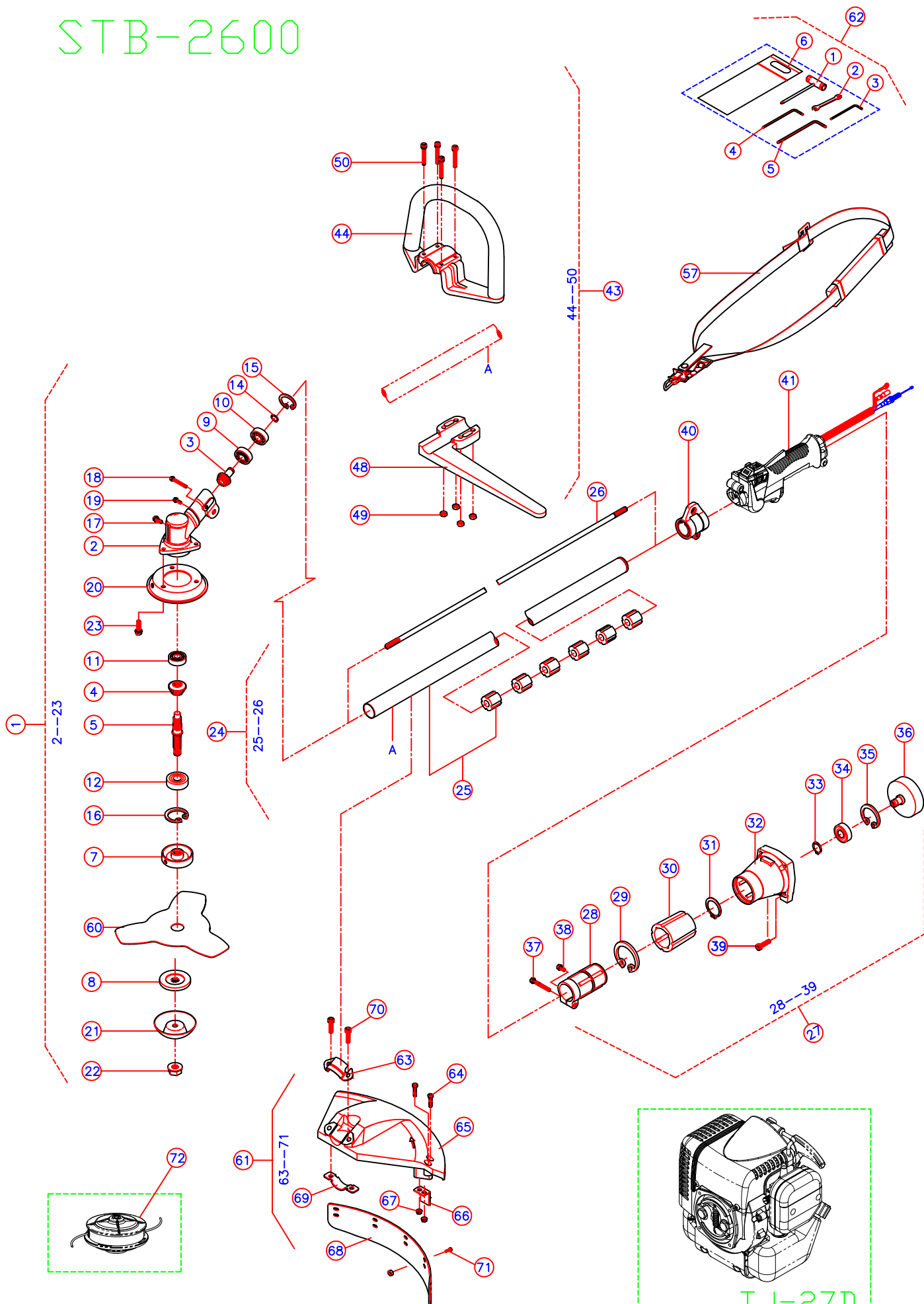


## (STB-2600\*TJ-27 SHAFT PARTS LIST)

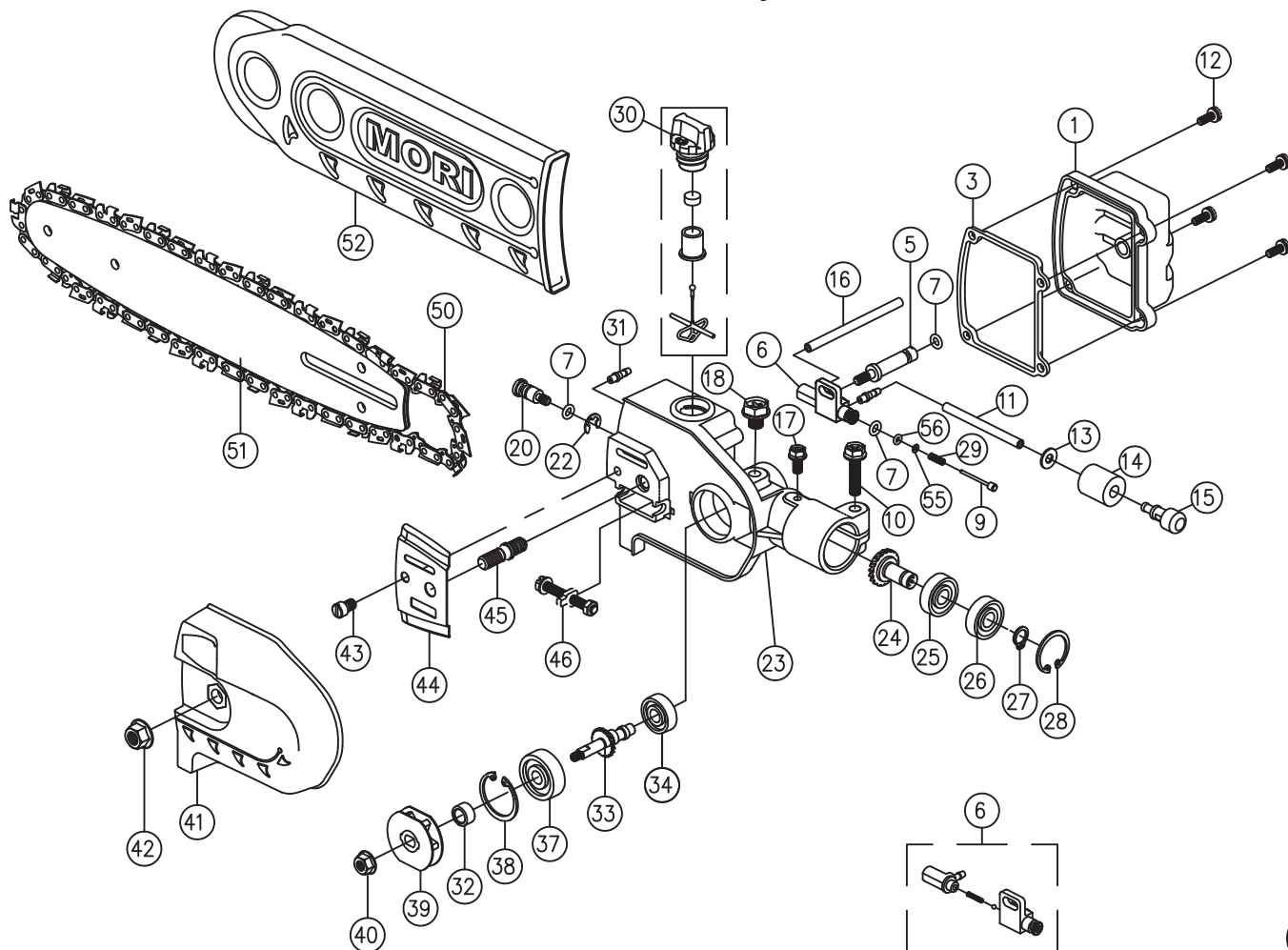
No.	Cosmos No.	Part Name	Q'Y		
1	TJ00-2609	GEAR CASE ASS'Y INCLUDE 2-23	1		
2	BJ01-2607	GEAR CASE	1		
3	BJ05-2602	BEVEL PINION	1		
4	BJ04-2602	BEVEL GEAR	1		
5	BJ06-2602	SPLINE SHAFT	1		
6	-	-		-	
7	BJ07-2601	BLADE HOLDER-A	1		
8	BJ08-2601	BLADE HOLDER-B	1		
9	Z6000	BALL BEARING 6000	1		
10	Z6000Z	BALL BEARING 6000Z	1		
11	Z629	BALL BEARING 629	1		
12	Z6201UU	BALL BEARING 6201UU	1		
13	-	-		-	
14	S10	C-SANP RING S10	1		
15	R26	C-SANP RING R26	1		
16	R32	C-SANP RING R32	1		
17	XGW-68	HEXAGON BOLT M6x8	1		
18	M6X28 SWPW	HEXAGON BOLT M6x28 SWPW	1		
19	M5X10 SWPW	HEXAGON BOLT M5x10 SWPW	1		
20	BJ02-2602	GRASS COVER	1		
21	BJ03-2602W	NUT COVER	1		
22	XMW-10	BLADE LOCK NUT	1		
23	XGW-58SP	HEXAGON BOLT M5x8 SP	3		
24	TK14-23714	MAIN PIPE ASS'Y INCLUDE 25~26	1		
25	TK14-23714P26	MAIN PIPE C.P.	1		
26	BK04-71544	DRIVE SHAFT L=1544mm	1		
27	TG25-026	CLUTCH CASE ASS'Y 28~39	1		
28	BG05-2601	BOSS(dd26)	1		
29	R45	C-SNAP RING R45	1		
30	BG07-2501	RUBBER DAMPER	1		
31	IRTW28	C-SNAP RING IRTW28	1		
32	BG04-020	CLUTCH CASE	1		
33	S12	C-SNAP RING S12	1		
34	Z6001ZZ	BALL BEARING 6001ZZ	1		
35	R28	C-SNAP RING R28	1		
36	BG12-016-63	CLUTCH DRUM C.P.	1		
37	M6X28 SWPW	HEXAGON BOLT M6x28 SWPW	1		
38	M5X10 SWPW	HEXAGON BOLT M5x10 SWPW	1		
39	M6X28 SWPW	HEXAGON BOLT M6x28 SWPW	4		
40	TK09-2602	HANGER(dd26)	1		
41	AE6-2602-TJ27	THROTTLE LEVER ASS'Y	1		
42	-	-	-	-	
43	TH03-2602	LOOP HANDLE ASS'Y (dd26) 44~50	1		
44	BH031-2602	LOOP HANDLE	1		
45	-	-	-	-	
46	-	-	-	-	
47	-	-	-	-	
48	BH032-2602	HANDLE BRACKET(dd26)	1		
49	XHW-5	NUT,M5	4		

No.	Cosmos No.	Part Name	Q'Y		
50	XLA-535SWPW	BOLT M5X35	4		
51	-	-	-	-	
52	-	-	-	-	
53	-	-	-	-	
54	-	-	-	-	
55	-	-	-	-	
56	-	-	-	-	
57	RE-220	SINGLE HARNESS ASS'Y	1		
58	-	-	-	-	
59	-	-	-	-	
60	BL-255-3T	BLADE 255x3Tx1.4mm <span style="border: 1px solid red; padding: 2px;">32475</span>	1		
61	TS12-2603-64	SAFTY GUARD ASS'Y(dd26) 63~71	1		
62	T1	TOOL SET 62-1~62-6	1		
*62-1	BT1-1719	BOX DRIVE 17x19mm	1		
*62-2	BT2-810	SPANNER 8x10mm	1		
*62-3	BT4-4	STOP BAR 4mm	1		
*62-4	BT6-4	TOOL BAG	1		
*62-5	BT3-4W	HEXAGON SPANNER 4mm	1		
*62-6	BT3-5W	HEXAGON SPANNER 5mm	1		
63	BS02-2603W	PIPE CLAMP	1		
64	XAW525	SOCKT BOLT M5X25 SWPW	2		
65	BS01-2603-64	SAFETY GUARD	1		
66	BS04-2603-03	CUTTER	1		
67	XHK5	HEXAGON NUT M5	7		
68	BS01-2613-64	SAFETY COVER	1		
69	BS03-2603W	CLAMP BRACKET	1		
70	XAW635SWPW	SOCKT BOLT M6X35 SWPW	2		
71	XAW516SWPW	SOCKT BOLT M5X16 SWPW	5		
72	BL-092	NYLON HEAD	1		

# STB-2600



# AJPS2600E6240-TJ27N Gear Case ass'y

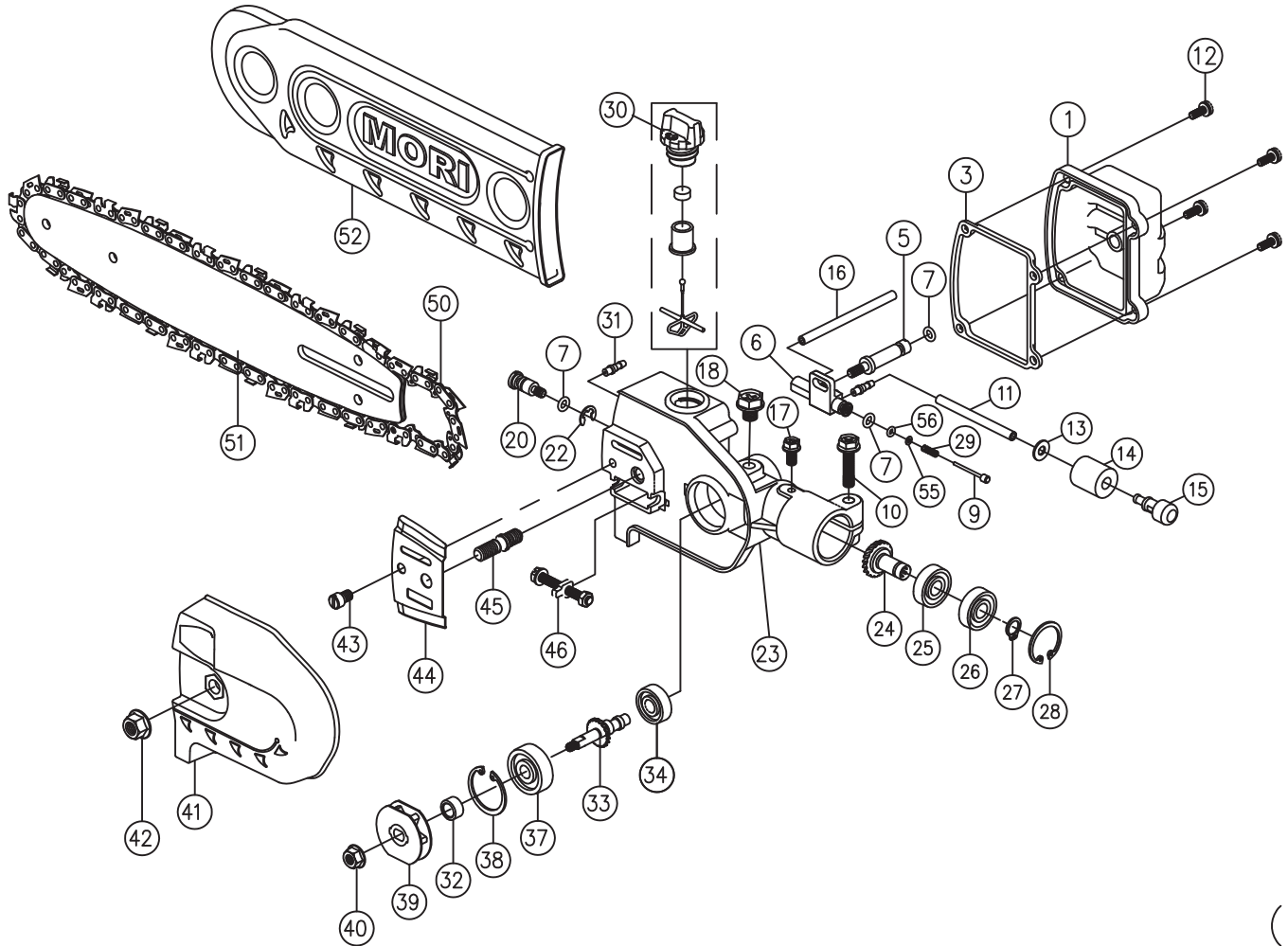


(1/6)

NO.	Part No	Part Name	Q'ty	Note
1	BTP01-2401-P	OIL CASE	1	
2	—	—	—	
3	BTP03-2401	OIL SEAL	1	
4	—	—	—	
5	BTP05-2401	BOLT , OIL CASE	1	
6	TTP06-2401	PUMP , OIL	1	
7	BTP07-4819	O-RING , P-005	3	
8	—	—	—	
9	BTP09-2401	PISTON,OIL PUMP	1	
10	XGW628SPWS	HEXAGON BOLT,M6x28	1	
11	BTP11-56	PIPE , FUEL	1	
12	XLK412SPWS	SCREW , M4x12	4	
13	XWW12531	WASHER	1	
14	BTP14-12510	FILTER , OIL	1	
15	BTP15-2401	FILTER , BODY	1	
16	BTP16-574	PIPE , FUEL	1	
17	XGW510SPWS	HEXAGON BOLT,M5x10	1	
18	XGW88	HEXAGON BLOT,M8x8	1	



# AJPS2600E6240-TJ27N Gear Case ass'y

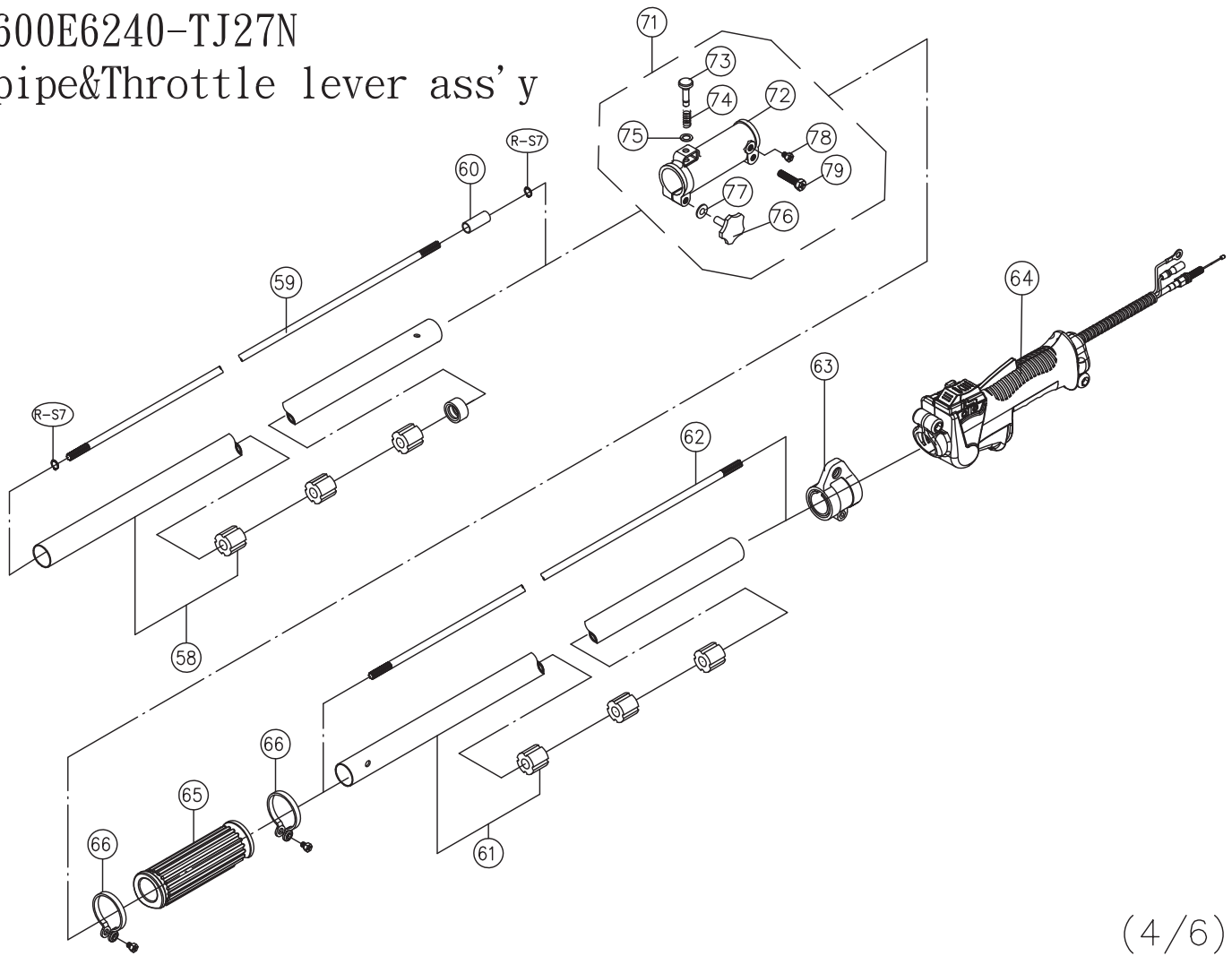


(3/6)

NO.	Part No	Part Name	Q'ty	Note
37	Z638ZZ	BALL BEARING,638ZZ	1	
38	R28	C-SNAP RING,R28	1	
39	BTP39-2401	SPROCKET,3/8"	1	
40	XHW6	FLANGE NUT,M6	1	
41	BTP41-2401	COVER ,SPROCKET	1	
42	XHW8G	FLANGE NUT,M8	1	
43	BTP43-2401	PIN,KNOCK,GUIDE BAR	1	
44	BTP44-2401	PLATE ,GUIDE	1	
45	BTP45-2401	BOLT ,GUIDE BAR TIGHTENING	1	
46	BTP46-540	TENSIONER, CHAIN	1	
47	—	—	—	
48	—	—	—	
49	—	—	—	
50	BTP50-2401-74	CHAIN, 10"	1	
51	BTP51-1040	CHAIN BAR , 10"	1	
52	BTP52-2401	CHAIN COVER	1	
55	BTP55-482203	STOP WASHER	1	
56	BTP56-15	O-RING	1	

# AJPS2600E6240-TJ27N

## Main pipe&Throttle lever ass'y



(4/6)

NO.	Part No	Part Name	Q'ty	Note
58	TK14-47142623735	MAIN PIPE C.P.,L=735mm	1	
59	BK04-7740	DRIVE SHAFT L=740mm	1	
60	BK14-2602	SHAFT JOINT	1	
61	TK14-471426231500-2	MAIN PIPE C.P.,L=1500mm	1	
62	BK04-71544	DRIVE SHAFT L=1544mm	1	
63	TK09-2602	HANGER(Φ26)	1	
64	AE6-2602-E-TJ27	THROTTLE LEVER ASS'Y	1	
65	BK10-2602	GRIP	1	
66	BK11-3016	CLAMP	2	
*	XGK520SPWS	HEXAGON BOLT,M5x20	2	
71	TK02-2602	PIPE JOINT C.P.,INCLUDE 72~79	1	
72	BK12-2602	PIPE JOINT	1	
73	BG061-166W	PIN	1	
74	BG063-166	SPRING	1	
75	R-E4	C-SANAP RING,E4	1	
76	BK16-2602	KNOB	1	
77	XWW21102	WASHER	1	
78	XGK512SPWS	HEXAGON BOLT,M5x12	1	
79	XGK632SPWS	HEXAGON BOLT,M6x32	1	

