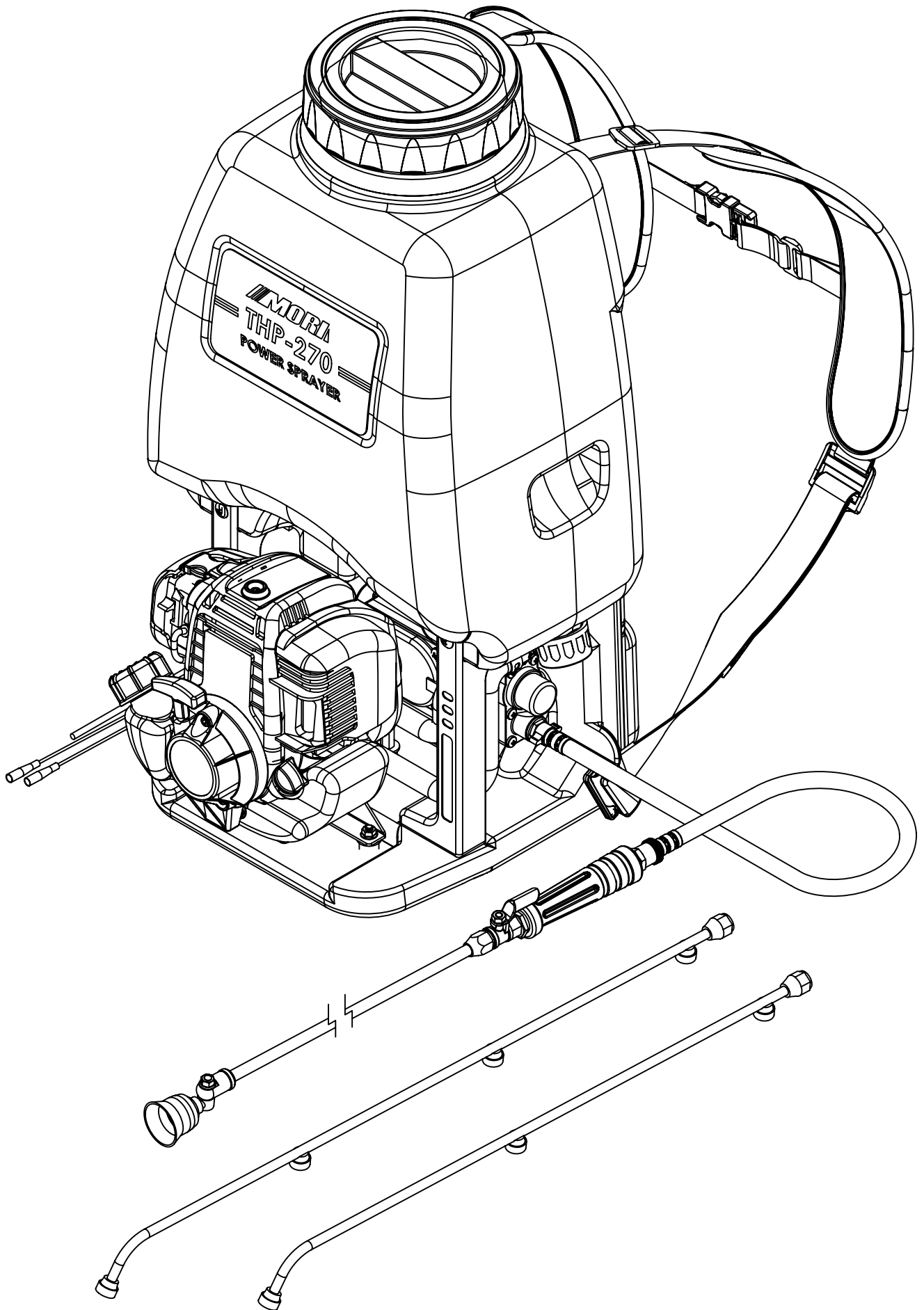
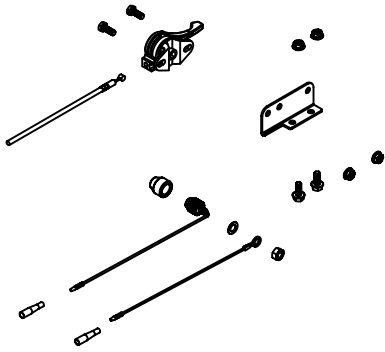


# THP-250 POWER SPRAYERS

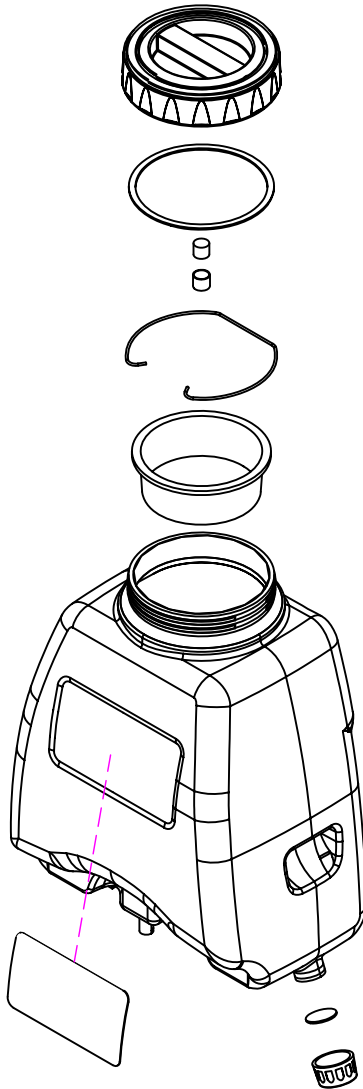


# Construction

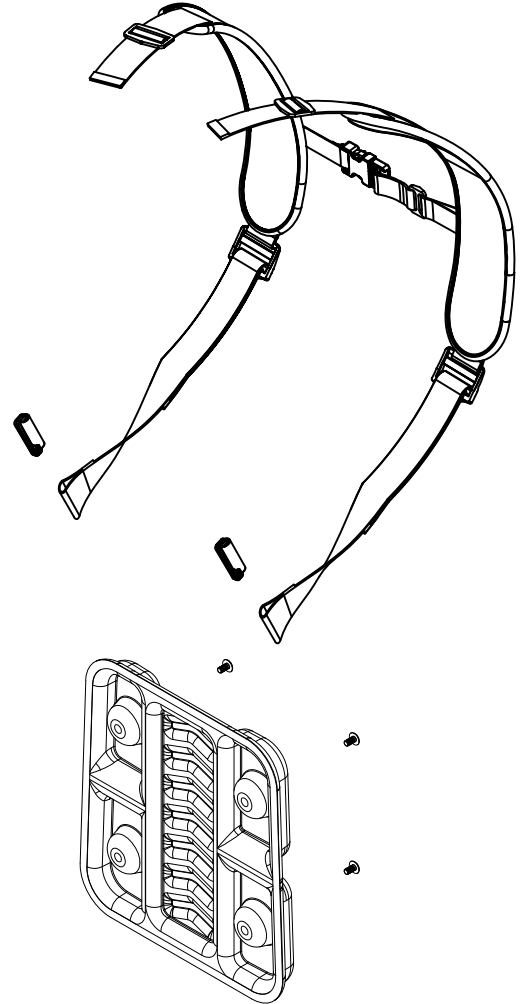
## 4. THROTTLE LEVER ASS'Y/STOP SWITCH



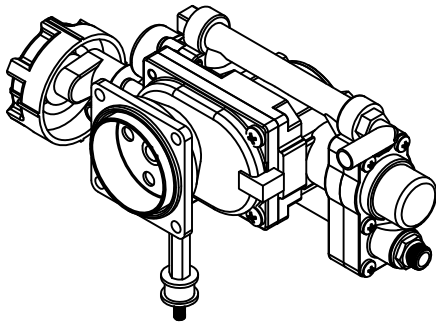
## 1. CHEMICAL TANK ASS'Y



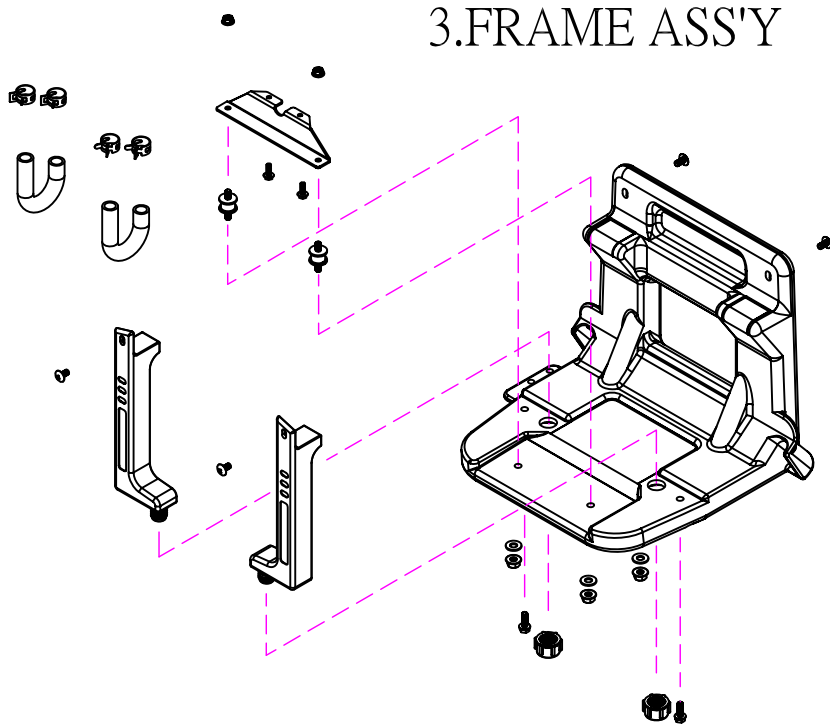
## 2. SHOULDER BAND ASS'Y



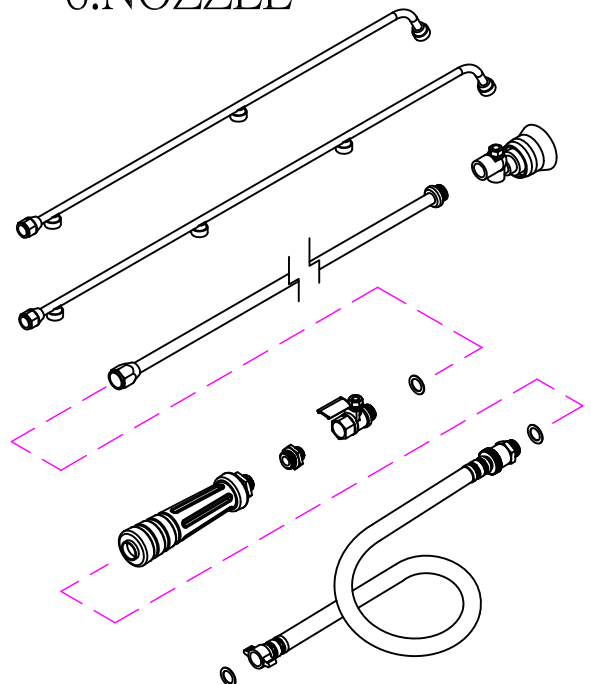
## 5. PUMP



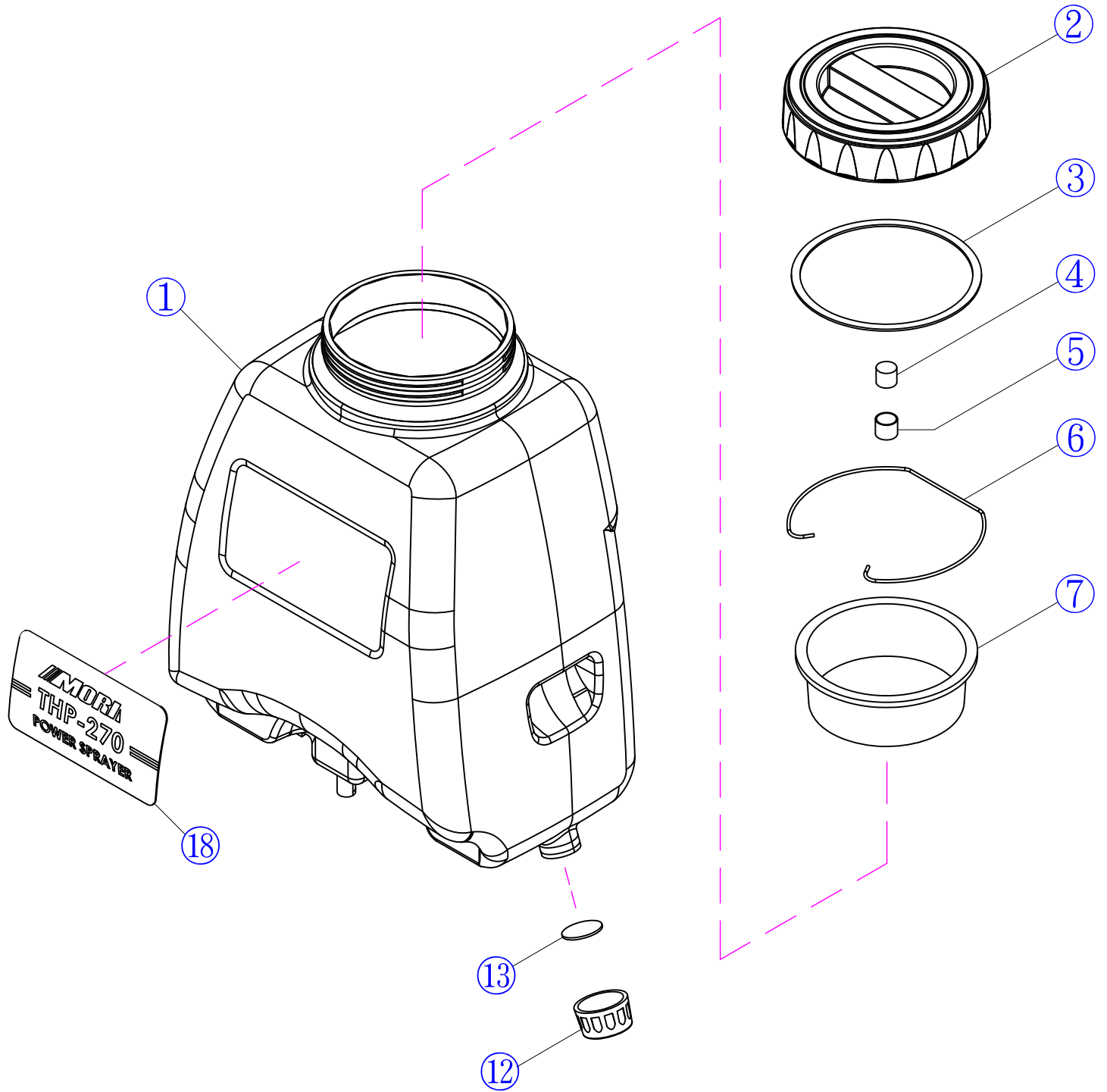
## 3. FRAME ASS'Y



## 6. NOZZLE

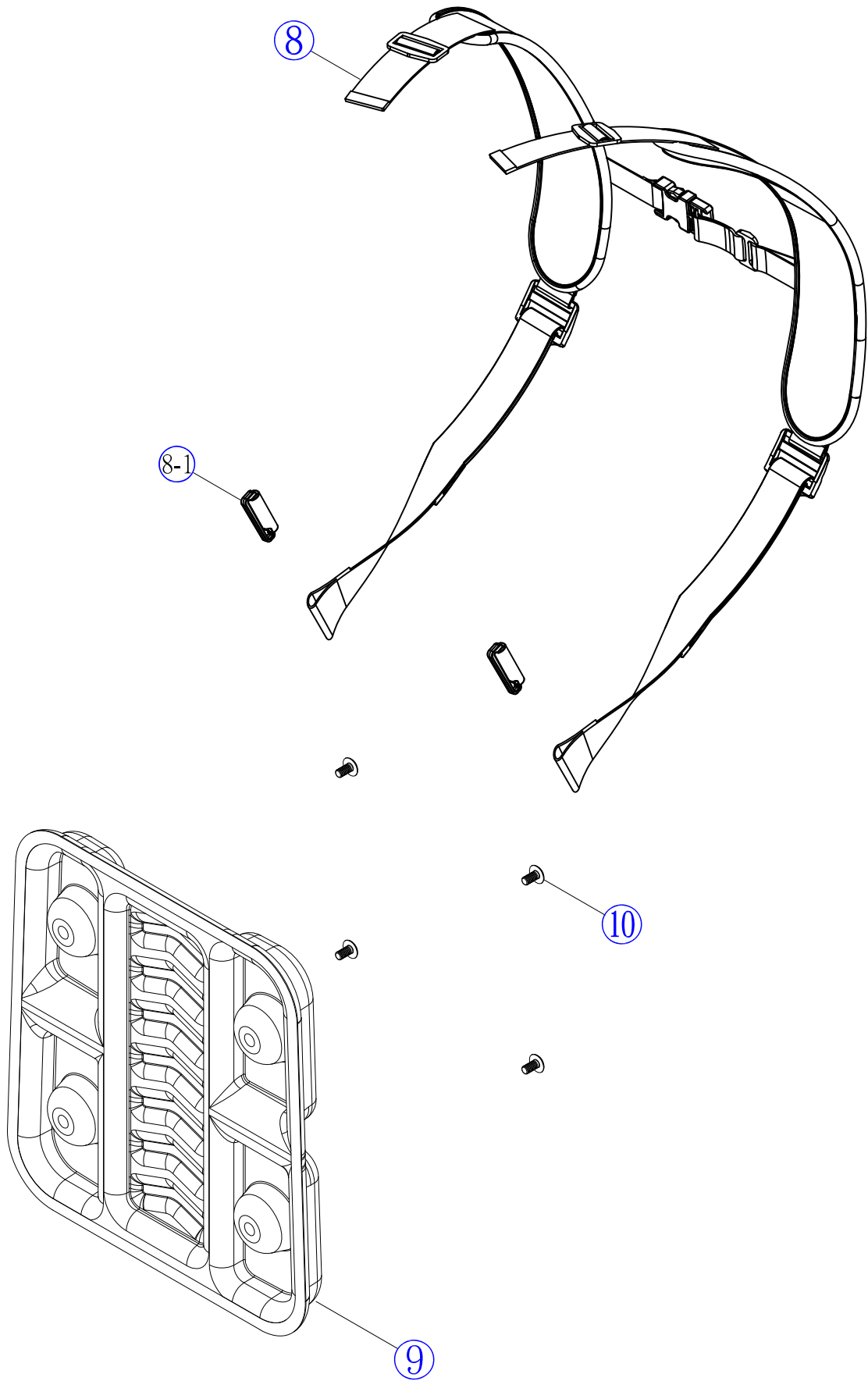


# 1.CHEMICAL TANK ASS'Y



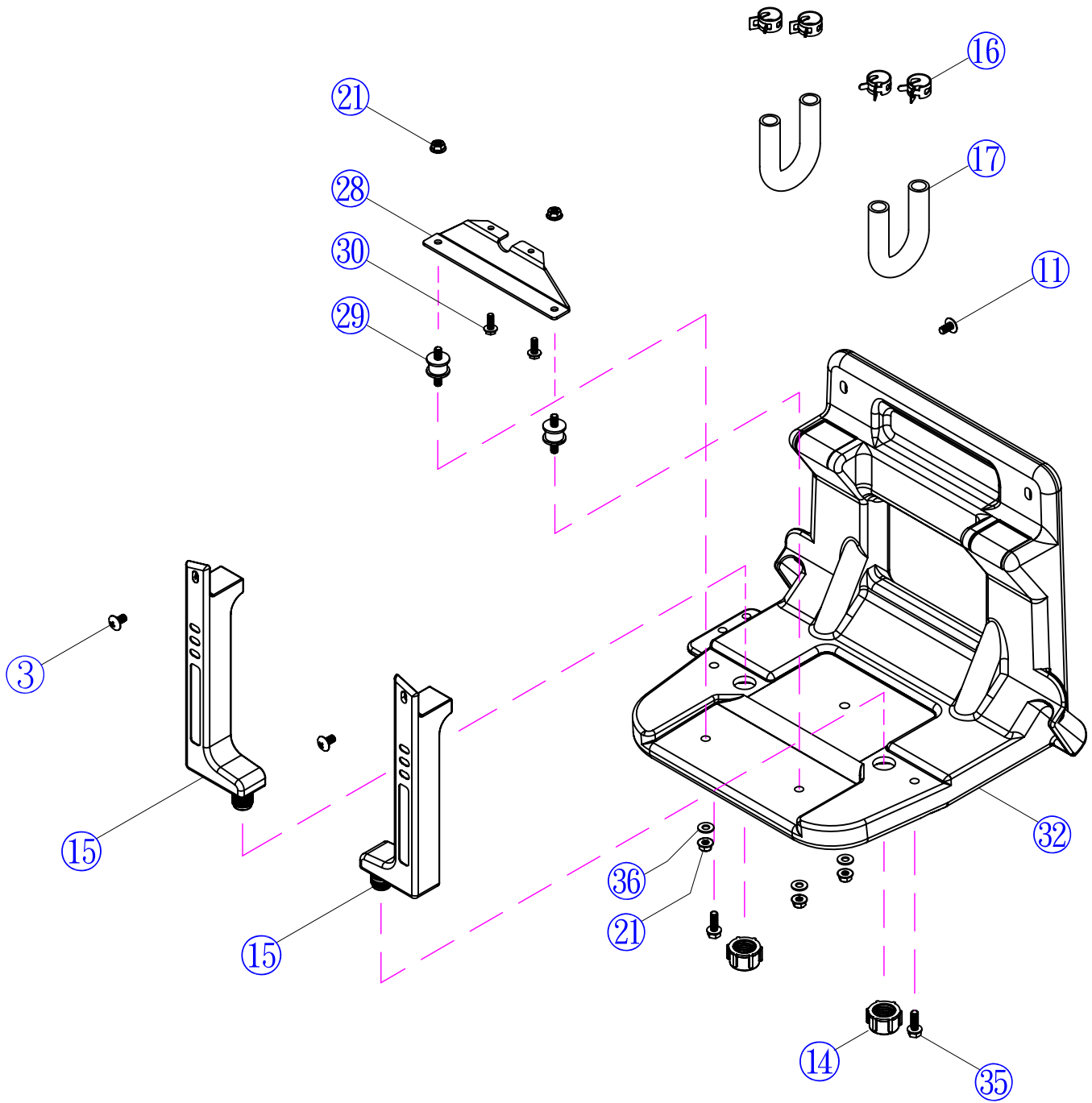
REF.NO	DESCRIPTION	Q'TY
1	CHEMICAL TANK	1
2	CAP OF CHEMICAL TANK	1
3	PACKING	1
4	SPONGE	1
5	CAP OF SPONGE	1
6	FIX RING	1
7	STRAINER	2
13	SHOULDER BAND ASST	1
12	CAP	1
18	NAME PLATE	1

## 2.SHOULDER BAND ASS'Y



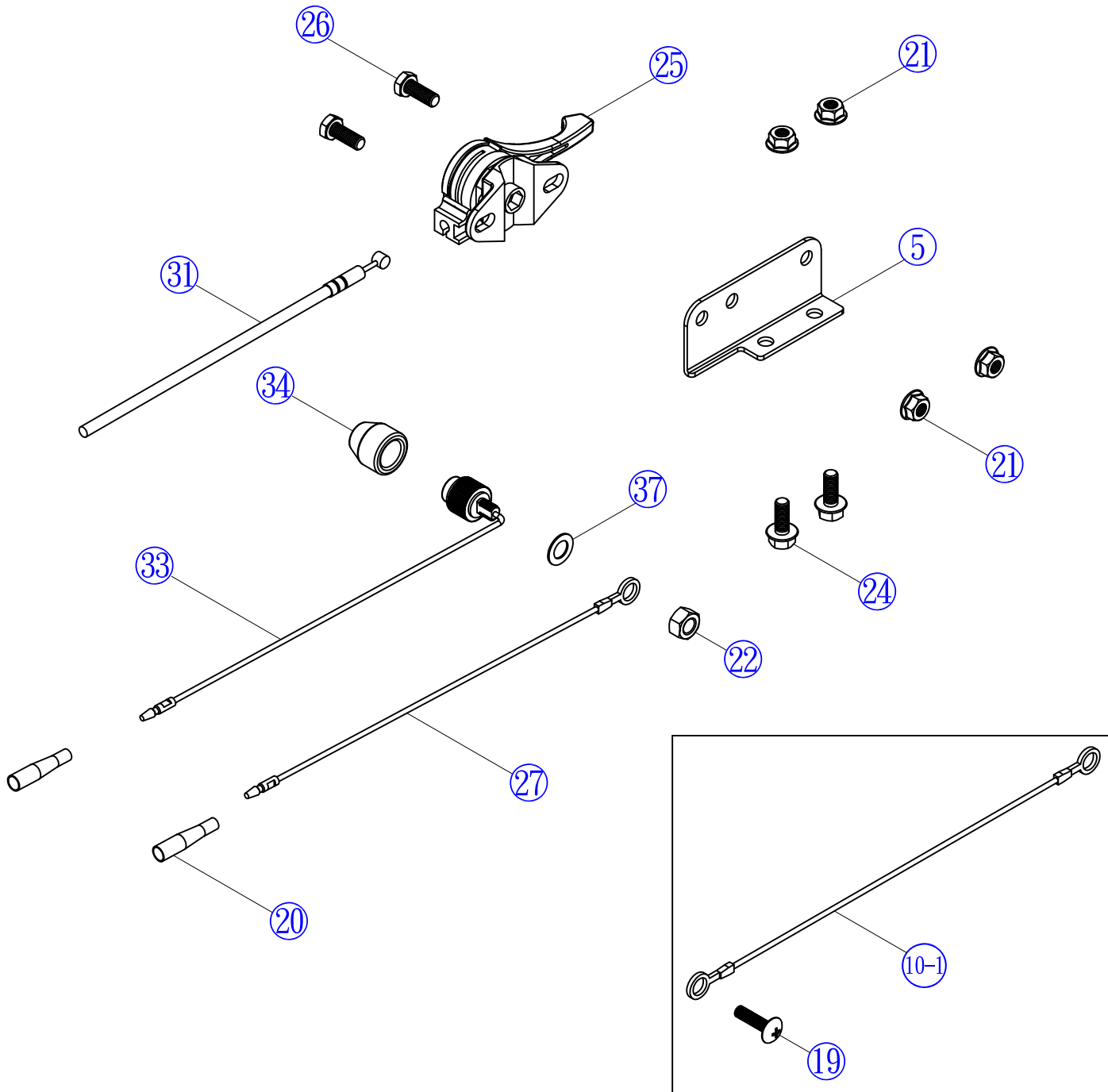
REF.NO	DESCRIPTION	Q'TY
8	KNAPSACK STRAP	1
8-1	STRAP KNOB	2
9	CUSHION PAD	1
10	BOLT & WASHER 6*12MM	4

# 3.FRAME ASS'Y



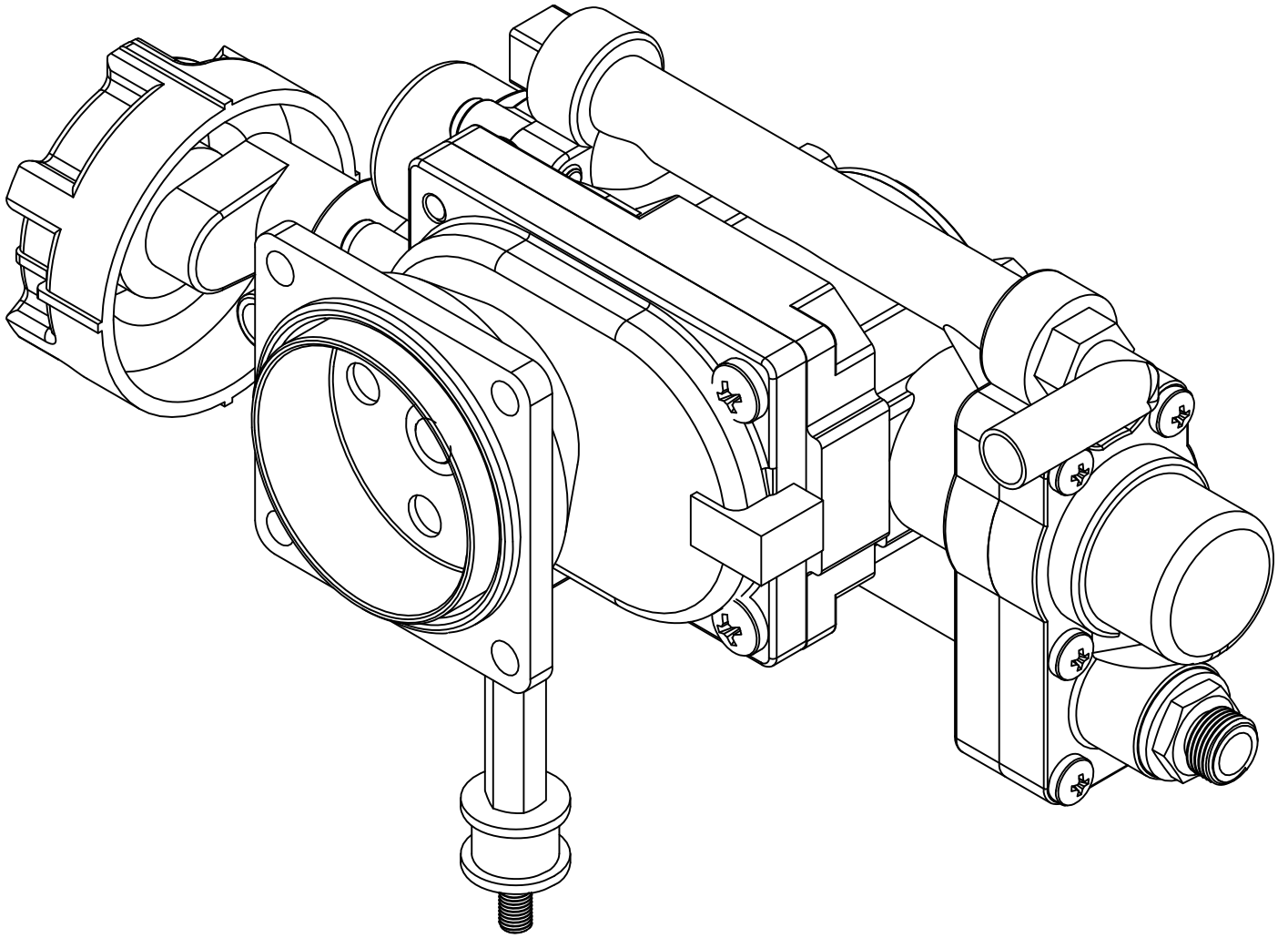
REF.NO	DESCRIPTION	QTY
32	STAY	1
15	PILLAR/STAY (A)	1
15	PILLAR/STAY (B)	1
11	BOLT & WASHER 6*12MM	4
14	PLASTIC NUT	2
35	BOLT & WASHER 6*20MM	2
21	NUT M6	5
36	WASHER 6*2*19	3
28	ENGINE STAY	1
29	BUFFER 6*15*40	2
30	BOLT & WASHER (With changes in)	2
17	HOSE	2
16	CLIP/BAND	4

# 4.THROTTLE LEVER ASS'Y/STOP SWITCH



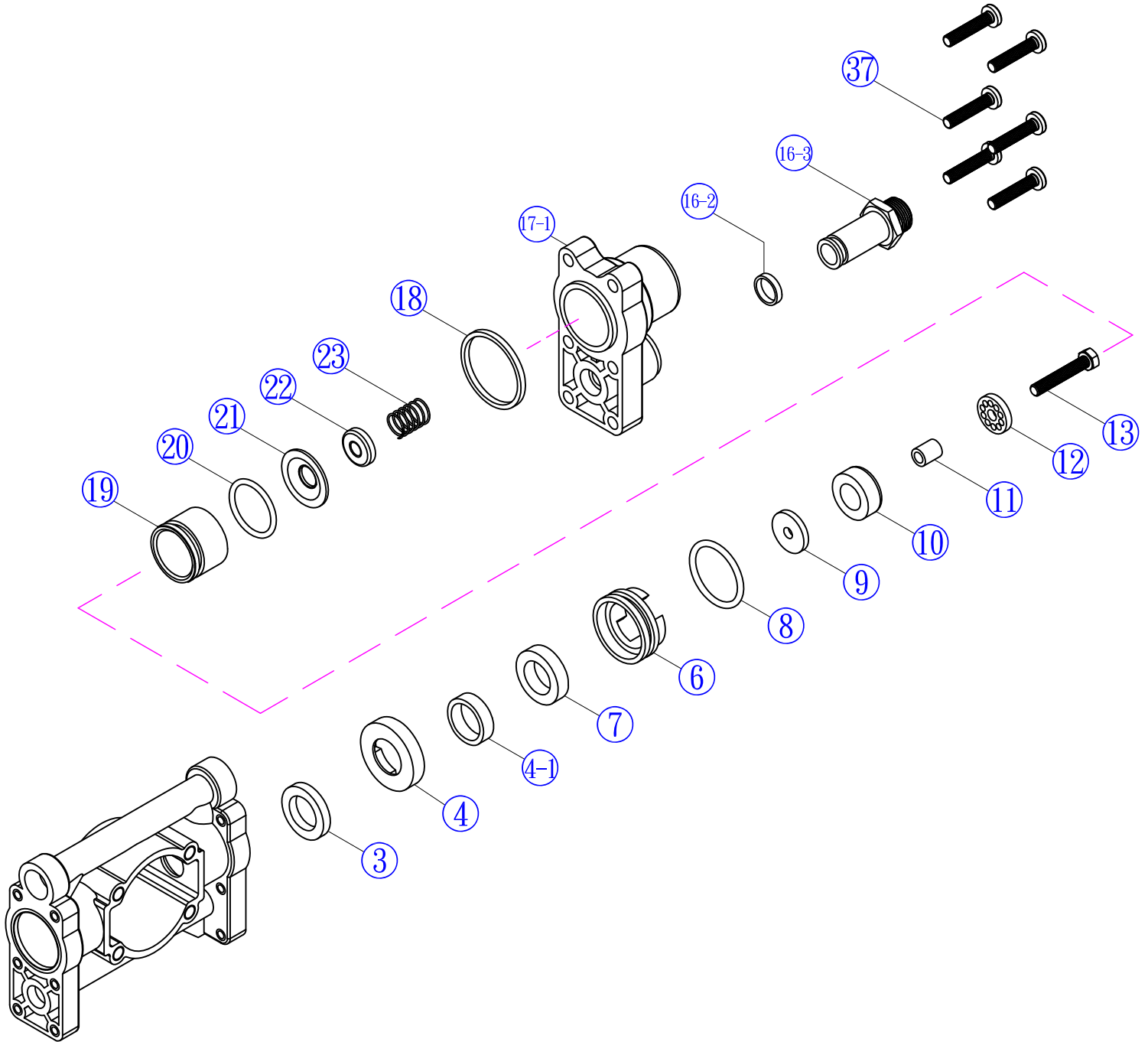
REF.NO	DESCRIPTION	QTY
25	THROTTLE LEVER	1
26	BOLT 6*12MM	1
31	CABLE	1
21	NUT M6	4
23	THROTTLE LEVER STAY	1
24	BOLT&WASHER 6*16MM	2
34	STOP BUTTON COVER	1
33	STOP SWITCH	1
37	STOP BUTTON WASHER M8*1.0	1
27	EARTY CORD	1
10-1	EARTY CORD (HONDA)	1
19	BOLT 5*8MM	1
22	NUT M8	1
20	GUARD/SHEATHING	1

# 5.PUMP ASS'Y



REF.NO	DESCRIPTION	QTY
	PUMP ASS'Y	1

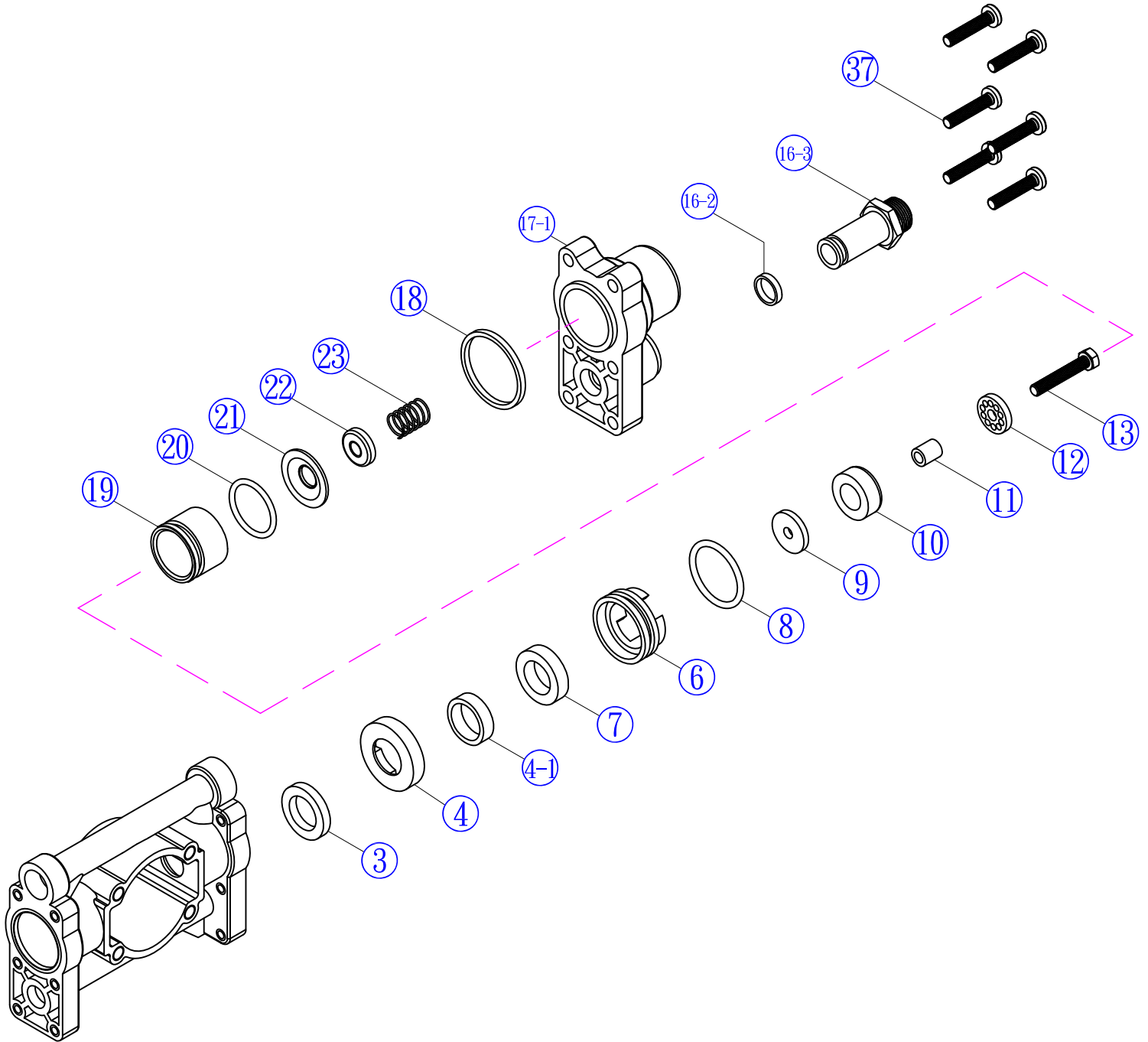
# 5.Right Pump (1/2)



REF.NO	DESCRIPTION	QTY
3	OIL SEAL	1
4	COLLAR	1
4-1	FELT	1
7	SEAL PACKING	1
6	SEAL RETAINER	1
8	O RING 24*2.6	1
9	SUCTION VALVE SEAL 17MM	1
9	SUCTION VALVE SEAL 19MM	1
10	PISTON PACKING 20MM	1
10	PISTON PACKING 21MM	1
11	SUCTION VALVE COLLAR	1
12	SUCTION VALVE STOPPER	1
13	BOLT&WASHER 5*30MM	1

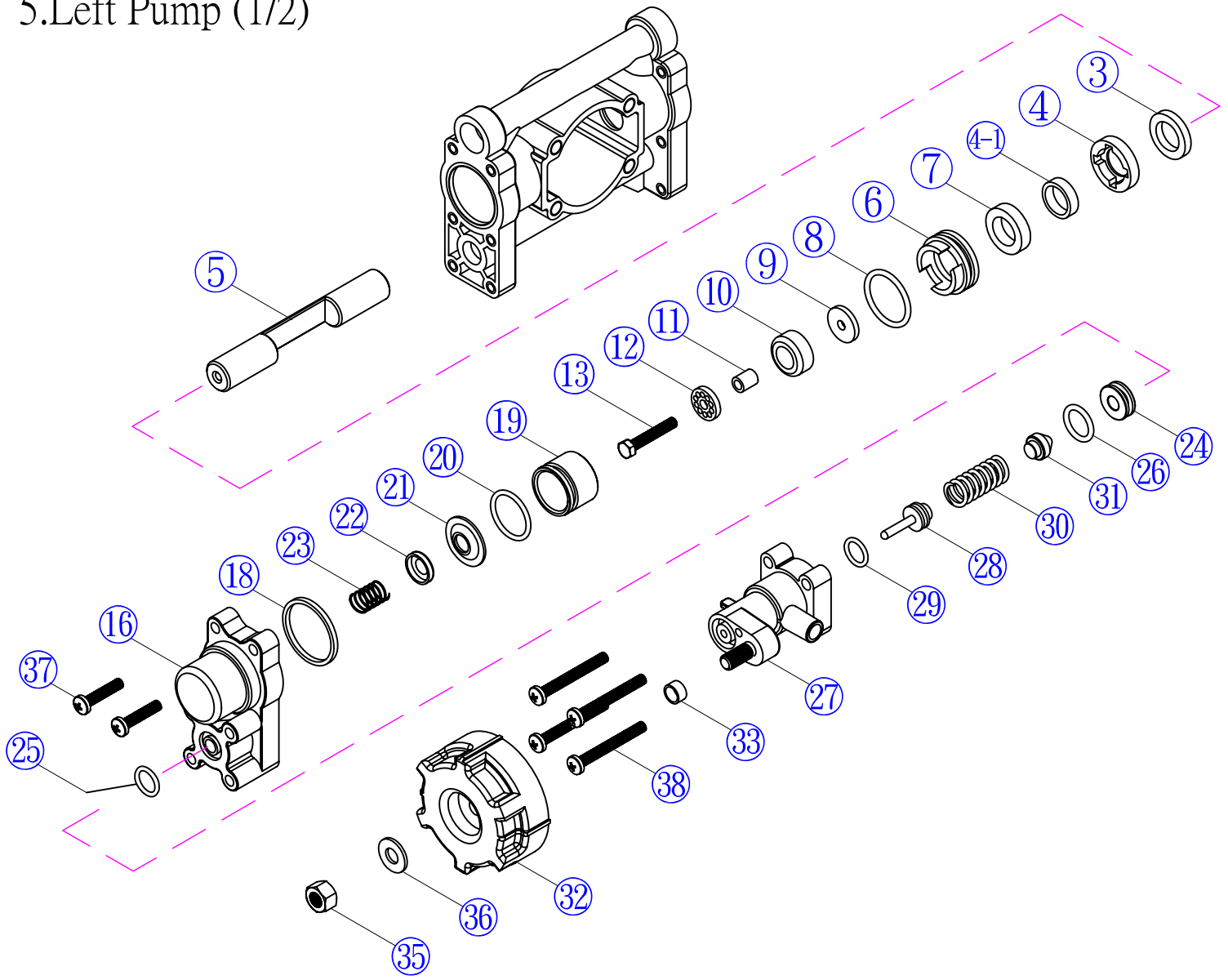


## 5.Right pump (2/2)



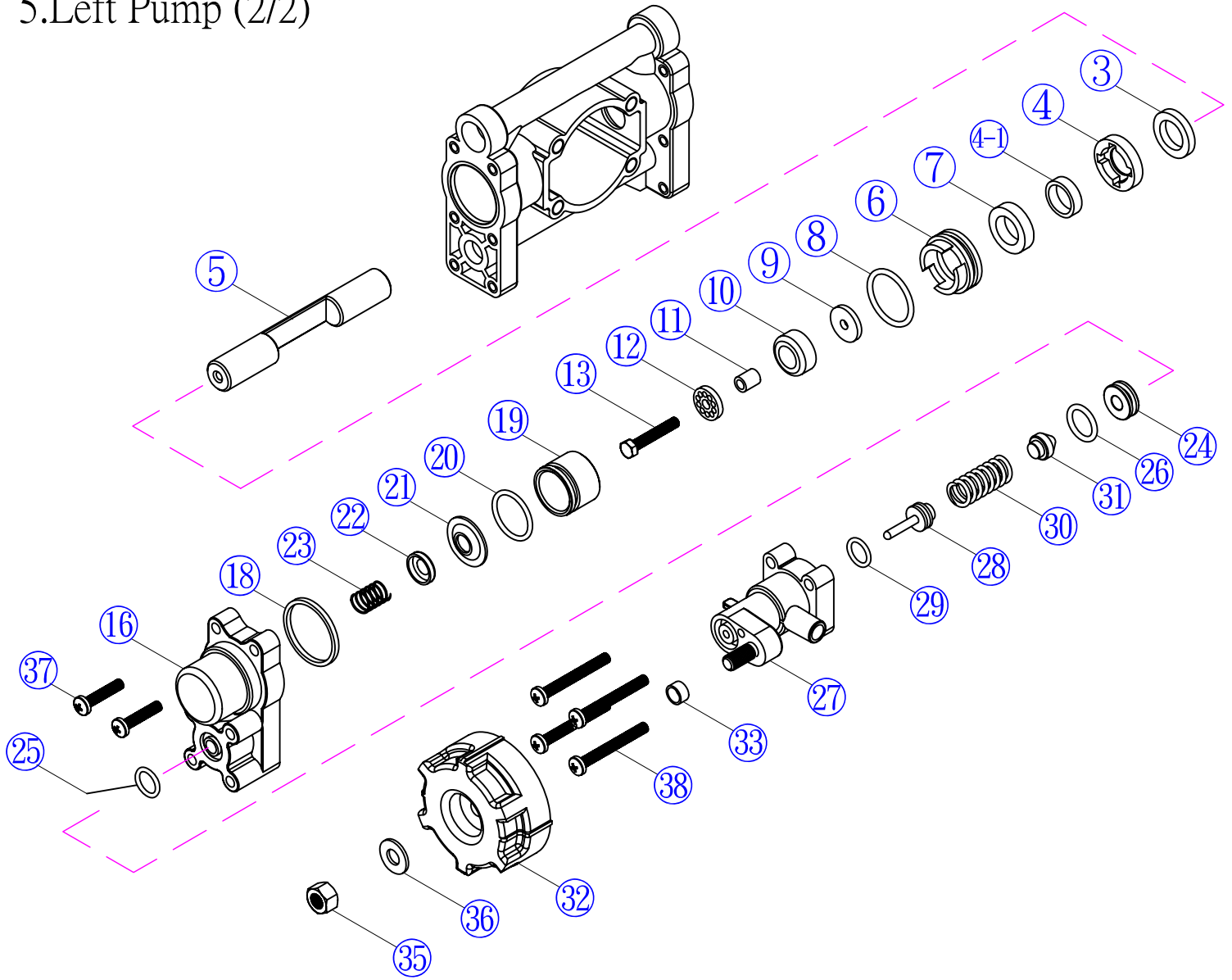
REF.NO	DESCRIPTION	QTY
19	CYLINDER PIPE 20MM	1
19	CYLINDER PIPE 21MM	1
20	O RING 20*2.6	1
20	O RING 20*2.3	1
21	DISCHARGE VALVE SEAT	1
22	DISCHARGE VALVE	1
23	DISCHARGE VALVE SPRING	1
18	O RING 31*2.6	1
17-1	CYLINDER HEAD A	1
16-2	O RING 10*2.5	1
16-3	CYLINDER HEAD A SCREW	1
37	SCREW 5*25MM	6

# 5.Left Pump (1/2)



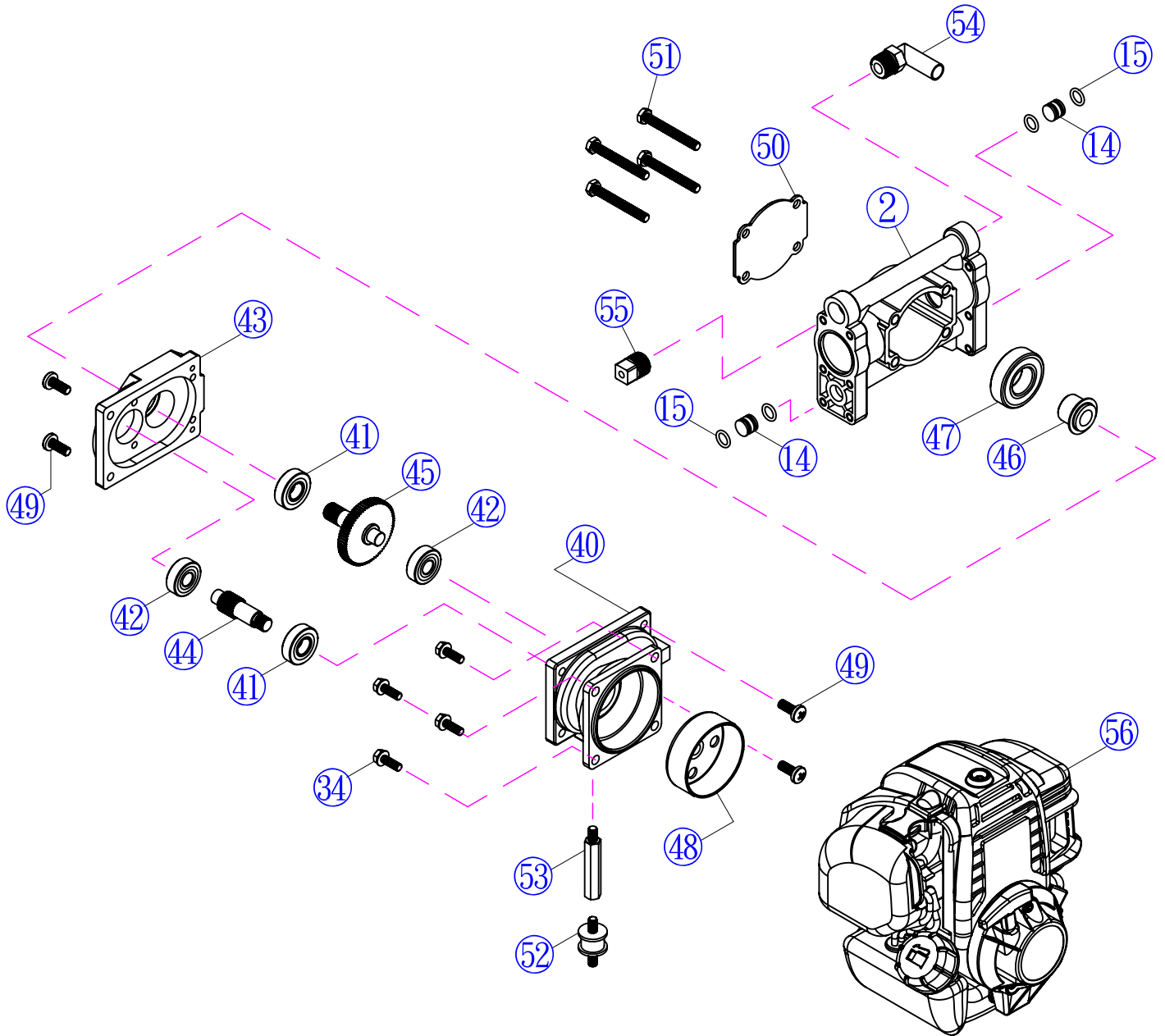
REF.NO	DESCRIPTION	Q'TY
5	PISTON GUIDE	1
3	OIL SEAL	1
4	COLLAR	1
4-1	FELT	1
7	SEAL PACKING	1
6	SEAL RETAINER	1
8	O RING 24*2.6	1
9	SUCTION VALVE SEAL 17MM	1
9	SUCTION VALVE SEAL 19MM	1
10	PISTON PACKING 20MM	1
10	PISTON PACKING 21MM	1
11	SUCTION VALVE COLLAR	1
12	SUCTION VALVE STOPPER	1
13	BOLT&WASHER 5*30MM	1
19	CYLINDER PIPE 20MM	1
19	CYLINDER PIPE 21MM	1
20	O RING 20*2.6	1
20	O RING 20*2.3	1

# 5.Left Pump (2/2)



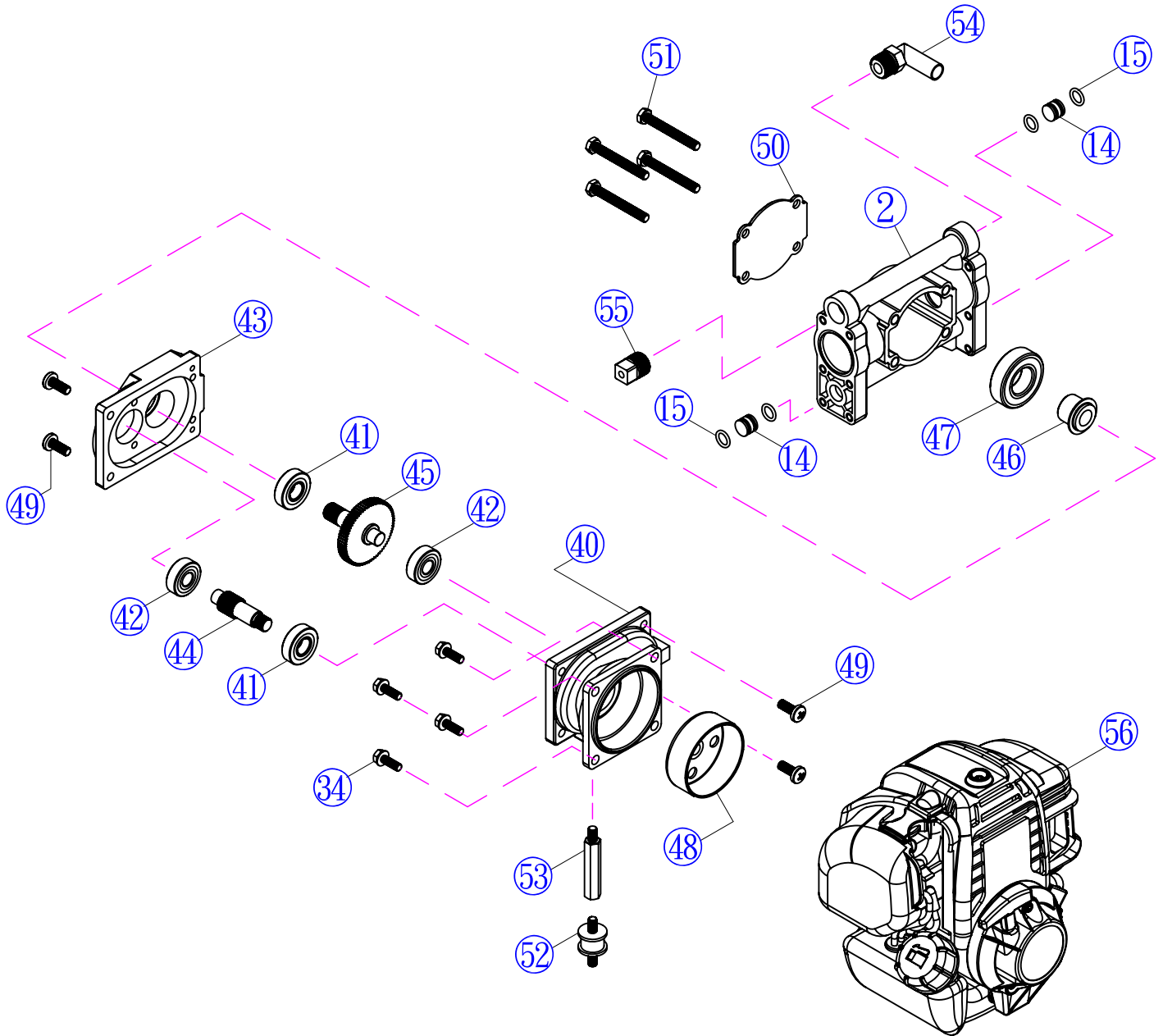
REF.NO	DESCRIPTION	QTY
21	DISCHARGE VALVE SEAT	1
22	DISCHARGE VALVE	1
23	DISCHARGE VALVE SPRING	1
18	O RING 31*2.6	1
16	CYLINDER HEAD B	1
37	SCREW 5*25MM	2
25	O RING 10*2.5	1
24	VALVE SEAT	1
26	O RING 13*2.6	1
31	VALE	1
30	COMPRESSION COIL SPRING	1
28	SPRING RETAINER	1
29	O RING 8*2(V)	1
27	SPRING CASE	1
33	SLEEVE	1
38-1	SCREW 5*55MM	4
32	HANDLE	1
36	WASHER 8*1.5*18	1
35	NUT M8*1.25*13	1

# 5. Central Pump (1/2)



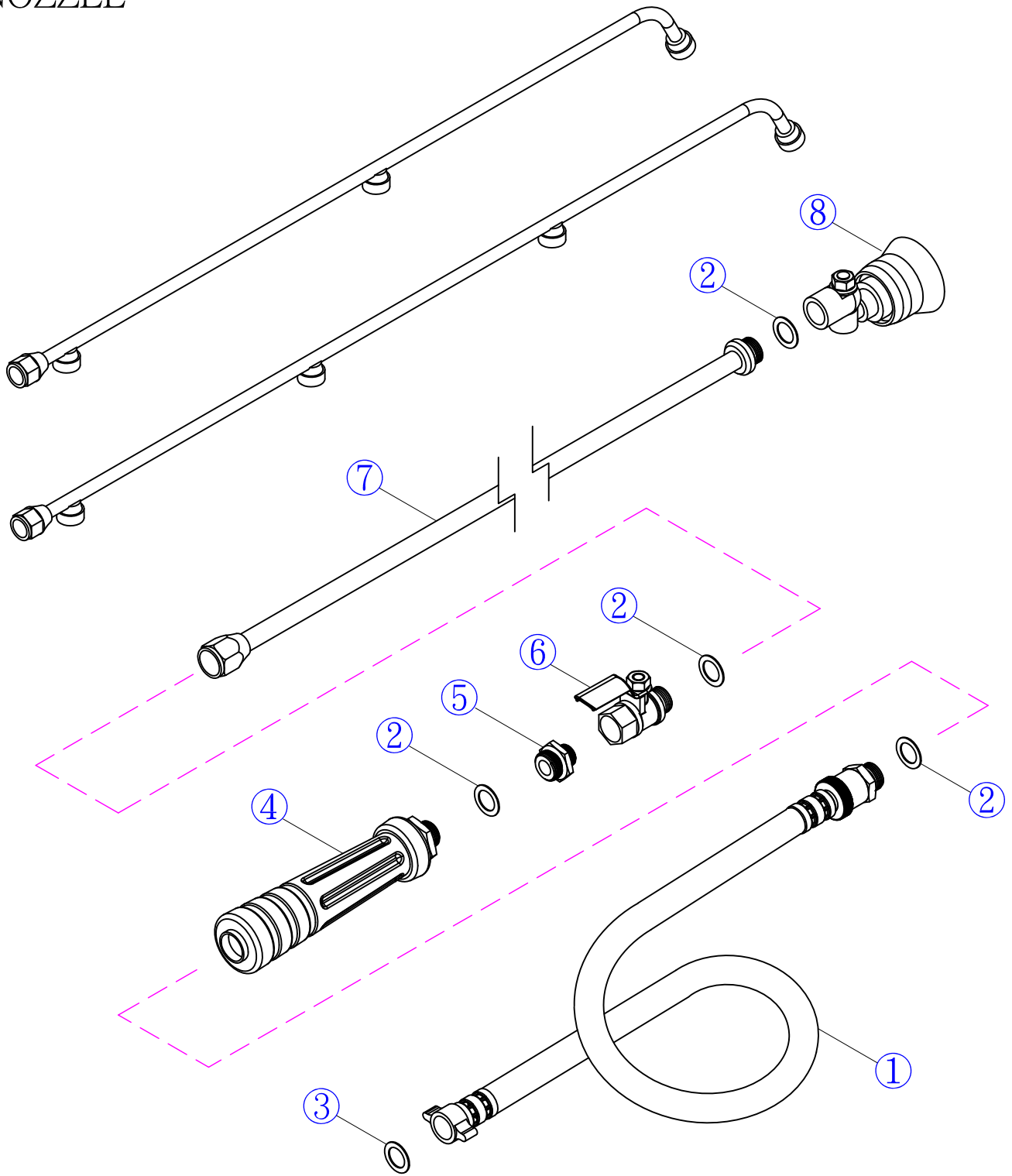
REF.NO	DESCRIPTION	QTY
2	CRANK CASE	1
50	CRANKCASELID	1
51	BOT&WASHER6*50MM	4
55	NIPPLE	1
54	ELBOW	1
14	SPACER PIPE	2
15	O RING 8*2	4
47	BEARING 6004	1
46	CAM	1
43	GEAR CASE	1
41	BEARING 6001	2
42	BEARING 6000	2
45	GEAR SHAFT	1

## 5. Central Pump (2/2)



REF.NO	DESCRIPTION	QTY
44	PINION GEAR	1
40	CLUTCH CASE (60MM)	1
40	CLUTCH CASE (84MM) GX35	1
48	CLUTCH DRUM (58MM)	1
48	CLUTCH DRUM (82MM) GX35	1
49	BOT&WASHER5*18MM	4
53	HEXAGONALSCREW 3CM	1
53	HEXAGONALSCREW 5CM	1
52	BUFFER 6*29*49	1
34	BOLT&WASHER 6X16MM	4
34	BOLT&WASHER 6X20MM	4
56	ENGINE	1

# 6.NOZZLE



REF.NO	DESCRIPTION	QTY
1	HOSE	1
2	PACKING	1
3	PACKING	1
4	HANDLE STRAINER PIPE	1
5	UNION	1
6	BALL COCK	1
7	NOZZLE PIPE	2
*8	HATS NOZZLE	1