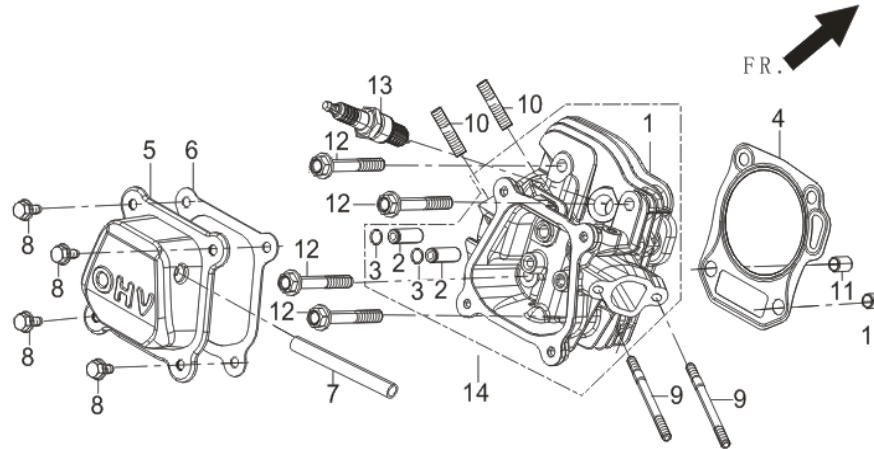


**TM 500 G2R PRO**

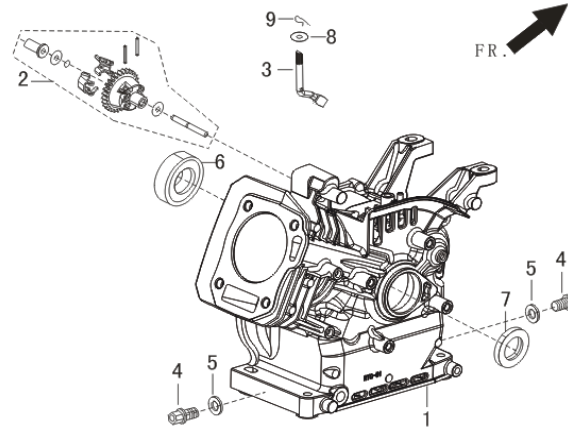
# TM 500 G2R PRO

**FIG.1 HEAD SUBASSEMBLY, CYLINDER / PLUG, SPARK (E01)**



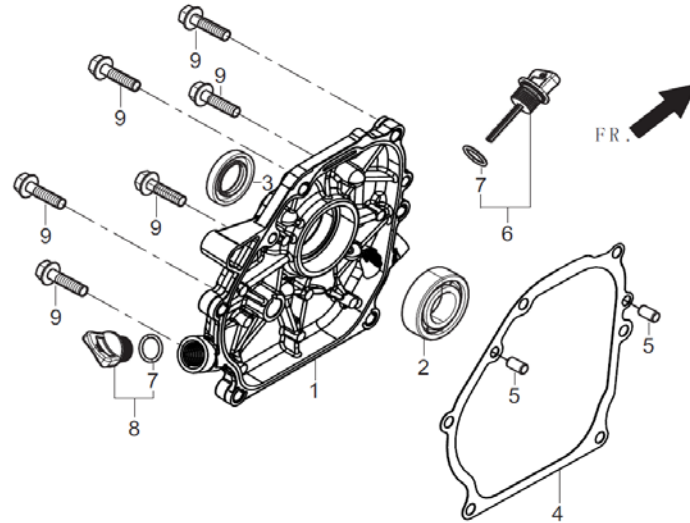
REF.NO.	PART NO	DESCRIPTION	Q'TY	
E01-4	12131-Z140120-0000	GASKET, CYLINDER HEAD	1	1
E01-5	12410-Z300120-0000	COVER SUBASSEMBLY, CYLINDER HEAD	1	1
E01-6	12004-Z010110-0000	GASKET, CYLINDER HEAD COVER	1	1
E01-7	17004-Z050210-0000	TUBE, BREATHER	1	1
E01-8	90001-0612-01	BOLT	4	1
E01-9	90204-Z010310-0000	STUD	2	1
E01-10	90203-Z010110-0000	STUD	2	1
E01-11	90502-1014-00	PIN	2	1
E01-12	12003-Z010110-0000	BOLT, CYLINDER HEAD	4	1
E01-13	30010-Z010110-0000	PLUG, SPARK	1	1
E01-14	12140-Z040610-0000	HEAD SUBASSEMBLY, CYLINDER	1	1

**FIG.2 CRANKCASE. / GEAR ASSY, GOVERNOR. (E02)**



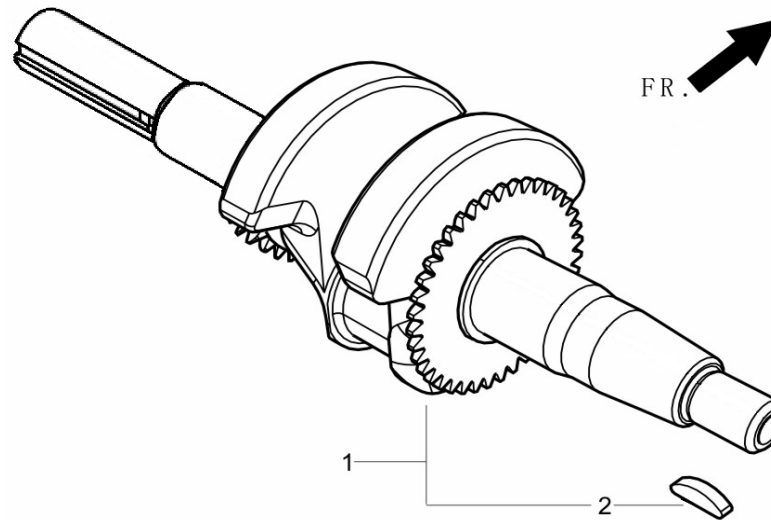
REF.NO.	PART NO	DESCRIPTION	Q'TY	
E02-1	11310-Z140520-0000	CRANKCASE ASSY.	1	1
E02-2	16400-Z010110-0000	GEAR ASSY, GOVERNOR	1	1
E02-3	16061-Z010110-0000	ARM, GOVERNOR	1	1
E02-4	11007-Z010110-0000	BOLT, DRAIN PLUG	2	1
E02-5	90408-Z010110-0000	WASHER	2	1
E02-6	90548-0205-CL	BEARING	1	1
E02-7	90682-Z010110-0000	SEAL, OIL	1	1
E02-8	90408-Z010210-0000	WASHER, GOVERNOR GEAR	1	1
E02-9	90501-Z010110-0000	PIN	1	1

**FIG.3 COVER SUBASSEMBLY, CRANKCASE (E03)**



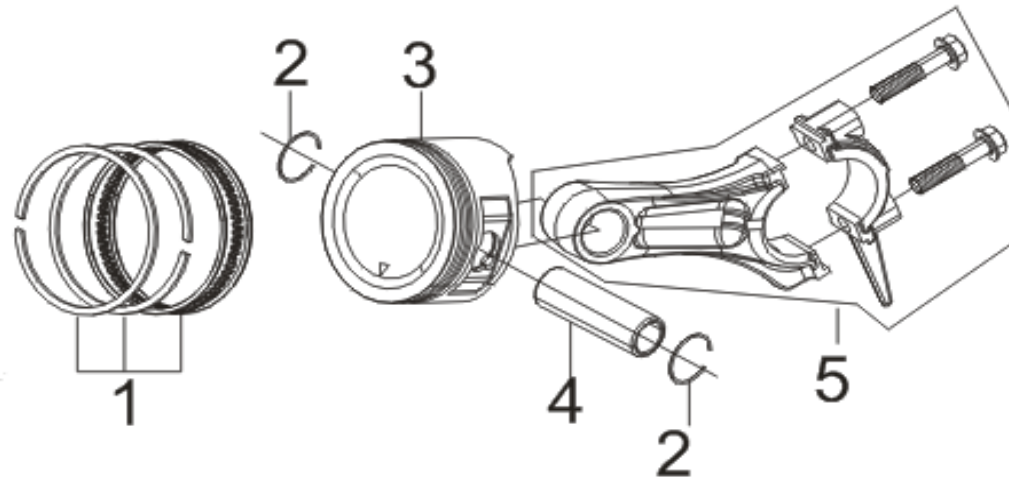
REF.NO.	PART NO	DESCRIPTION	Q'TY	
E03-1	11411-Z010410-0000	COVER, CRANKCASE	1	1
E03-2	90548-0205-CL	BEARING	1	1
E03-3	90682-Z010110-0000	SEAL, OIL	1	1
E03-4	11001-Z010120-0000	GASKET, CRANKCASE	1	1
E03-5	90502-0812-00	PIN	2	1
E03-6	15010-Z010120-Q500	DIPSTICK SUBASSEMBLY, OIL	1	1
E03-8	15030-Z010120-Q500	PLUG SUBASSEMBLY, ENGINE OIL	1	1
E03-9	90001-0832-01	BOLT	6	1

**FIG.4 ROD,CRANKSHAFT CONNETING (E04)**



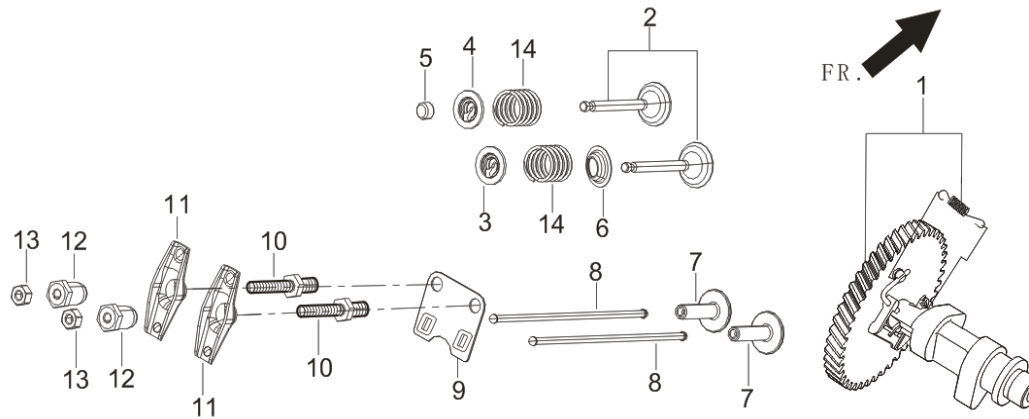
REF.NO.	PART NO	DESCRIPTION	Q'TY	
E04-1	13300-Z141410-0000	CRANKSHAFT ASSY.	1	1

**FIG.5 RING SET,OIL / ROD,CRANKSHAFT CONNETING ( E05 )**



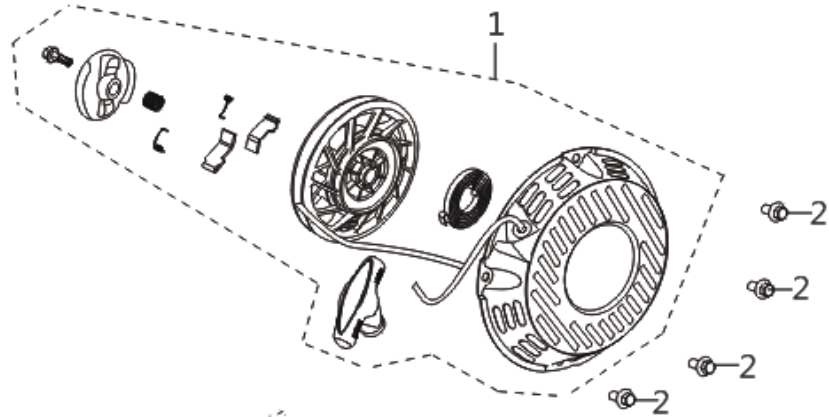
REF.NO.	PART NO	DESCRIPTION	Q'TY	
E05-1	13200-Z140210-0099	PISTON RINGS SET	1	1
E05-2	13122-Z010110-0000	CLIP, PISTON PIN	2	1
E05-3	13111-Z140220-0099	PISTON	1	1
E05-4	13121-Z010110-0000	PIN, PISTON	1	1
E05-5	13010-Z440210-0099	ROD, CONNECTING	1	1

**FIG.6 TRAIN,VALVE / CAMSHAFT SUBASSEMBLY ( E06 )**



REF.NO.	PART NO	DESCRIPTION	Q'TY	
E06-1	14200-Z300210-0000	CAMSHAFT ASSY.	1	1
E06-2	12110-Z010110-0000	VALVES SET	1	1
E06-3	12112-Z010110-0000	SEAT, VALVE SPRING	1	1
E06-4	12107-Z010110-0000	RETAINER , EXHAUST VALVE	1	1
E06-5	12104-Z010110-0000	ROTATOR, VALVE	1	1
E06-6	12101-Z010110-0000	GUIDE, SEAL	1	1
E06-7	14081-Z040110-0000	TAPPET, VALVE	2	1
E06-8	14071-Z010110-0000	LIFTER, VALVE	2	1
E06-9	14090-Z010110-0000	PLATE SUBASSEMBLY, LIFTER STOPPER	1	1
E06-10	14313-Z010110-0000	BOLT, VALVE ADJUSTING	2	1
E06-11	14311-Z010110-0000	ROCKER, VALVE	2	1
E06-12	14314-Z010110-0000	NUT , VALVE ADJUSTING	2	1
E06-13	14312-Z010110-0000	NUT, VALVE LOCK	2	1
E06-14	12103-Z010110-0000	SPRING, VALVE	2	1

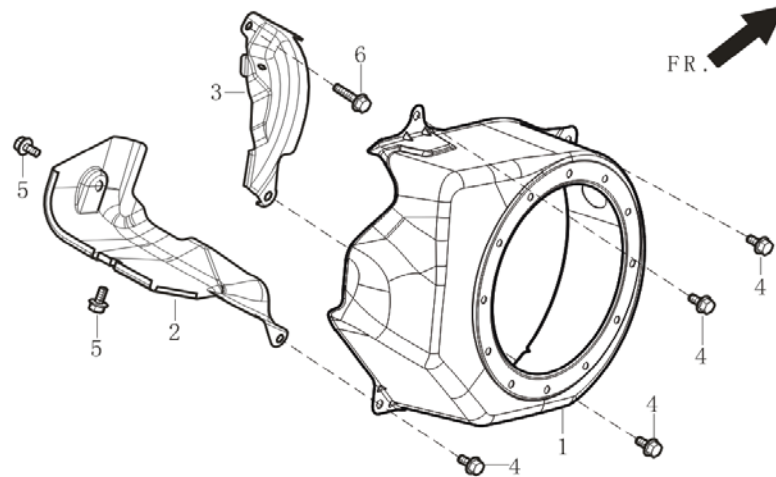
**FIG.7 STARTER,RECOIL ( E07 )**



REF.NO.	PART NO	DESCRIPTION	Q'TY	
E07-1	28200-Z140110-H600	STARTER ASSY, RECOIL	1	1
E07-2	90001-0608-01	BOLT	3	1

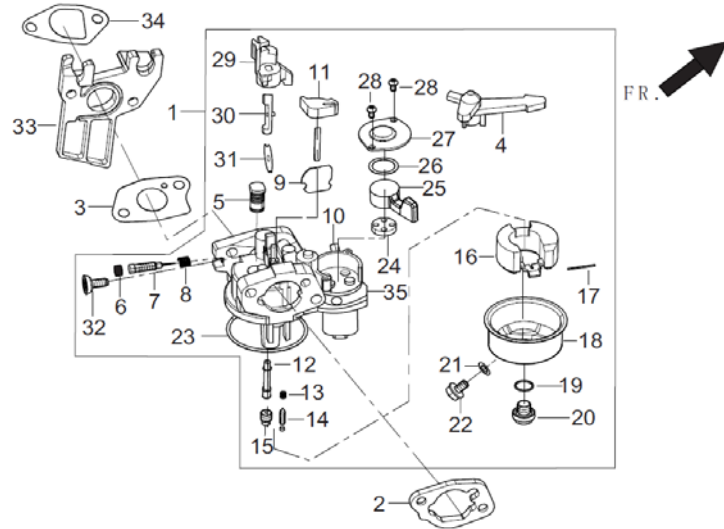


**FIG.8 SHROUD / SHIELD,LOWER ( E08 )**



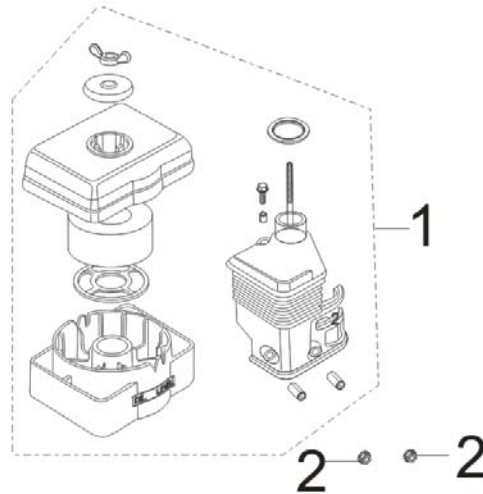
REF.NO.	PART NO	DESCRIPTION	Q'TY	
E08-1	28110-Z010410-RU00	SHROUD	1	1
E08-2	19304-Z010410-0000	SHROUD, CYLINDER BODY	1	1
E08-3	19340-Z010510-0000	SHIELD,LOWER	1	1
E08-4	90001-0612-01	BOLT	4	1
E08-5	90001-0610-01	BOLT	2	1
E08-6	90001-0616-01	BOLT	1	1

**FIG.9 CARBURETOR ASSY. ( E09 )**



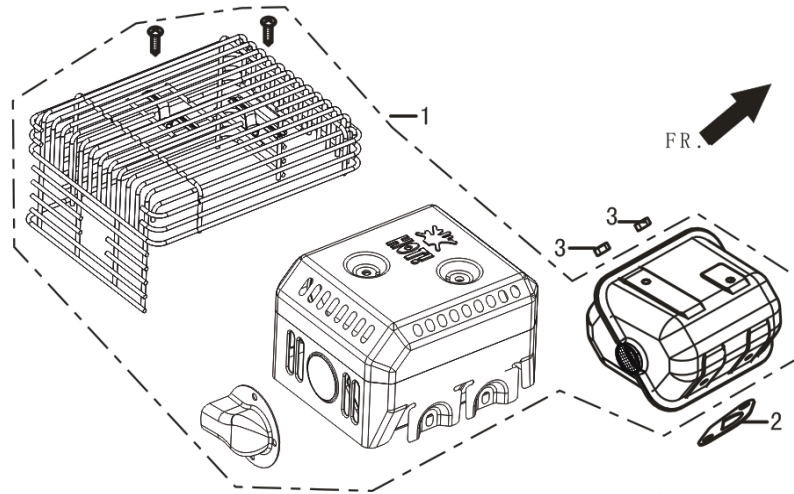
REF.NO.	PART NO	DESCRIPTION	Q'TY	
E09-1	16100-Z040210-0000	CARBURETOR ASSY.	1	1
E09-2	17001-Z010210-0000	GASKET, AIR CLEANER	1	1
E09-3	16001-Z010110-0000	GASKET, CARBURETOR	1	1
E09-33	16003-Z010110-0000	PLATE, CARBURETOR INSULATOR	1	1
E09-34	16002-Z010110-0000	GASKET, CARBURETOR INSULATOR	1	1

**FIG.10 CLEANER, AIR ( E10 )**



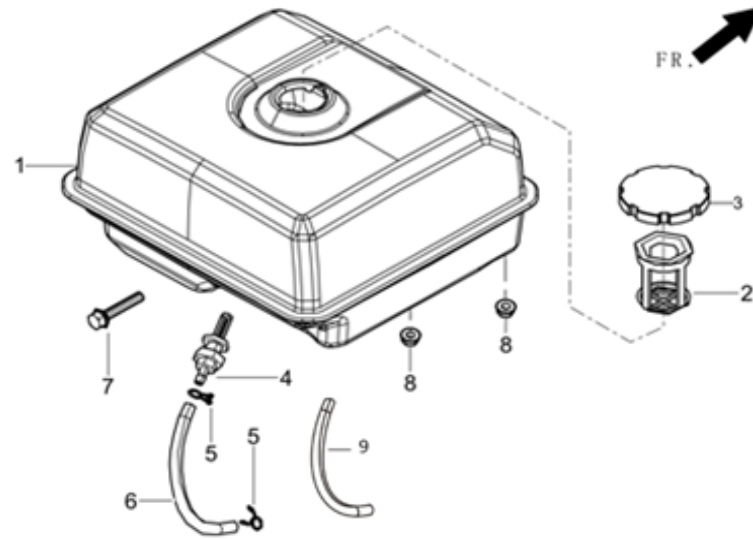
REF.NO.	PART NO	DESCRIPTION	Q'TY	
E10-1	17100-Z010410-0000	CLEANER, AIR	1	1
E10-2	90305-0600-31	NUT	2	1

**FIG.11 MUFFLER ASSY. ( E11 )**



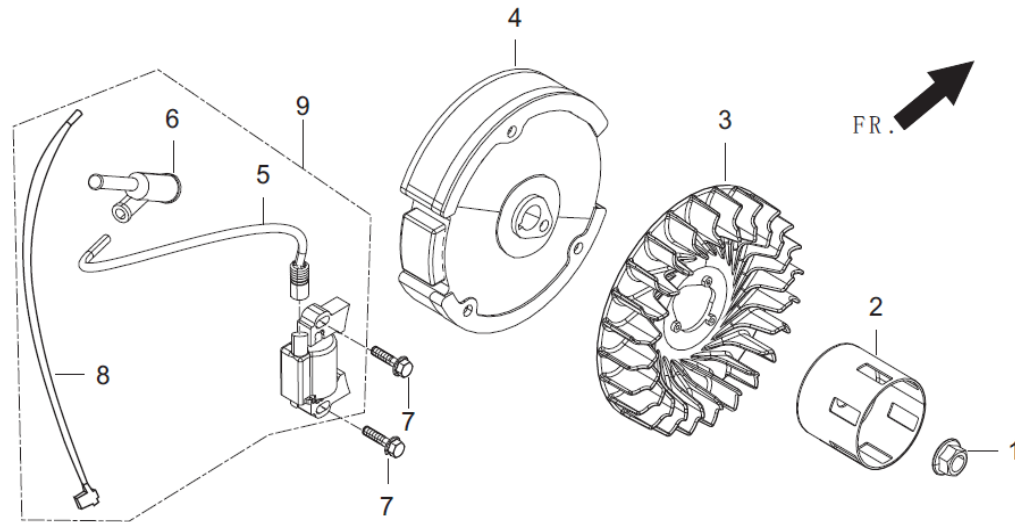
REF.NO.	PART NO	DESCRIPTION	Q'TY	
E11-1	18100-Z013610-0000	MUFFLER ASSY	1	1
E11-2	18001-Z010110-0000	GASKET, EXHAUST OUTLET	1	1
E11-3	90303-0800-31	NUT	2	1

**FIG.12 TANK ASSY, FUEL ( E12 )**



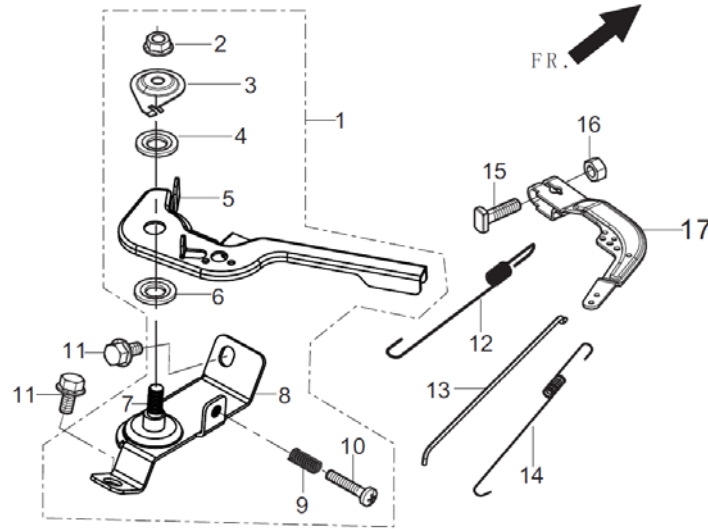
REF.NO.	PART NO	DESCRIPTION	Q'TY	
E12-1	16620-Z440210-H600	TANK, FUEL	1	1
E12-2	16652-Z010610-0000	STRAINER , FUEL	1	1
E12-3	16730-Z010820-QB00	COVER, FUEL TANK	1	1
E12-4	16680-Z010110-0000	OUTLET SUBASSEMBLY, FUEL TANK OIL	1	1
E12-5	90740-Z010210-0000	COLLAR	2	1
E12-6	90686-Z010510-0000	TUBE, FUEL	1	1
E12-7	90007-0630-A1	BOLT	1	1
E12-8	90305-0600-31	NUT	2	1
E12-9	30431-Z010110-0000	JACKET, RUBBER	1	1

**FIG.13 FLYWHEEL / IMPELLER / STARTER PULLEY / IGNITION COIL ( E13 )**

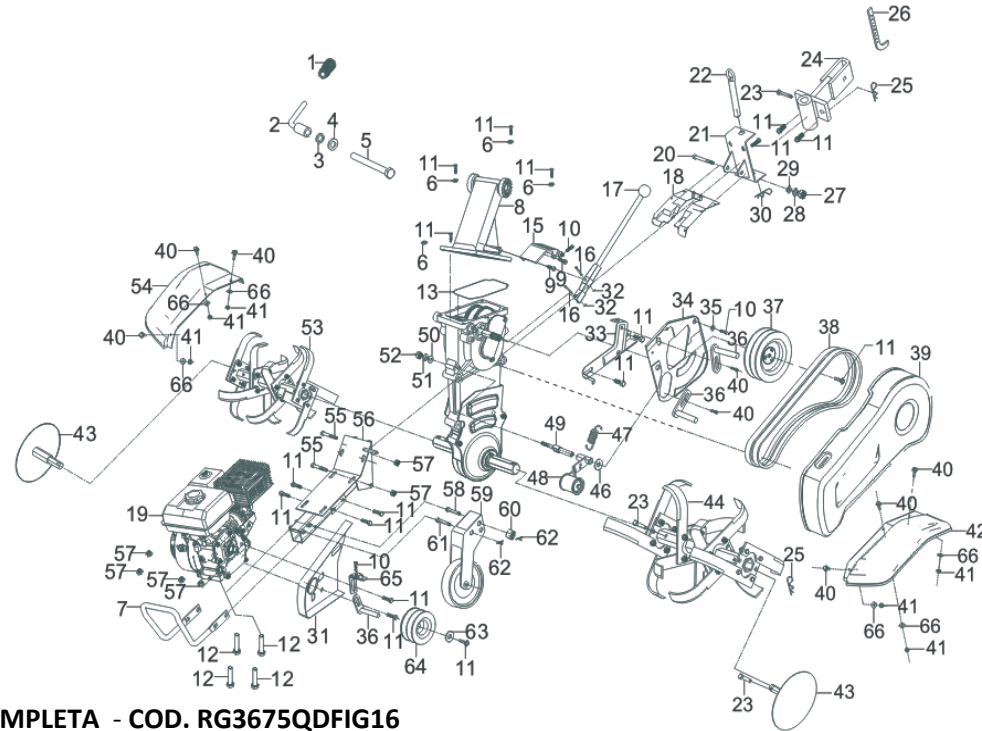


REF.NO.	PART NO	DESCRIPTION	Q'TY	
E13-1	13501-Z010110-0000	NUT, FLYWHEEL	1	1
E13-2	28002-Z300110-0000	PULLEY,STARTER	1	1
E13-3	19352-Z010110-0000	IMPELLER	1	1
E13-4	13510-Z010110-0000	FLYWHEEL SUBASSEMBLY	1	1
E13-7	90001-0625-01	BOLT	2	1
E13-9	30400-Z440110-0100	COIL, IGNITION	1	1

**FIG.14 CONTROL ASSY, THROTTLE ( E14 )**



REF.NO.	PART NO	DESCRIPTION	Q'TY	
E14-1	16520-Z011710-0000	CONTROL ASSY, THROTTLE	1	1
E14-11	90001-0610-01	BOLT	2	1
E14-12	16063-Z050410-0000	SPRING, GOVERNOR	1	1
E14-13	16062-Z010110-0000	ROD, GOVERNEOR	1	1
E14-14	16012-Z010110-0000	SPRING, THROTTLE VALVE RETURNING	1	1
E14-15	16072-Z010110-0000	BOLT, GOVERNOR SUPPORT	1	1
E14-16	90305-0600-31	NUT	1	1
E14-17	16070-Z010110-0000	SUPPORT SUBASSEMBLY, GOVERNOR	1	1

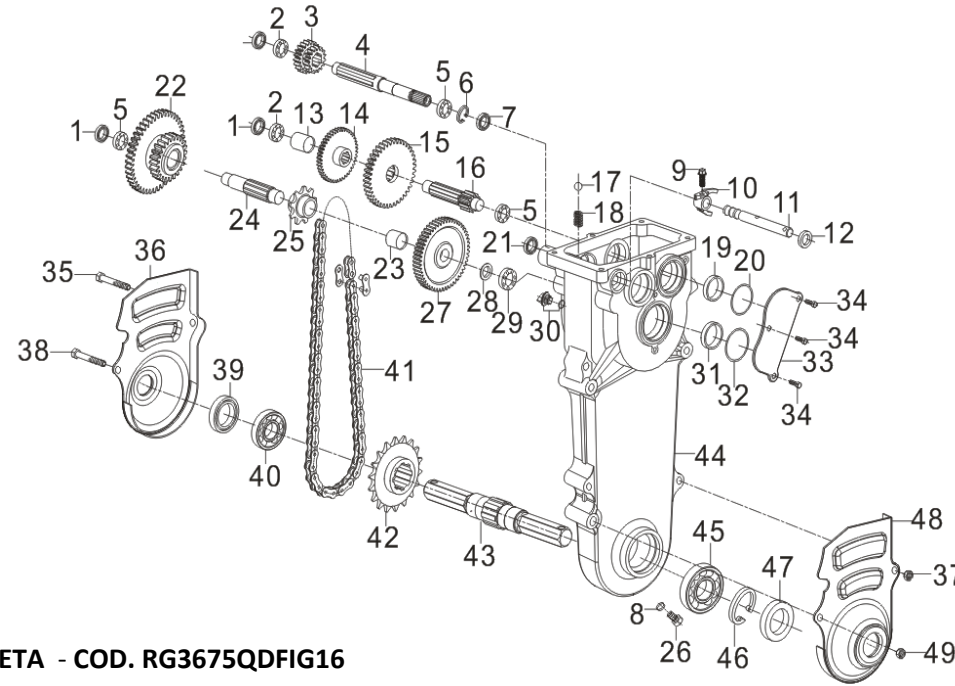
**FIG.15****TRANSMISION COMPLETA - COD. RG3675QDFIG16**

REF.NO.	PART NO	DESCRIPTION	Q'TY	
E15-1	54101-U080110	SLEEVE, HANDLE RUBBER	1	1
E15-2	54203-U080110	LOCKING HANDLE	1	1
E15-3	90403-1600-01	WASHER , FLAT	1	1
E15-4	90408-1600-E1	WASHER , FLAT	1	1
E15-5	90004-U070110-01	HEX BOLT	1	1
E15-6	90403-0800-Z1	WASHER , FLAT	4	1
E15-7	58410-U070110-H600	GUARD	1	1
E15-8	54200-U070210-GQ00	HANDLE BASE ASSY.	1	1
E15-9	90001-0610-01	BOLT	2	1
E15-10	90001-0616-01	BOLT	3	1
E15-11	90001-0820-01	BOLT	16	1
E15-12	90001-0840-01	BOLT	4	1
E15-13	11062-U070110	GASKET , TRANSMISSION BOX COVER	1	1



E15-15	54204-U070110-0000	BRACKET	1	1
E15-16	90504-U070210-0000	PIN ROLL	2	1
E15-17	54205-U070110-0000	GEAR LEVER	1	1
E15-18	76007-U070610-GQ00	TINE SHIELD	1	1
E15-19	R210MR000WC-PTS002	ENGINE 212CC	1	1
E15-20	90004-1095-01	HEX BOLT	1	1
E15-21	76025-U070110-0000	TRAILER RING	1	1
E15-22	90504-U070410-0000	PIN ROLL	1	1
E15-23	90504-U070110-0000	PIN ROLL	3	1
E15-24	76024-U070210-H600	CONNECTOR	1	1
E15-25	90583-0238-01	R -PIN	2	1
E15-26	76016-U080110-H600	FRONT AND REAR BRACKET	1	1
E15-27	90303-1000-31	NUT	1	1
E15-28	90403-1000-01	WASHER , FLAT	1	1
E15-29	90408-1000-E1	WASHER , FLAT	1	1
E15-30	90583-3581-01	R -PIN	1	1
E15-31	51143-U070310-0000	PLATE , BOTTOM	1	1
E15-32	90583-0125-01	R -PIN	2	1
E15-33	76217-U070110-0000	BRACKET FOR TENSION CABLE	1	1
E15-34	51143-U070210-0000	PLATE , BOTTOM	1	1
E15-35	90406-0600-E1	WASHER , FLAT	1	1
E15-36	76215-U070210-0000	TENSIONING BLOCK	3	1
E15-37	76305-U070310-0000	BELT PULLEY	1	1
E15-38	76304-U070210-0000	TRANSMISSION PULLEY	2	1
E15-39	76306-U070310-H600	BELT COVER	1	1
E15-40	90001-0616-01	BOLT	8	1
E15-41	90325-0600-31	NON-METALLIC HEX LOCK BOLT	6	1
E15-42	76007-U060210-GQ00	TINE SHIELD	1	1
E15-43	76723-U070110	TRIMMING WHEEL	2	1
E15-44	76700-U070110	DEVICE SUBASSEMBLY, REVOLVE TILLING	1	1
E15-46	90401-0600-01	WASHER , FLAT	1	1
E15-47	72106-U070110-0000	SPRING, TENSION	1	1
E15-48	76307-U070110-0000	BELT TENSION PULLEY	1	1

E15-49	76216-U070110-0000	IDLER SHAFT	1	1
E15-50	90408-0800-E1	WASHER , FLAT	1	1
E15-51	90403-0800-Z1	WASHER , FLAT	1	1
E15-52	90303-0800-31	NUT	1	1
E15-53	76700-U070210	DEVICE SUBASSEMBLY, REVOLVE TILLING	1	1
E15-54	76007-U060310-GQ00	TINE SHIELD	1	1
E15-55	90001-0865-01	BOLT	2	1
E15-56	51211-U070110-H300	DEAD PLATE	1	1
E15-57	90305-Z010110-0000	NUT	6	1
E15-58	90015-1080-01	BOLT	1	1
E15-59	44100-U070210-0000	WHEEL ASSY, FRONT	1	1
E15-60	90307-1000-01	HEXAGON SLOTTED NUT	1	1
E15-61	90504-1070-01	PIN ROLL	1	1
E15-62	90501-2525-01	PIN	2	1
E15-63	90412-U070410-0000	WASHER , FLAT	1	1
E15-64	76305-U070410-0000	BELT PULLEY	1	1
E15-65	76215-U070110-0000	TENSIONING BLOCK	1	1
E15-66	90406-0600-E1	WASHER , FLAT	6	1

**FIG.16****TRANSMISSION COMPLETA - COD. RG3675QDFIG16**

REF.NO.	PART NO	DESCRIPTION	Q'TY	
E16-1	28101-U070110-0000	PLUG, RUBBER	3	1
E16-2	90548-0002-CL		2	1
E16-3	28301-U070110-0000	GEAR, DUPLICATE	1	1
E16-4	23501-U070110-0000	MAINSHAFT	1	1
E16-5	90548-0202-CL	BEARIN , DEEP GROOVE BALL	3	1
E16-6	90571-3500-06	CIRCLIP FOR HOLE	1	1
E16-7	90682-U070110-0000	SEAL, OIL	1	1
E16-8	90408-Z010110-0000	WASHER , FLAT	1	1
E16-9	90001-0616-01	BOLT	1	1
E16-10	24421-U070110-0000	FORK, SHIFTS	1	1
E16-11	24422-U070210-0000	AXIS, SHIFTS FORK	1	1
E16-12	90682-U070410-0000	SEAL, OIL	1	1
E16-13	90683-U070610-0000	BUSH	1	1
E16-14	23611-U070120-0000	GEAR 1ST, COUNTERSHAFT	1	1

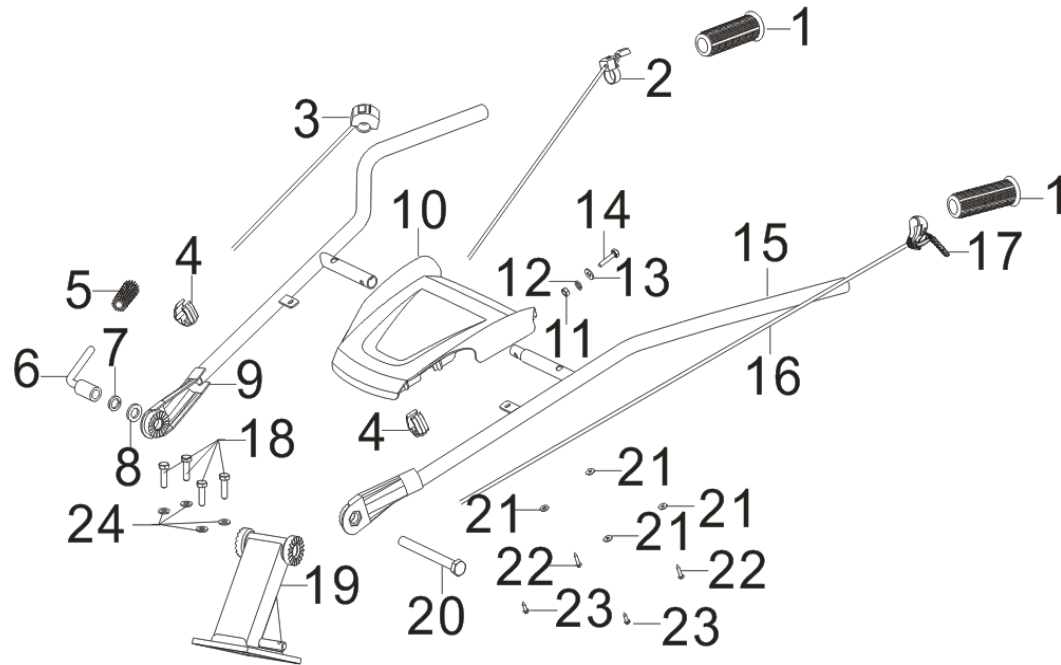
E16-15	23621-U070210-0000	GEAR 2ND, COUNTERSHAFT	1	1
E16-16	23601-U070110-0000	COUNTERSHAFT	1	1
E16-17	90543-6300-00	BALL, STEEL	1	1
E16-18	24524-U070110-0000	SPRING , STOPPER	1	1
E16-19	90683-U070210-0000	BUSH	1	1
E16-20	90692-U070110-0000	O-RING RUBBER SEAL	1	1
E16-21	28101-U070210-0000	PLUG, RUBBER	1	1
E16-22	28301-U070310-0000	GEAR, DUPLICATE	1	1
E16-23	90683-U070310-0000	BUSH	1	1
E16-24	40201-U070110-0000	DRIVE SHAFT	1	1
E16-25	42011-U070110-0000	SPROCKET, WHEEL	1	1
E16-26	11007-Z450110-0000	BOLT, DRAIN PLUG	1	1
E16-27	23711-U070110-0000	GEAR, INTERMEDIATE	1	1
E16-28	90412-U070110-0000	WASHER , FLAT		1
	90412-U070210-0000	WASHER , FLAT		1
	90412-U070310-0000	WASHER , FLAT		1
E16-29	90548-0203-CL	BEARIN , DEEP GROOVE BALL	1	1
E16-30	15030-U070110-G400	PLUG SUBASSEMBLY, ENGINE OIL	1	1
E16-31	90683-U070410-0000	BUSH	1	1
E16-32	90692-U070210-0000	O-RING RUBBER SEAL	1	1
E16-33	12441-U070110-0000	SEAL , GUIDE	1	1
E16-34	90001-0612-01	BOLT	3	1
E16-35	90001-0650-01	BOLT	1	1
E16-36	50115-U070210-H300	PROTECTING PLATE	1	1
E16-37	90305-0600-31	NUT	1	1
E16-38	90001-0860-01	BOLT	1	1
E16-39	90682-U070210	SEAL, OIL	1	1
E16-40	90548-0005-CL	BEARIN , DEEP GROOVE BALL	1	1
E16-41	90710-U070110-0000	CHAIN	1	1
E16-42	42011-U070210-0000	SPROCKET, WHEEL	1	1
E16-43	76315-U070110-0000	OUTPUT SHAFT	1	1
E16-44	76351-U070110-H300	BOX BODY, TRANSMISSION	1	1
E16-45	90548-0205-CL	BEARIN , DEEP GROOVE BALL	1	1

CREADO COMO  
90682-U07210



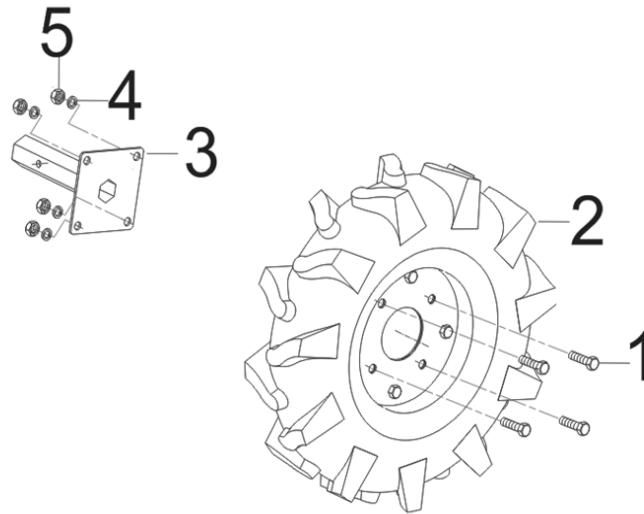
E16-46	90571-5200-06	CIRCLIP FOR HOLE	1	1
E16-47	90682-U070310-0000	SEAL, OIL	1	1
E16-48	50115-U070110-H300	PROTECTING PLATE	1	1
E16-49	90305-0800-31	NUT	1	1

**FIG.17**



REF.NO.	PART NO	DESCRIPTION	Q'TY	
E17-1	54101-U070110-0000	SLEEVE, HANDLE RUBBER	2	1
E17-2	16550-U070310-0000	THROTTLE SWITCH ASSEMBLY	1	1
E17-3	35540-U220110-0000	SWITCH SUBASSEMBLY, STOP ENGINE	1	1
E17-4	90684-U110110-0000	CLIP	2	1
E17-5	54101-U060110-0000	SLEEVE, HANDLE RUBBER	2	1
E17-6	54203-U080110-0000	LOCKING HANDLE	1	1
E17-7	90403-1600-01	WASHER , FLAT	1	1
E17-8	90408-1600-E1	WASHER , FLAT	1	1
E17-9	54110-U070520	HANDLE TUBE ASSY	1	1
E17-10	54125-U060110-Q200	PANEL	1	1
E17-11	90303-0800-31	NUT	1	1
E17-12	90403-0800-Z1	WASHER , FLAT	1	1
E17-13	90406-0800-E1	WASHER , FLAT	1	1
E17-14	90005-0835-01	HEX BOLT	1	1

E17-15	54110-U070420	HANDLE TUBE ASSY	1	1
E17-16	54020-U070110-0000	CABLE, CLUTCH	1	1
E17-17	54035-U060110-0000	HANDLE,IDLE CONTROL	1	1
E17-18	90001-0820-01	BOLT	4	1
E17-19	54200-U070210-GQ00	HANDLE BASE ASSY.	1	1
E17-20	90004-U070110-0000	HEX BOLT	1	1
E17-21	90406-0500-31	WASHER , FLAT	4	1
E17-22	90107-4819-01	SCREW	2	1
E17-23	90107-4813-01	SCREW	2	1
E17-24	90403-0800-Z1	WASHER , FLAT	4	1

**FIG.18**

REF.NO.	PART NO	DESCRIPTION	Q'TY	
E18-1	90005-1025-01	HEX BOLT	8	1
E18-2	76008-U070110-H600	WHEEL, TRANSPORTION	2	1
E18-3	42002-U070110-H600	SHAFT , REAR WHEEL	2	1
E18-4	90403-1000-01	WASHER , FLAT	8	1
E18-5	90303-1000-31	NUT	8	1