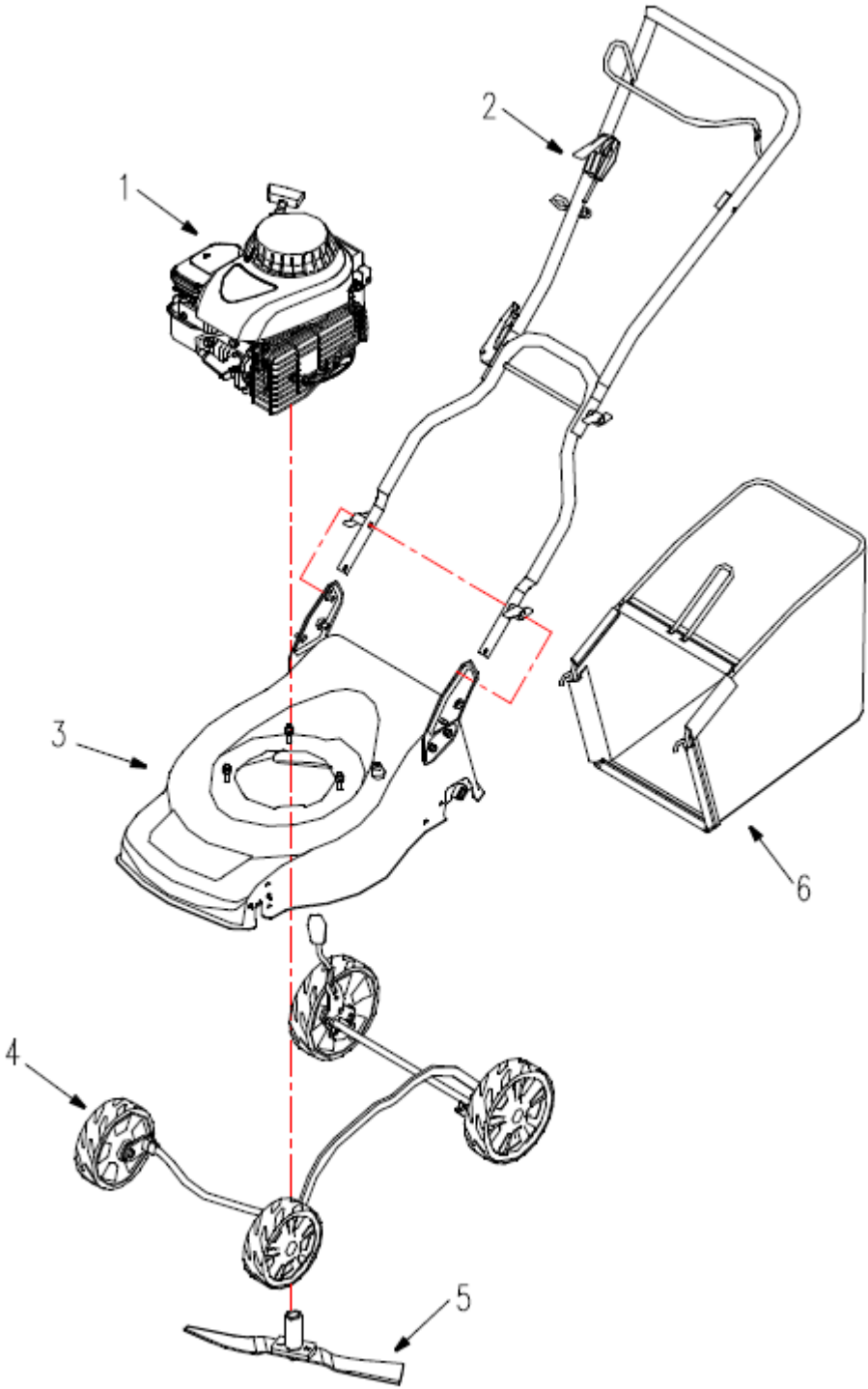
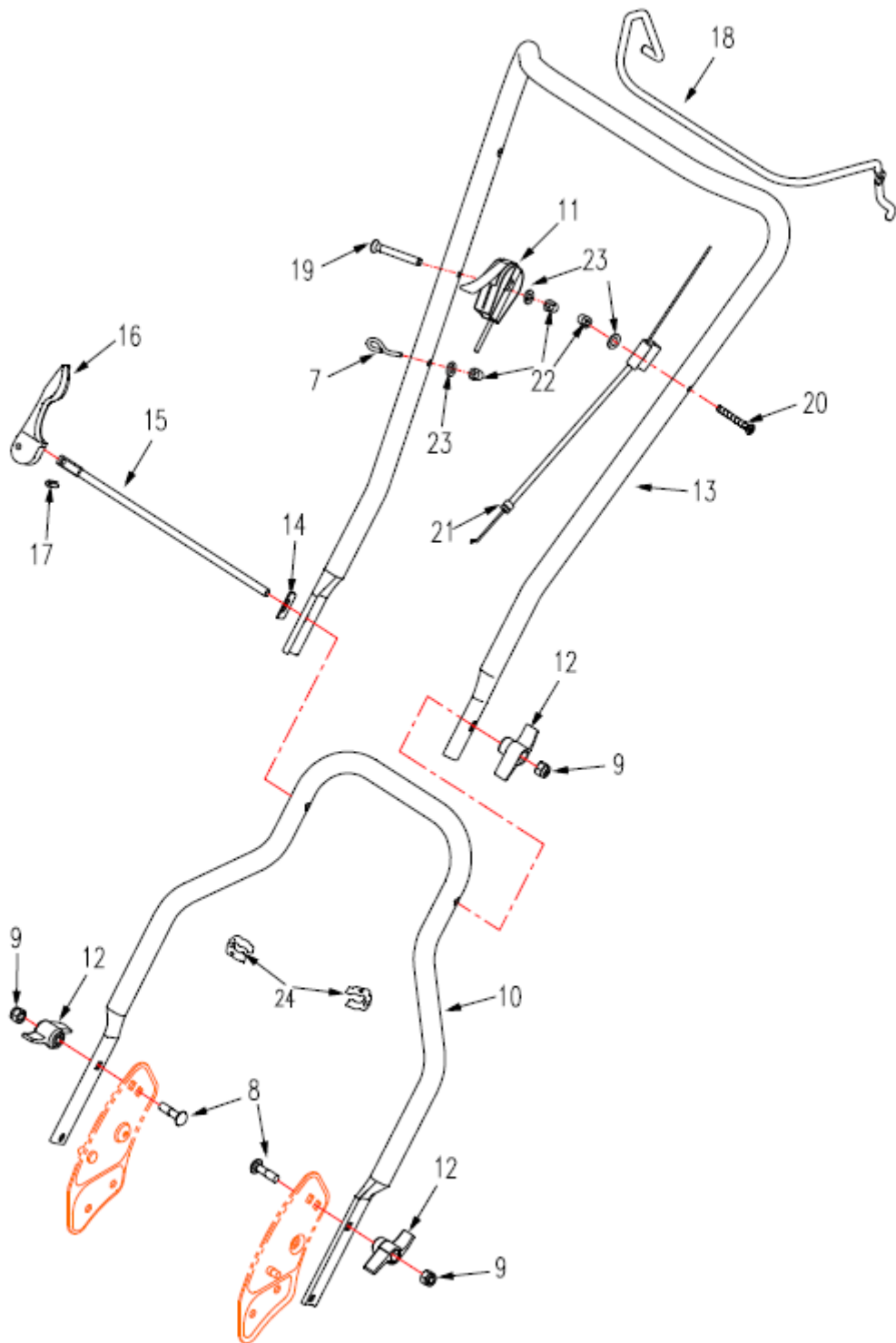
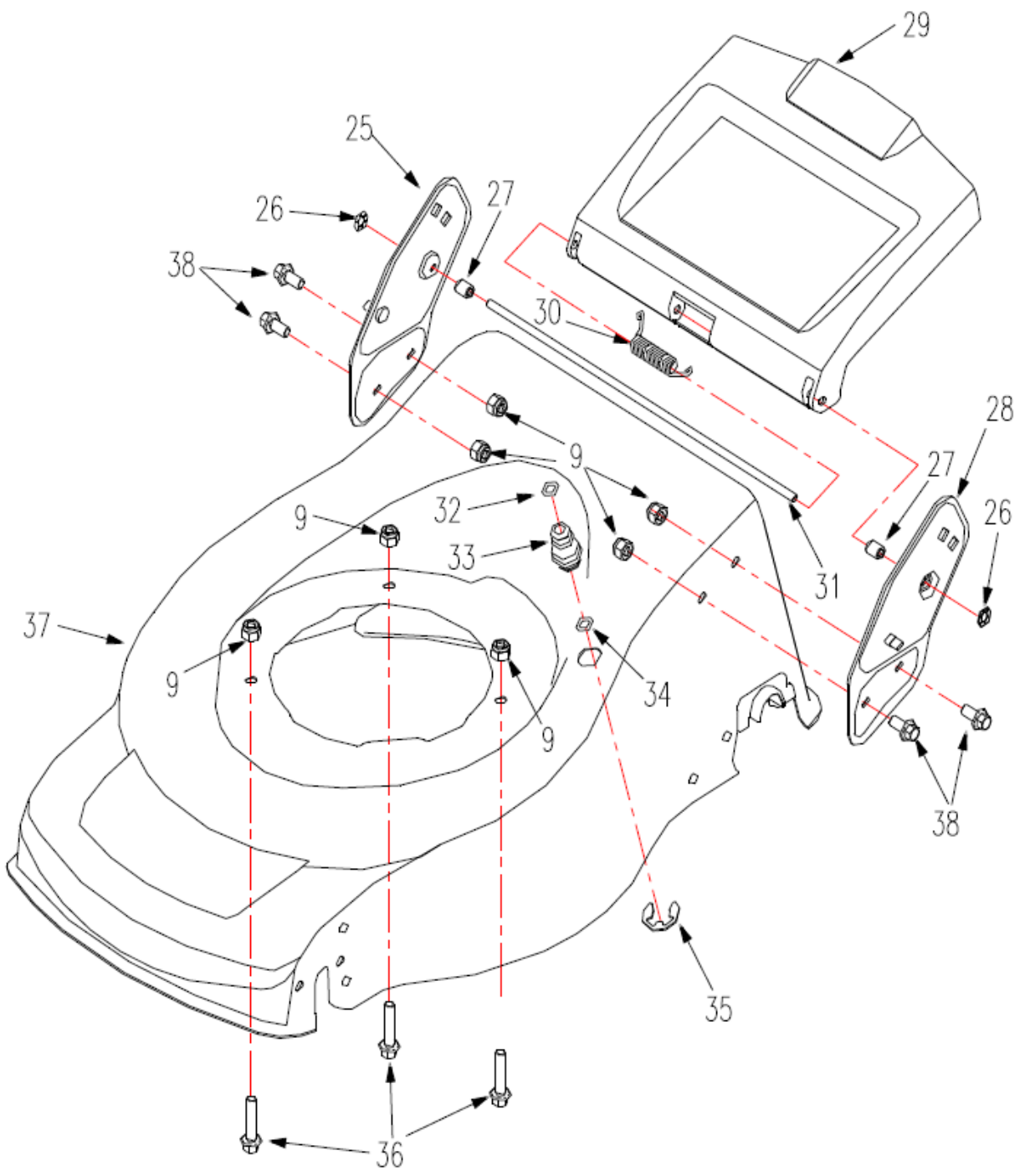
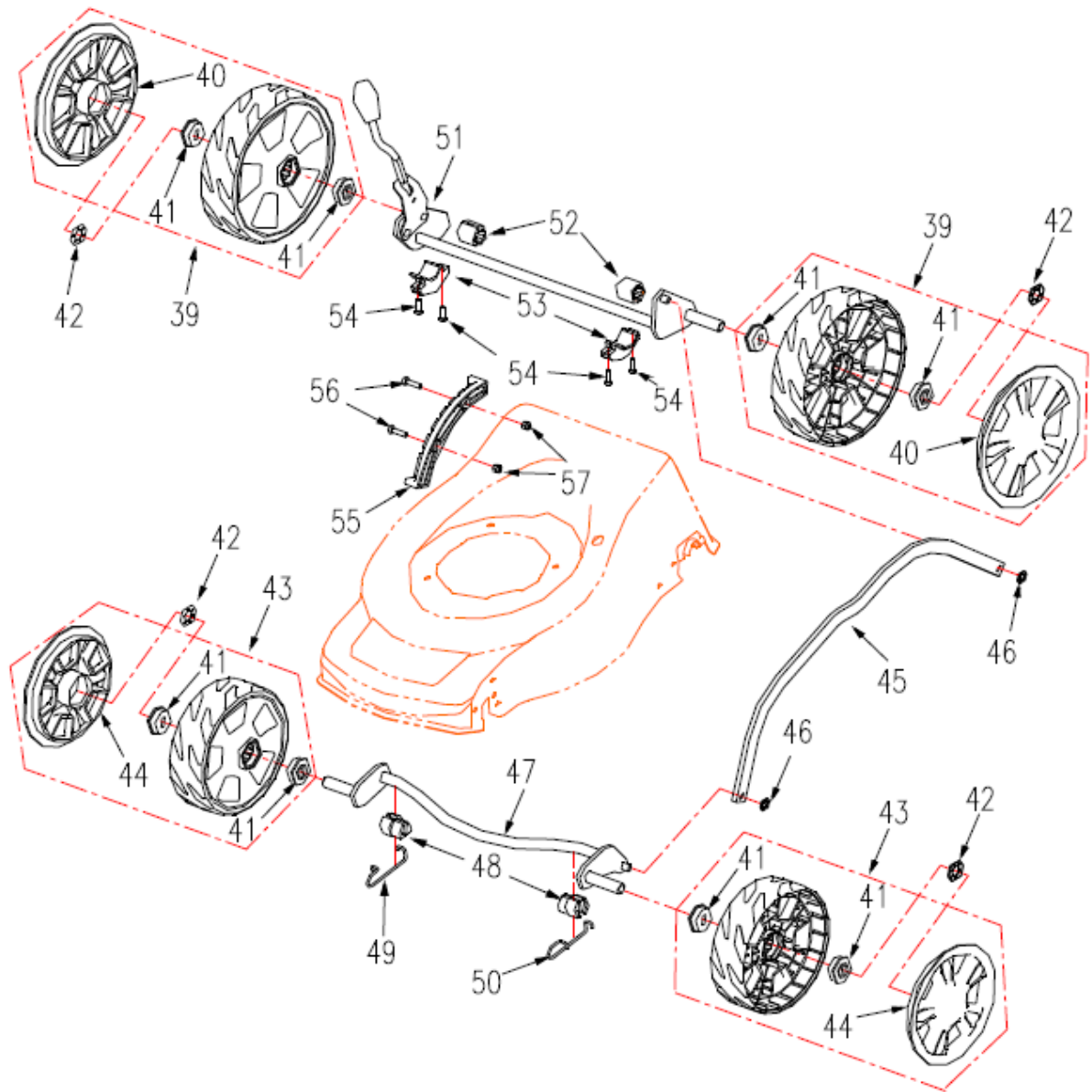


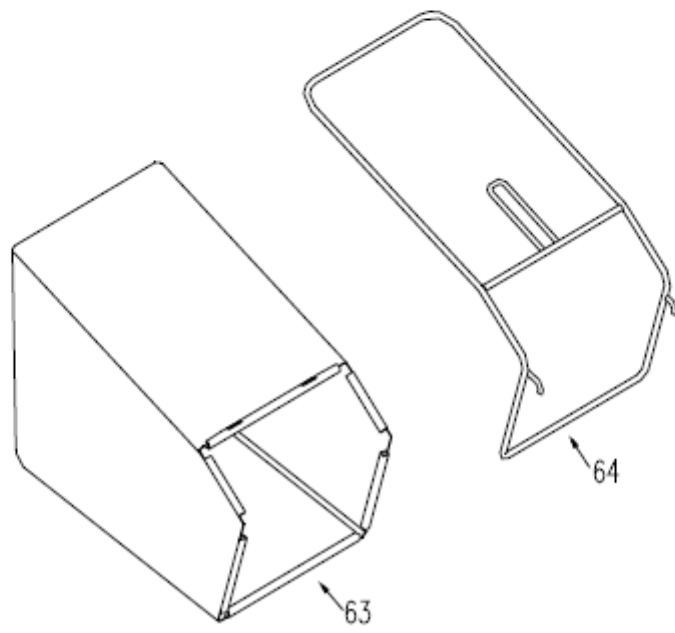
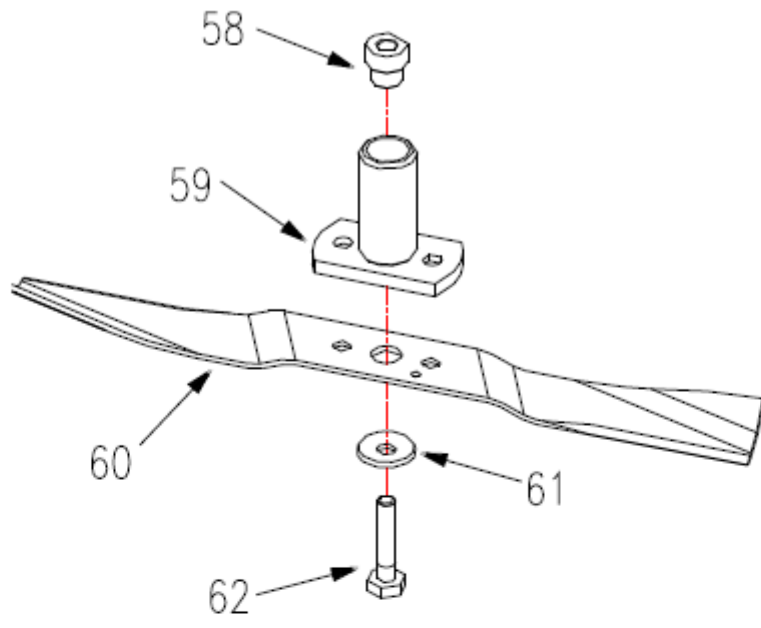
RASAERBA WYS16-BS35-A/TAURUS 41
LAWNMOWER WYS16-BS35-A/TAURUS 41











RASAERBA WYS16-BS35-A/TAURUS 41 LISTA PARTI
LAWNMOWER WYS16-BS35-A/TAURUS 41 PARTS LIST

Ref. / Rif.	Part No. / Codice	Description / Descrizione	Quantity / Quantità	
1	09T602	B&S 450series engine motore B&S 450 series	1	
2	WYS16-1	Handlebar & console manubrio e console	1	
3	WYS16-2	Mower deck assembly scocca completa	1	
4	WYS16-3	Drive assembly set asse ruote	1	
5	WYS16-4	Straight blade assembly lama	1	
6	WYS16-5	Grass bag assembly sacco raccogliherba	1	
7	WORD18.6-05B	Guy Hook fermo funicella	1	
8	B801-830	Bolt M8x30mm bullone M8x30mm	2	
9	B6182-8	Nut M8 dado M8	3	
10	1600501	Lower Handle impugnatura inferiore	1	
11	XSS46.7	Throttle Control Assembly leva acceleratore	1	
12	1600506	Knob pomello fissaggio manubrio	3	
13	1600502A	Upper Handle impugnatura superiore	1	
14	1600513	Quick fix flat staffa fissaggio manubrio	1	
15	1600512	Traction screw barra fissaggio manubrio	1	
16	1600511	Quick fix leva sgancio manubrio	1	
17	B879-619	Spring pin 6*19 spinotto molla 6x19	1	
18	1600505	Flywheel brake lever leva freno	1	
19	B820-645	Philips Hd screw M6x45 vite M6X45	1	
20	B820-635	Philips Hd screw M6x35 vite M6X35	1	
21	1600122	Cable Unit cavo freno	1	
22	B923-6	Nut M6 dado M6	3	
23	B97.1-6	Washer 6mm rondella 6mm	3	

24	2011031	Cable Clamp morsetto fissaggio cavo	2	
25	1600128	Right Holder staffa manubrio destra	1	
26	16-6	Star lock washer 6mm rondella 6 mm.	2	
27	1600129	Spacer distanziale	2	
28	1600127	Left Holder staffa manubrio sinistra	1	
29	1600110	Rear Cover coperchio posteriore	1	
30	1600125	Torsion Spring molla torsione	1	
31	1600115	Rod, rear cover barra coperchio posteriore	1	
32	B3452.1-112265	Seal ring 11.2*2.65 anello di tenuta 11.2x2.65	1	
33	1810014	Washing pot manicotto	1	
34	1810015	Washer rondella	1	
35	B896-15	E-Clip 15mm anello di sicurezza 15mm	1	
36	B5787-835	Flange bolt M8*35mm bullone M8X35mm	3	
37	1600100	Deck scocca rasaerba	1	
38	B5787-816	Flange bolt M8*16mm bullone M8X16mm	4	
39	1600070	7" rear wheel ruota posteriore	2	
40	1600072	7" wheel cap mozzo ruota	2	
41	2201002	Bearing cuscinetto ruota	8	
42	16-12.8	Star lock washer 12.8mm rondella 12.8mm	4	
43	1600060	6" front wheel ruota anteriore	2	
44	1600062	6" wheel cap mozzo ruota anteriore	2	
45	1600112	Pull rod barra regolazione altezza	1	
46	16-8	Star lock washer 8mm rondella 8mm	2	
47	1600200	Front wheel shaft assembly asse ruote anteriore	1	
48	4016696	Bronze bushing bronzina	2	
49	4016700	Right fixed spring molla fissaggio destra	1	
50	4016701	Left fixed spring molla fissaggio sinistra	1	

51	1600300	Rear wheel shaft assembly asse ruote posteriore	1	
52	4016683	Rear shaft housing fermi asse posteriore	2	
53	4016680	Rear shaft fixed seat supporto fissaggio asse posteriore	2	
54	B845-4216	Tapping screw ST4.2*16mm vite ST4.2x16mm	4	
55	1600116	Height adjustment rack ghiera regolazione altezza	1	
56	B818-516	Screw M5*16mm vite M5x16mm	2	
57	B6182-5	Nut M5 dado M5	2	
58	1819001	Bushing boccola	1	
59	1911020	Blade adaptor portalama	1	
60	1600119	Blade lama	1	
61	XSZ56-2-17	Washer rondella	1	
62	2200010	He*Hd.Bolt 3/8"-24/1"*2 bullone 3/8"-24/1"*2	1	
63	1600415	Bag frame telaio sacco	1	
64	1600401	Fabric bag sacco raccogliherba	1	