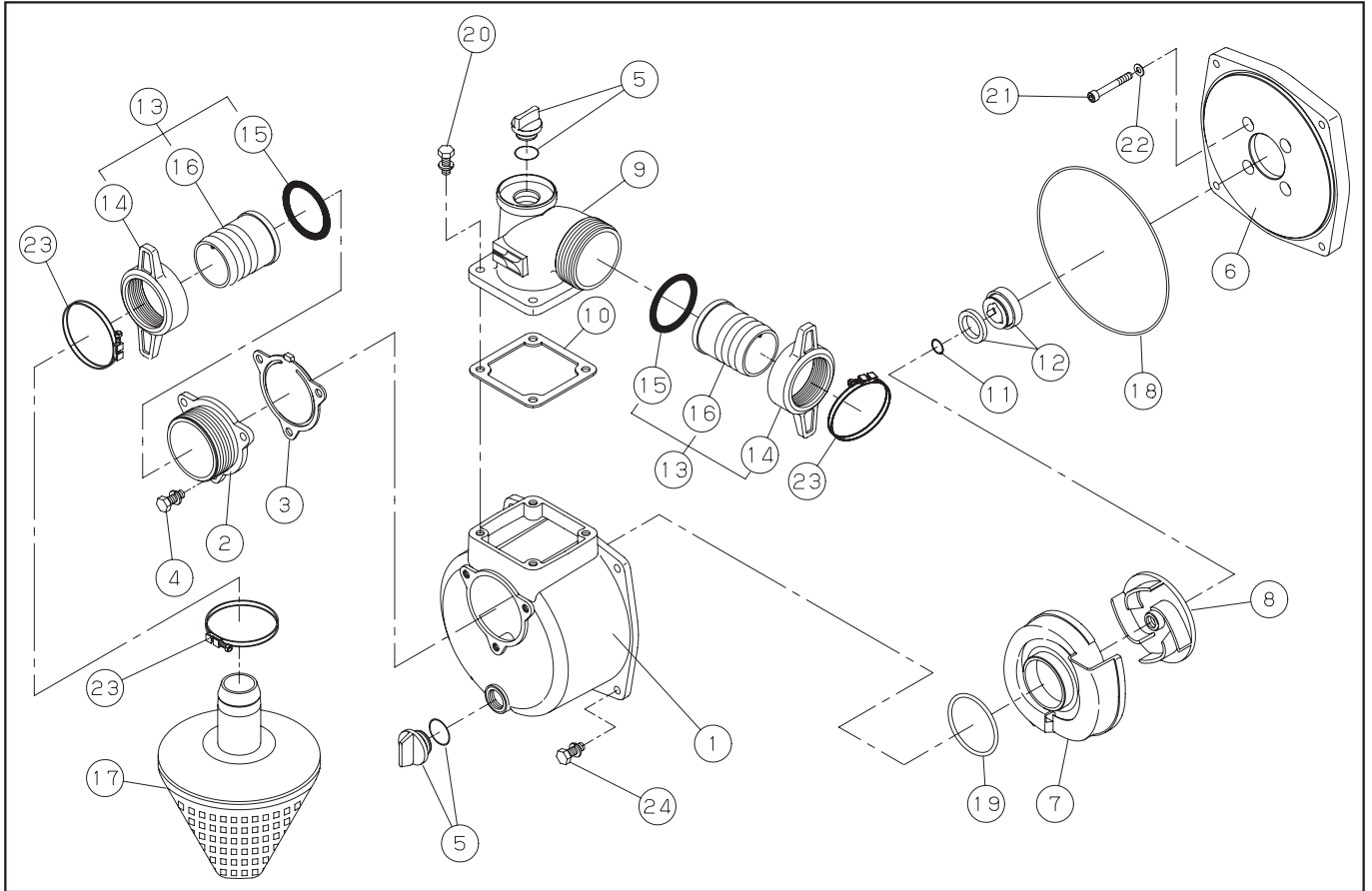


SEH-50X



DWG NO.066858902 MODEL: SEH-50X FORM: SEH-50X-BDK

No.	PARTS CODE	PARTS NAME	QTY	MATERIAL	SIZE	REMARKS
1	011257802	PUMP CASING	1	ADC		
2	011266203	SUCTION FLANGE	1	ADC		
3	011266501	CHECK VALVE	1	NBR		
4	743119045	HEXAGON BOLT	3	SWRM	M8X20	
5	011807802	20A PLUG SET	2			
6	011526802	FLANGE BRACKET	1	ADC		
7	011464001	VOLUTE CASING	1	FC		
8	011571701	IMPELLER	1	FC		
9	011177002	DELIVERY FLANGE	1	ADC		
10	011054102	DELIVERY FLANGE PACKING	1	CR		
11	011551001	IMPELLER ADJUSTING WASHER	3	BSP		
12	011409001	MECHANICAL SEAL	1	EH790-020		
13	011702603	COUPLING SET	2	ABS		
14	011339002	COUPLING	2	ABS		
15	011339101	COUPLING PACKING	2	NBR		
16	011035605	HOSE NIPPLE	2	ABS		
17	011815901	STRAINER SET	1	PP		
18	011501401	O-RING	1	NBR	1517-42.5	
19	011279201	O-RING	1	NBR	P54	
20	743119047	HEXAGON BOLT	4	SWRM	M8X25	
21	734532067	HEXAGON SOCKET BOLT	4	SCM	M8X28	
22	854255008	SEAL WASHER	4		φ 8	
23	940019060	HOSE BAND	3		φ 60	
24	743119046	HEXAGON BOLT	4	SWRM	M8X22	
	011596301	PACKING CASE	1			
	011460505	OPERATION MANUAL	1			

◆ Bare engine can not be supplied