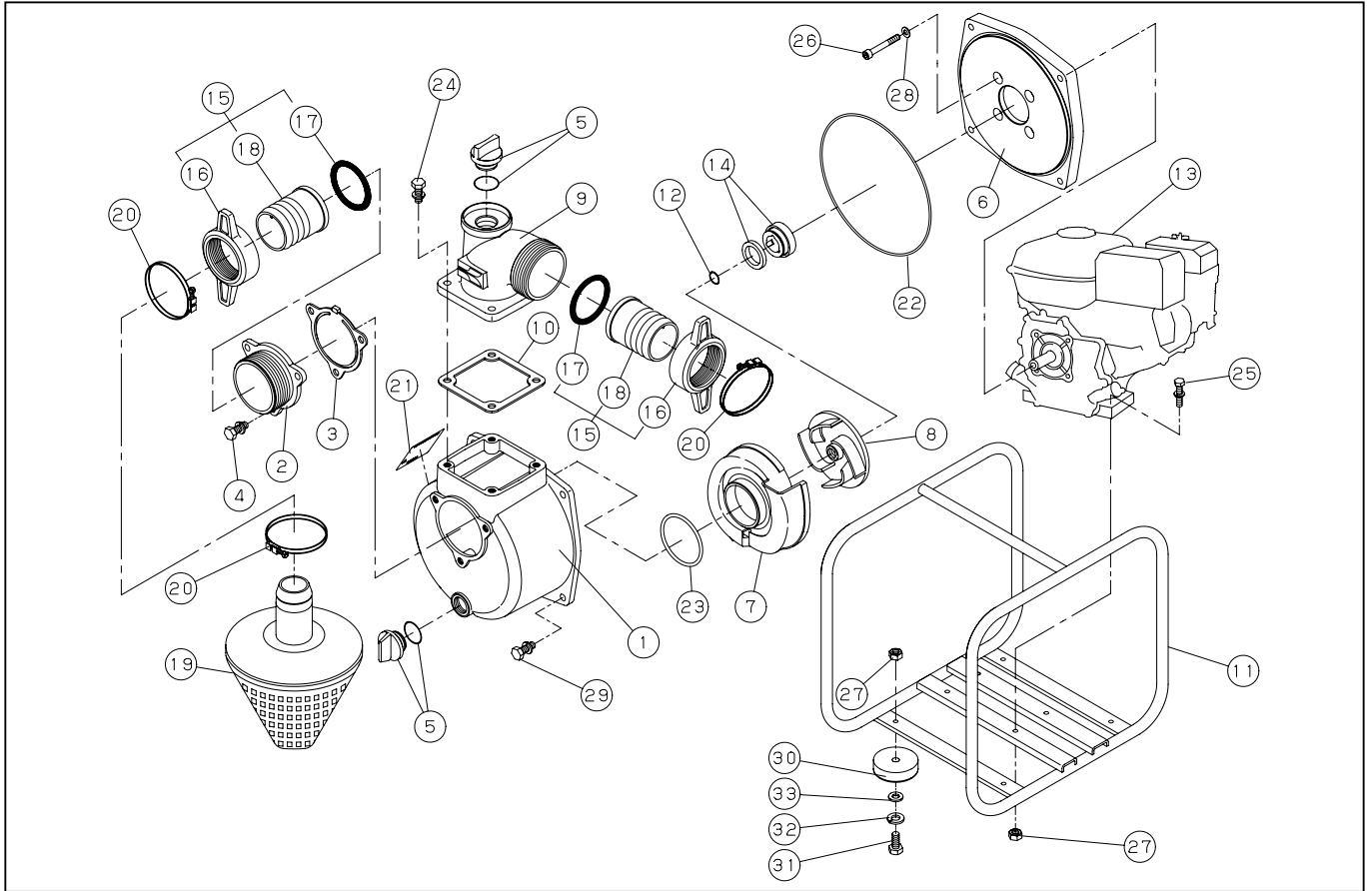


SEH-50X

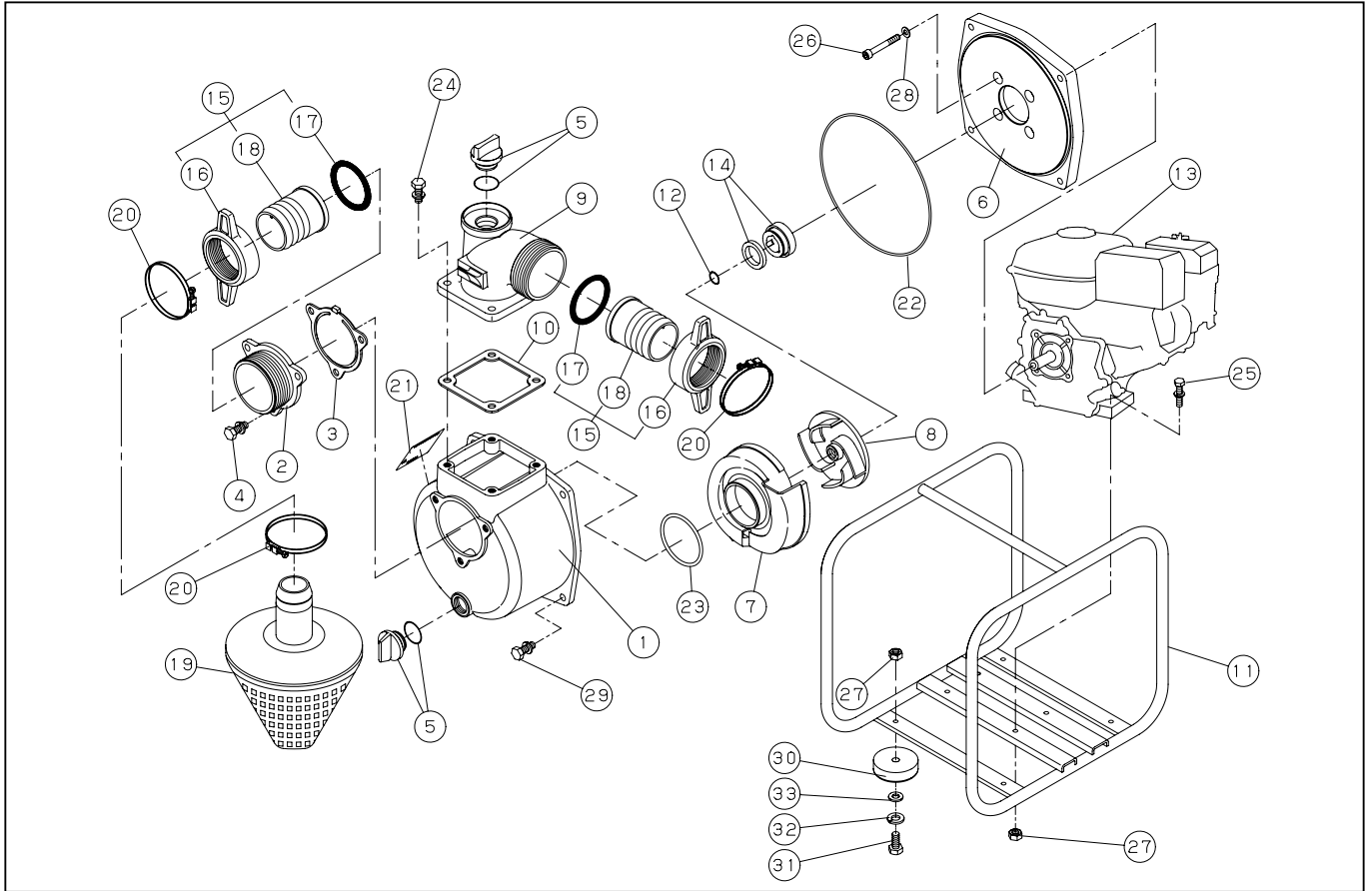


DWG No.066852404 MODEL:SEH-50X (GX120T1WKS) FORM:SEH-50X-BEJ-0

| No. | PARTS CODE | PARTS NAME | QTY | MATERIAL | SIZE | REMARKS |
|-----|------------|---------------------------|-----|------------------|-----------|---------|
| 1 | 011257802 | PUMP CASING | 1 | ADC | | |
| 2 | 011266203 | SUCTION FLANGE | 1 | ADC | | |
| 3 | 011266501 | CHECK VALVE | 1 | NBR | | |
| 4 | 743119045 | HEXAGON BOLT | 3 | SWRM | M8X20 | |
| 5 | 011807802 | 20A PLUG SET | 2 | | | |
| 6 | 011526802 | FLANGE BRACKET | 1 | ADC | | |
| 7 | 011464001 | VOLUTE CASING | 1 | FC | | |
| 8 | 011661601 | IMPELLER | 1 | FC | | |
| 9 | 011055605 | DELIVERY FLANGE | 1 | ADC | | |
| 10 | 011054102 | DELIVERY FLANGE PACKING | 1 | CR | | |
| 11 | 011782801 | BASE SET | 1 | | | |
| 12 | 011551001 | IMPELLER ADJUSTING WASHER | 3 | BSP | | |
| 13 | 011680201 | ENGINE | 1 | HONDA GX120T1WKS | | |
| 14 | 011409001 | MECHANICAL SEAL | 1 | EH790-020 | | |
| 15 | 011702603 | COUPLING SET | 2 | ABS | | |
| 16 | 011339002 | COUPLING | 2 | ABS | | |
| 17 | 011339101 | COUPLING PACKING | 2 | NBR | | |
| 18 | 011035605 | HOSE NIPPLE | 2 | ABS | | |
| 19 | 011815901 | STRAINER SET | 1 | PP | | |
| 20 | 940019060 | HOSE BAND | 3 | | φ 60 | |
| 21 | 011681502 | NAME PLATE | 1 | | | |
| 22 | 011501401 | O-RING | 1 | NBR | 1517-42.5 | |
| 23 | 011279201 | O-RING | 1 | NBR | P54 | |
| 24 | 743119047 | HEXAGON BOLT | 4 | SWRM | M8X25 | |
| 25 | 743119051 | HEXAGON BOLT | 4 | SWRM | M8X35 | |
| 26 | 734532066 | HEXAGON SOCKET BOLT | 4 | SCM | M8X25 | |
| 27 | 827419008 | HEXAGON NUT | 8 | SWRM | M8 | |
| 28 | 854255008 | SEAL WASHER | 4 | | φ 8 | |
| 29 | 743119046 | HEXAGON BOLT | 4 | SWRM | M8X22 | |
| 30 | 011051502 | 50L CUSHION RUBBER | 4 | F-23 | | |

◆ Bare engine can not be supplied

SEH-50X



DWG No.066852404 MODEL:SEH-50X (GX120TIWKS) FORM:SEH-50X-BEJ-0

| No. | PARTS CODE | PARTS NAME | QTY | MATERIAL | SIZE | REMARKS |
|-----|------------|------------------------|-----|----------|-------|---------|
| 31 | 735719148 | HEXAGON BOLT | 4 | | M8X20 | |
| 32 | 843822008 | SPRING WASHER | 4 | | φ 8 | |
| 33 | 846007008 | WASHER | 4 | | φ 8 | |
| | 011681401 | PACKING CASE | 1 | | | |
| | 011695301 | OPERATION MANUAL | 1 | | | |
| | 012049201 | ENGINE CAUTION LABEL A | 1 | | | |
| | 012049301 | ENGINE CAUTION LABEL B | 1 | | | |
| | 011471806 | CE MARK LABEL | 1 | | | |
| | 012049101 | CAUTION LABEL | 1 | | | |
| | 011482008 | DECLARATION | 1 | | | |

◆ Bare engine can not be supplied