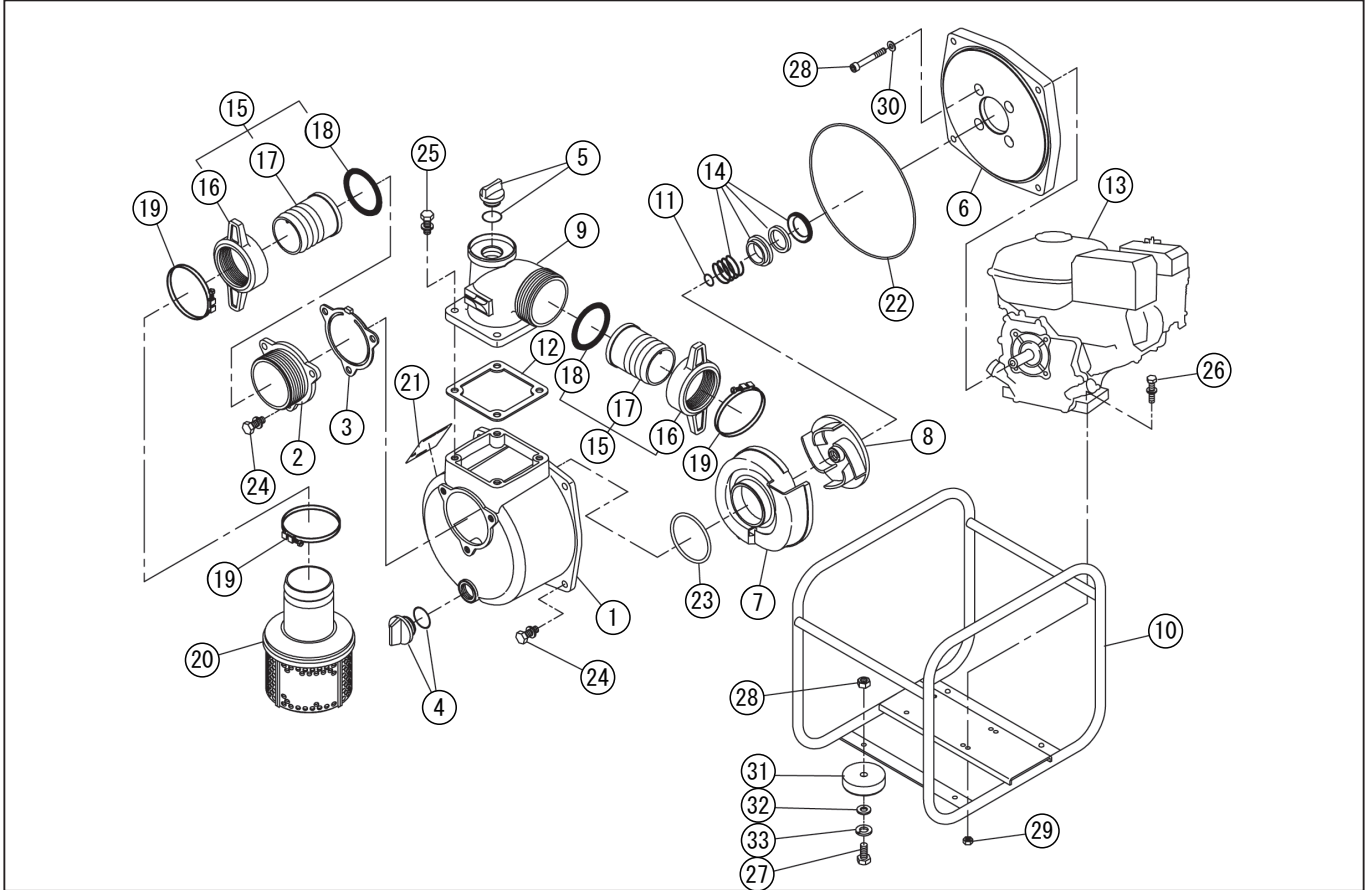


DWG No.066852313 MODEL : SEH-80X FORM : SEH-80X-BDS-2

No.	PARTS CODE	PARTS NAME	QTY	MATERIAL/SIZE	REMARKS
1	012019602	PUMP CASING	1	ADC	
2	011279701	SUCTION FLANGE	1	ADC	
3	011279901	CHECK VALVE	1	NBR	
4	011807802	20A PLUG SET	1		
5	011807901	25A PLUG SET	1		
6	011526902	FLANGE BRACKET	1	ADC	
7	011437902	VOLUTE CASING	1	FC	
8	011661702	IMPELLER	1	FC	
9	011057005	DELIVERY FLANGE	1	ADC	
10	012820902	BASE SET	1		
11	011551001	IMPELLER ADJUSTING WASHER	3	BSP T0.3	
12	011058402	DELIVERY FLANGE PACKING	1	CR	
13	011680702	ENGINE	1	HONDA GX160UT2-WKS	
14	012006201	MECHANICAL SEAL	1	HJ-20(B)	
15	011702802	COUPLING SET	2		
16	011437502	COUPLING	2	ABS	
17	011030105	HOSE NIPPLE	2	ABS	
18	011437801	COUPLING PACKING	2	NBRHS65±5	
19	940019090	HOSE BAND	3	φ 90	
20	011819501	STRAINER SET	1	PP	
21	011680904	NAME PLATE	1		
22	011501501	O-RING	1	1517-46.5 NBR	
23	011398901	O-RING	1	P74 NBR	
24	743119061	HEXAGON BOLT	7	M10X25 SWRM	
25	743119063	HEXAGON BOLT	4	M10X30 SWRM	
26	743119053	HEXAGON BOLT	4	M8X40 SWRM	
27	735719148	HEXAGON BOLT	4	M8X20	
28	734532066	HEXAGON SOCKET BOLT	4	M8X25 SCM	
29	827419008	HEXAGON NUT	8	M8 SWRM	
30	854255008	SEAL WASHER	4	φ 8	

◆ Bare engine can not be supplied



DWG No.066852313 MODEL : SEH-80X FORM : SEH-80X-BDS-2

No.	PARTS CODE	PARTS NAME	QTY	MATERIAL/SIZE	REMARKS
31	011051502	CUSHION RUBBER	4	F-23	
32	846007008	WASHER	4	φ8	
33	843822008	SPRING WASHER	4	φ8	
	011680803	PACKING CASE	1		

◆ Bare engine can not be supplied