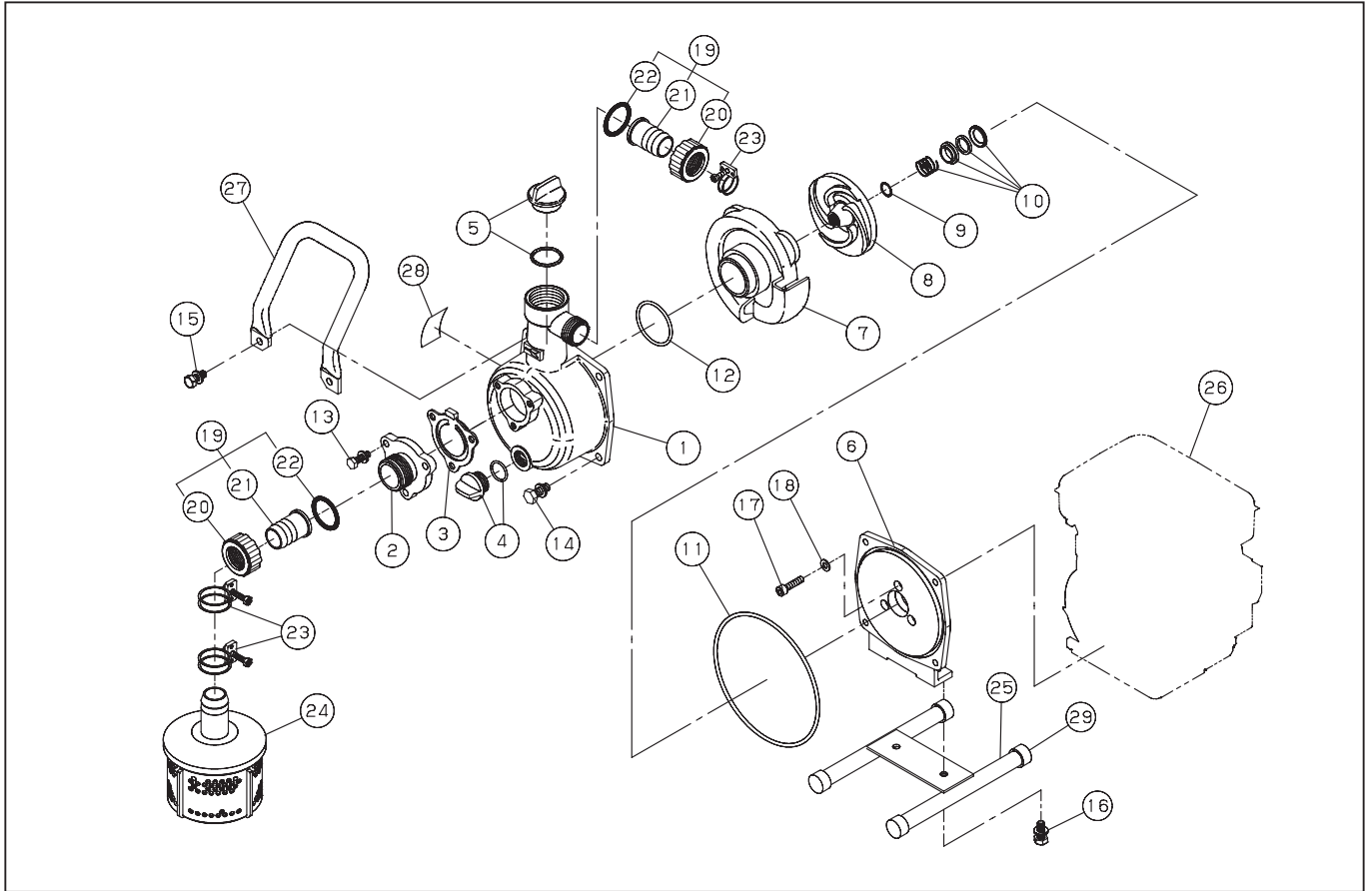


SEM-25L

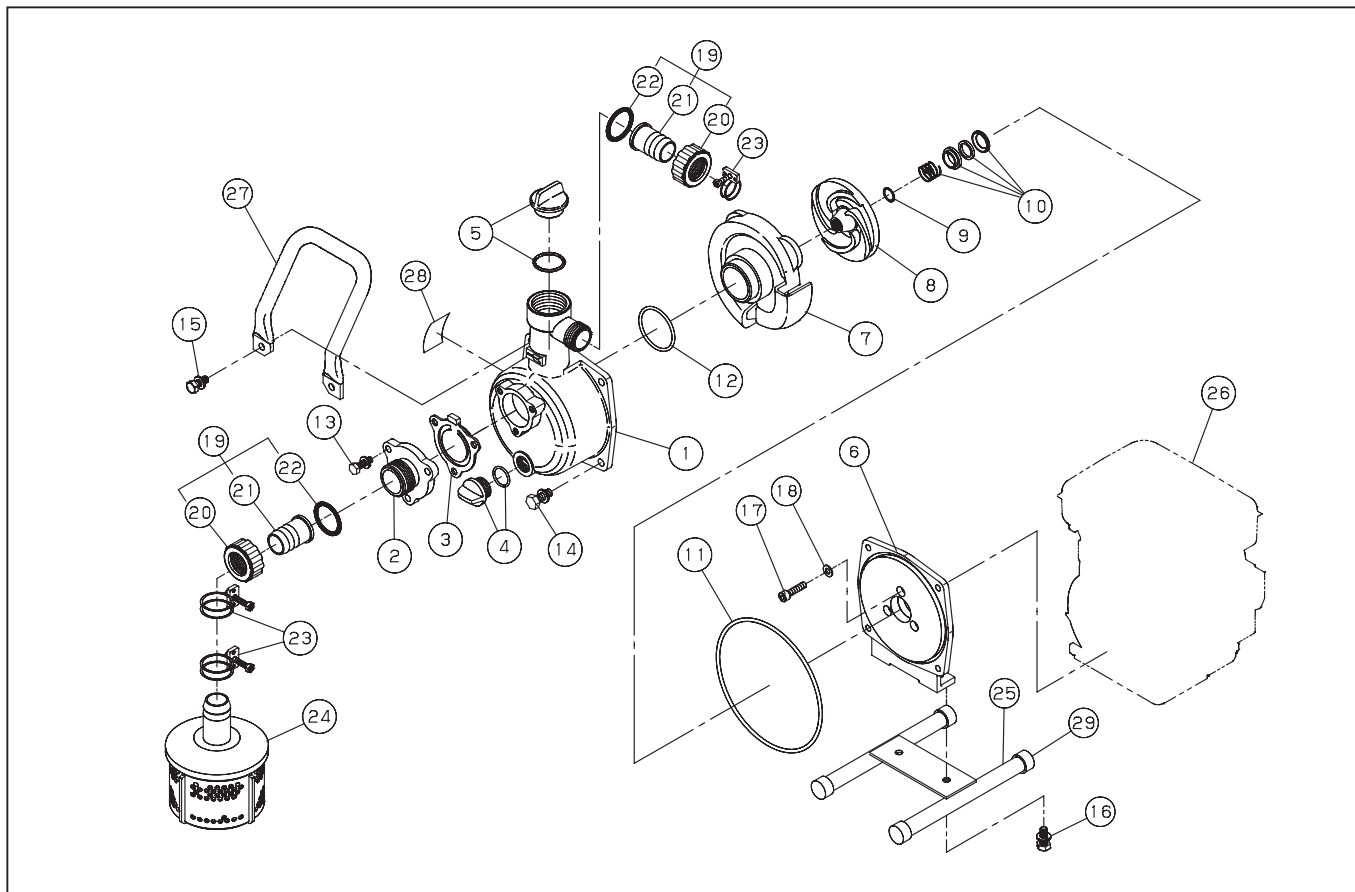


DWG No.012863707 MODEL:SEM-25L (TU26) FORM:SEM-25L-BAB-2

No.	PARTS CODE	PARTS NAME	QTY	MATERIAL	SIZE	REMARKS
1	011332903	PUMP CASING	1	ADC		
2	011332501	SUCTION FLANGE	1	ADC		
3	011332601	CHECK VALVE	1	NBR		
4	014801001	15A PLUG SET	1			
5	011845001	32A PLUG SET	1			
6	011598701	FLANGE BRACKET	1	ADC		
7	011598601	VOLUTE CASING	1	ADC		
8	011598501	IMPELLER	1	ADC		
9	011394401	IMPELLER ADJUSTING WASHER	3	BS		
10	011605402	MECHANICAL SEAL	1			
11	890255031	O-RING	1	NBR	1517-31	
12	889855042	O-RING	1	NBR	P42	
13	743119032	HEXAGON BOLT	3	SWRM	M6X20	
14	743119045	HEXAGON BOLT	2	SWRM	M8X20	
15	743119046	HEXAGON BOLT	2	SWRM	M8X22	
16	743119043	HEXAGON BOLT	2		M8X16	
17	734532274	HEXAGON SOCKET BOLT	3		M5X40	
18	854255005	SEAL WASHER	3		φ 5	
19	034812402	COUPLING SET	2		25mm	
20	034078101	COUPLING	2	ABS		
21	034078201	HOSE NIPPLE	2	ABS		
22	034006501	COUPLING PACKING	2	CR		
23	940019032	HOSE BAND	3		φ 32	
24	011819301	STRAINER SET	1			
25	011826703	BASE SET	1	BLACK		
26	012128901	ENGINE	1	TU26MPD-814		
27	011427705	HANDLE	1	STKM		
28	011606704	NAME PLATE	1			
29	011257602	PIPE RUBBER	4	NBR		
	011483604	OPERATION MANUAL	1			

◆ Bare engine can not be supplied

SEM-25L



DWG No.012863707 MODEL:SEM-25L (TU26) FORM:SEM-25L-BAB-2

No.	PARTS CODE	PARTS NAME	QTY	MATERIAL	SIZE	REMARKS
	011606801	PACKING CASE	1			
	011476001	ENGINE CAUTION LABEL C	1			
	011476101	ENGINE CAUTION LABEL D	1			
	011476201	ENGINE CAUTION LABEL E	1			
	011474102	CAUTION LABEL	1			
	011471806	CE MARK LABEL	1			
	011488408	DECLARATION FORM	1			
	011641301	EU NOISE LABEL (110)	1			

◆ Bare engine can not be supplied