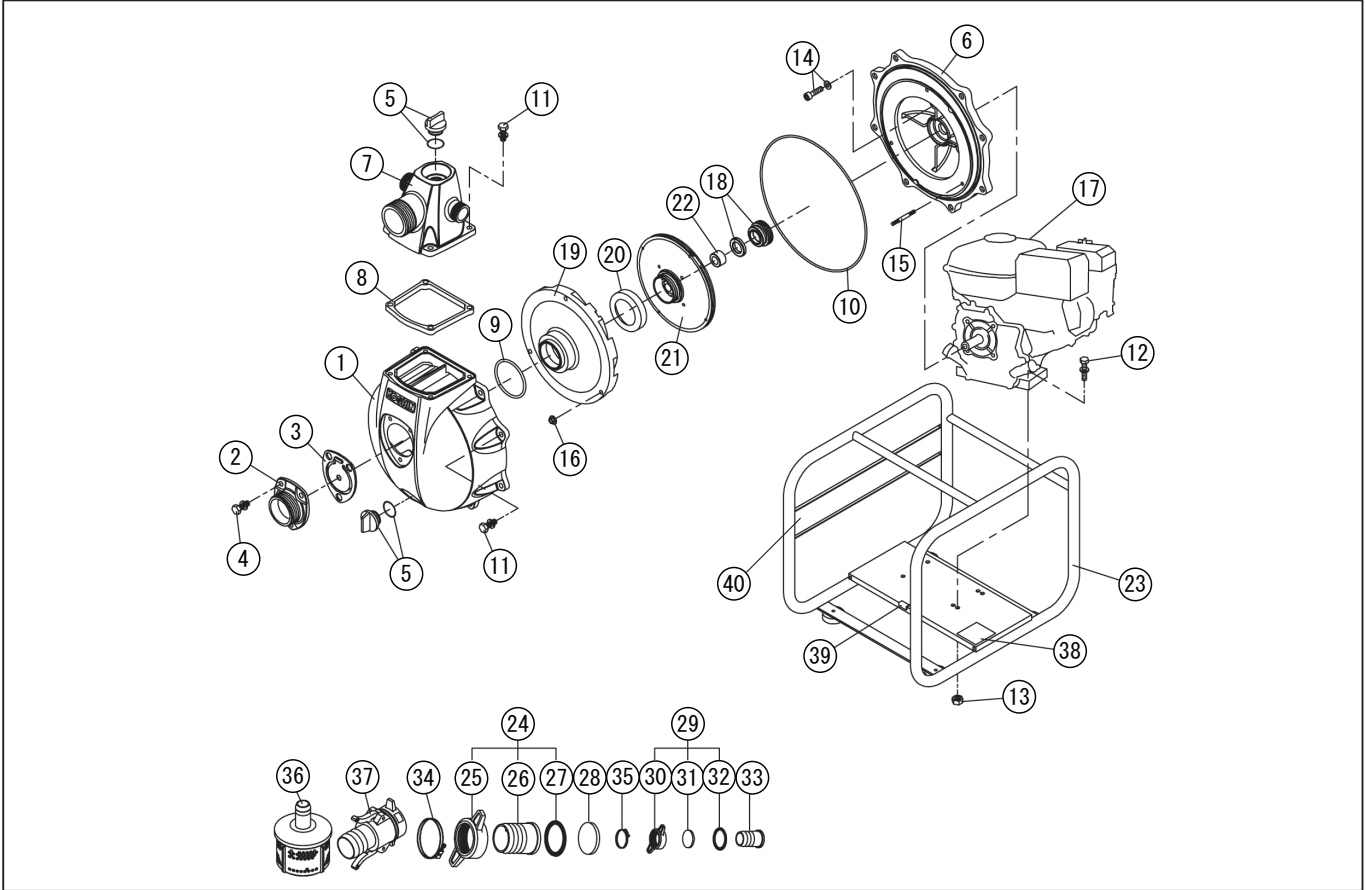


DWG No.012893403 MODEL:SERM-50V FORM:SERM-50V-BAA-0

No.	PARTS CODE	PARTS NAME	QTY	MATERIAL/SIZE	REMARKS
1	0120393	PUMP CASING	1	ADC	
2	0120394	SUCTION FLANGE	1	ADC	
3	0120398	CHECK VALVE	1	NBR	
4	743119045	HEXAGON BOLT	3	M8×20 SWRM	
5	0118078	20A PLUG SET	2		
6	0120396	FLANGE BRACKET	1	ADC	
7	0120395	DELIVERY FLANGE	1	ADC	
8	0120399	DELIVERY FLANGE PACKING	1	NBR	
9	889855056	O-RING	1	NBR P56	
10	0115016	O-RING	1	1517-51.5 NBR	
11	743119047	HEXAGON BOLT	12	M8×25 SWRM	
12	743119053	HEXAGON BOLT	4	M8×40 SWRM	
13	827419008	HEXAGON NUT	4	M8 SWRM	
14	0120437	HEXAGON SOCKET BOLT	4	SCM M8×30×S22	
15	0120438	STUD BOLT	3	M6×46(12/12) SUS	
16	0120439	PLATE SPRING NUT	3	M6SUS	
17	0120442	ENGINE	1	mitsubishi GM182PN-74C	
18	0120389	MECHANICAL SEAL	1	φ 20	
19	0120390	VOLUTE CASING	1	FC	
20	0120397	WEARING	1		
21	0117990	IMPELLER ASSY	1	FC	
22	0120448	IMPELLER BUSH	1	S45C	
23	0117992	BASE SET	1		
24	0117041	COUPLING SET	1	ADC+ADC+NBR	
25	0110355	COUPLING	1	ADC	
26	0112453	HOSE NIPPLE	1	ADC	
27	0110766	CAM LOCK BODY PACKING	2	NBR	
28	0120486	SEALING PLATE(50)	1		
29	0118009	SEALING COUPLING ASSY(25)	2	ADC	
30	0110422	COUPLING	2	ADC	

◆ Bare engine can not be supplied



DWG No.012893403 MODEL:SERM-50V FORM:SERM-50V-BAA-0

No.	PARTS CODE	PARTS NAME	QTY	MATERIAL/SIZE	REMARKS
31	0120485	SEALING PLATE(25)	2		
32	0110192	COUPLING PACKING	2	NBR	
33	0110423	25 HOSE NIPPLE	2	ADC	
34	940019060	HOSE BAND	3	φ 60	
35	940019032	HOSE BAND	2	φ 32	
36	0118047	STRAINER SET	1		
37	0118357	QUICK COMPLING ASSY	1		
38	0120457	NAME PLATE	1		
39	0120471	RUBBER SHEET	1		
40	0120456	PLATE LABEL	1		
	0120453	PACKING CASE	1		

◆ Bare engine can not be supplied